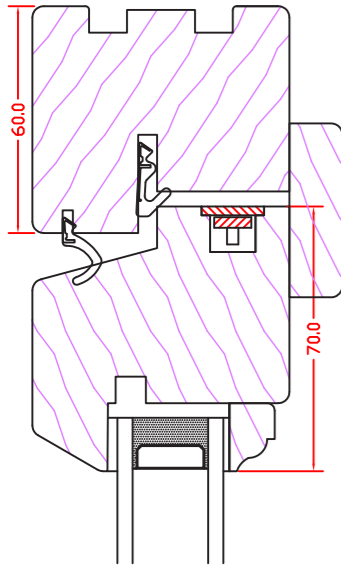
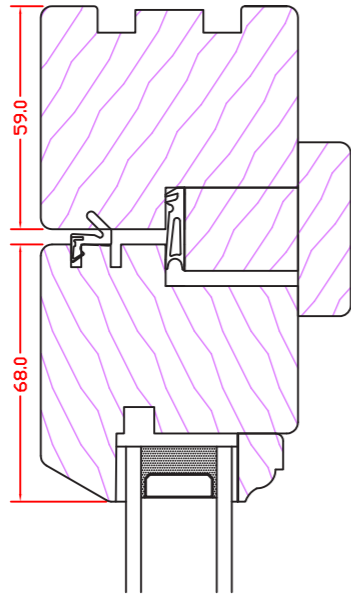


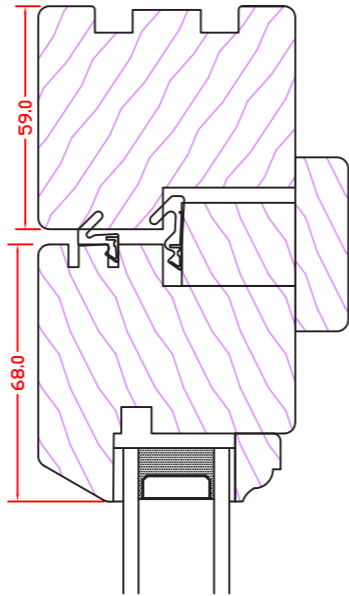
**Vertical Section**



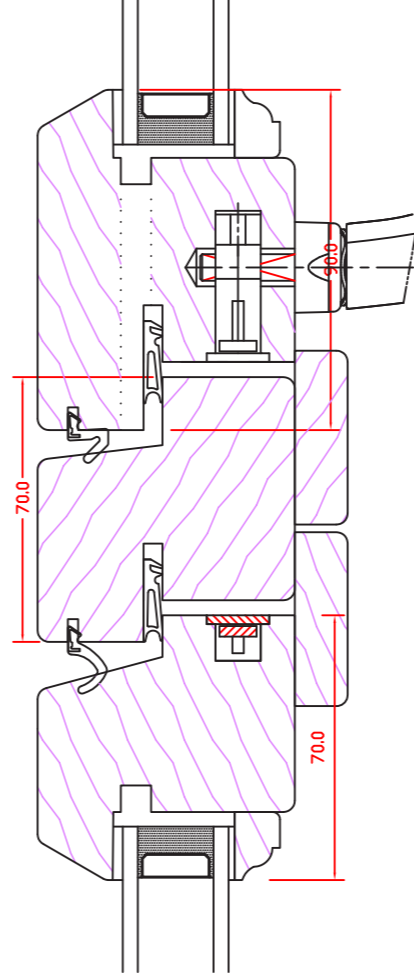
**Horizontal Section (Lower)**



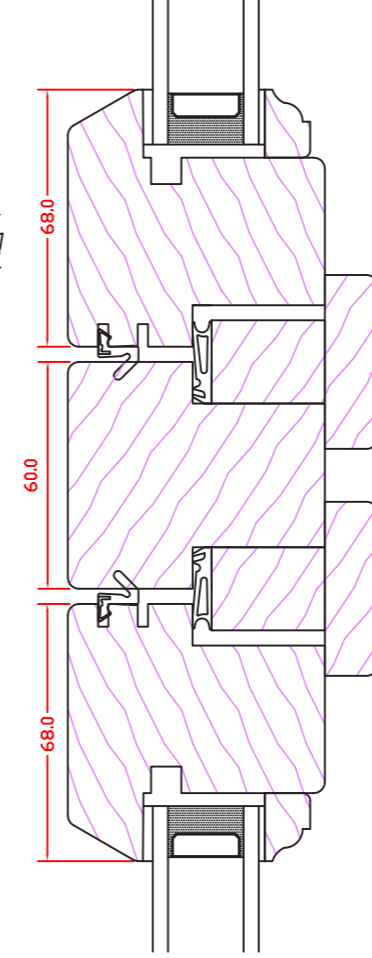
**Horizontal Section (Upper)**



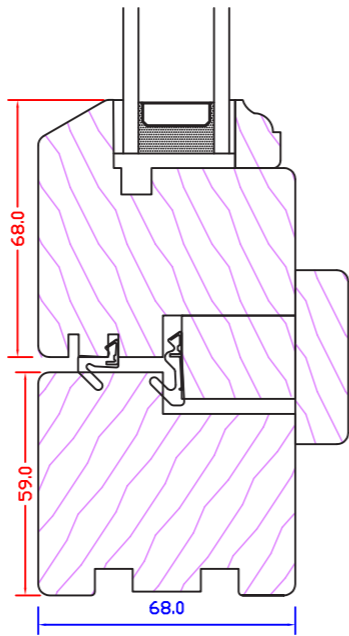
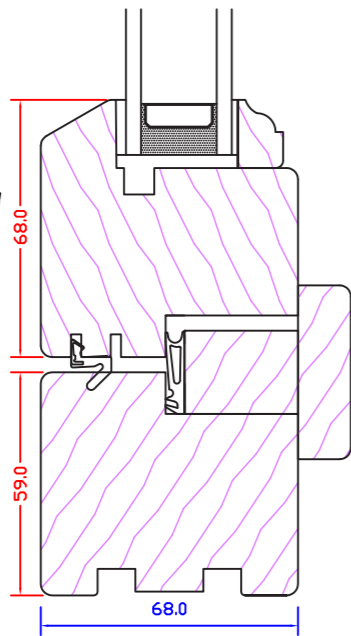
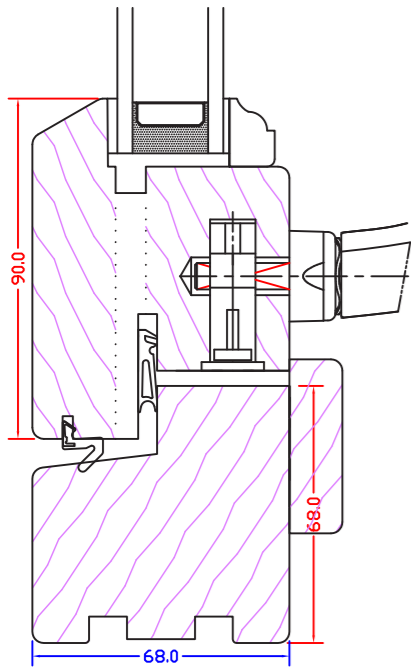
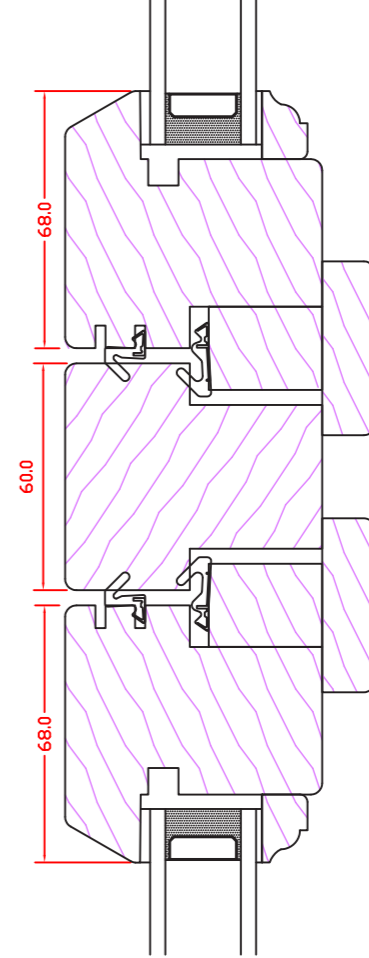
**Transom Section**



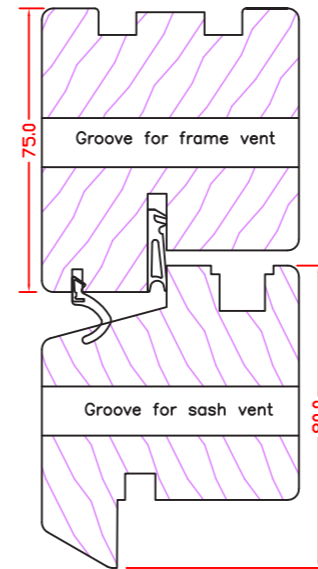
**Mullion Section (Lower)**



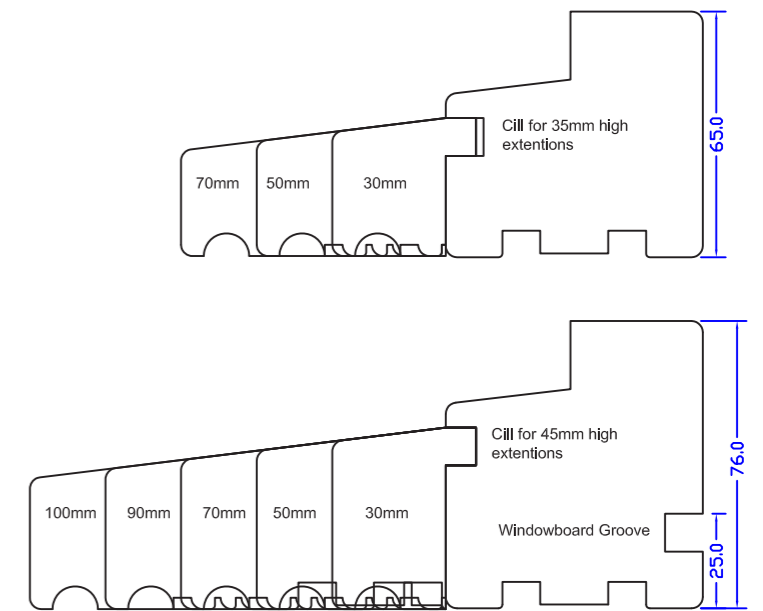
**Mullion Section (Upper)**



**Vent options**



**Plant on Cill Options**



See separate data sheet for sash bead, upstand, glass details & direct glazing.

**Architectural Details**

<b>Pivot Window</b>	
<b>68mm Frame</b>	
Drawing No	P1-68-AD-02
Sheet	1 of 1
Scale	1:2 on A3
Drawn by	SCW
Date	14/04/2011
Approved by	TW

**GEORGE BARNSDALE**  
ESTABLISHED 1884

High Street, Donington, Spalding,  
Lincolnshire. PE11 4TA.

Fixed Dimension Adjustable Dimension