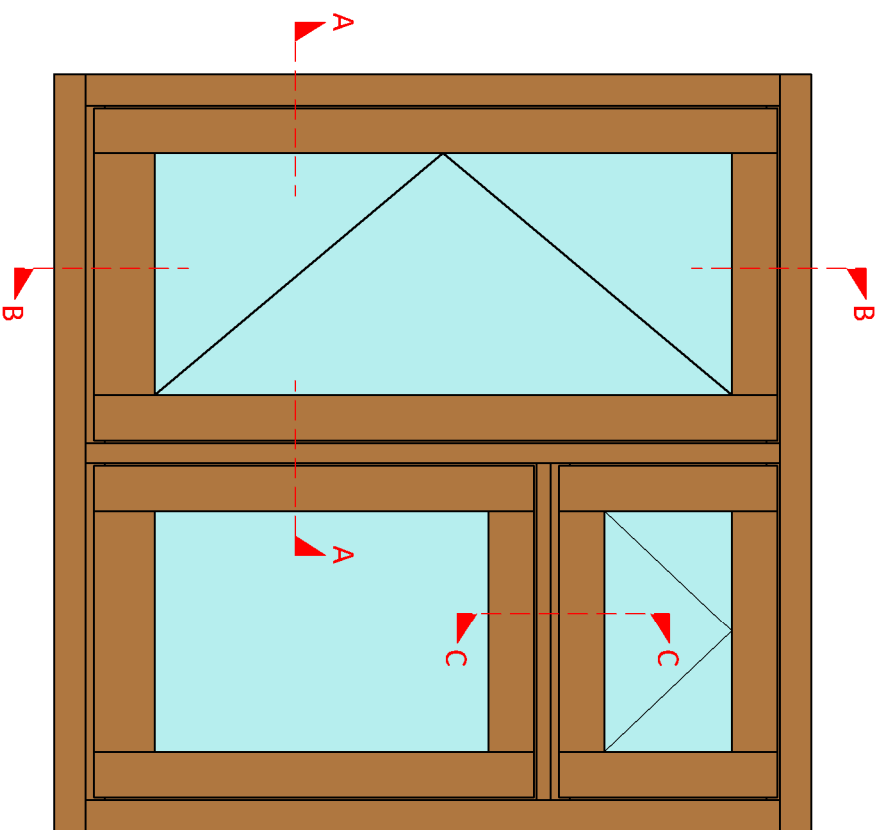
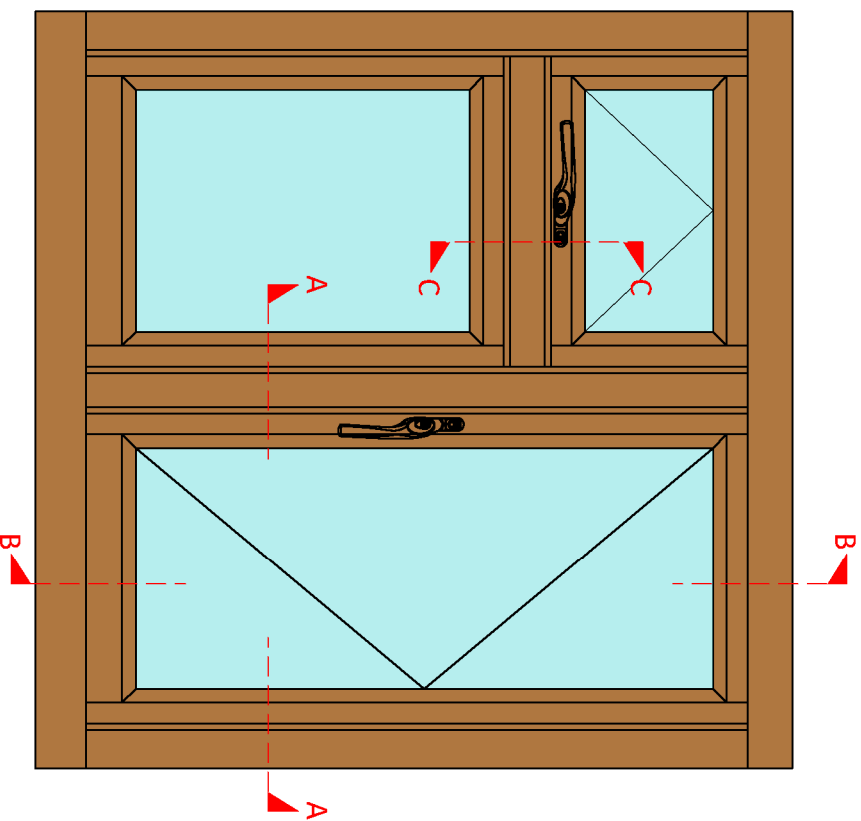


ELEVATIONS (Scale 1:10)

Elevation 1 - Outside View

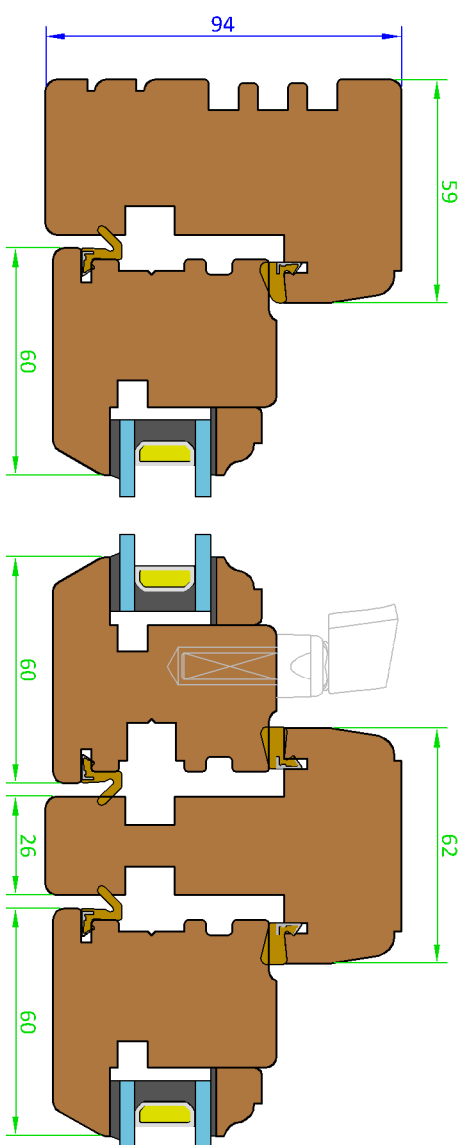


Elevation 2 - Inside View

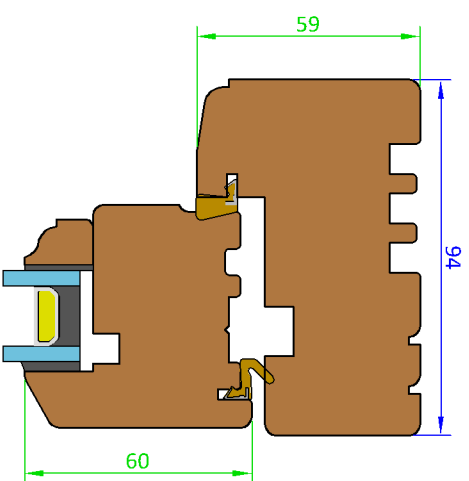


SECTIONS (Scale 1:10)

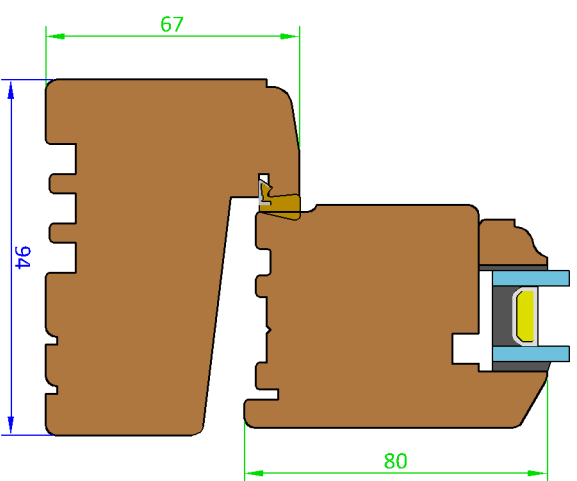
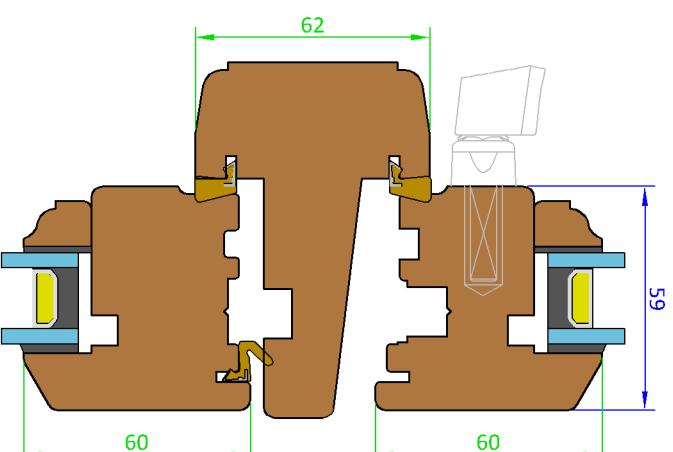
Section A-A - Jamb and Mullion



Section B-B - Head and Cill



Section C-C - Transome



Tolerances: All tolerances are to George Barnsdale Standard Tolerance definitions (see supporting document for more detail) unless stated on the drawing.
 © George Barnsdale & Sons Ltd. All rights reserved. No part of this drawing may be reproduced without the permission of George Barnsdale & Son Ltd.

Variable Dimensions
 (Dim shown is usually min)

Fixed Dimensions

Title: Architects Details - C3-AD C3 Flush Casement Window			
Scale: As Shown	Date: 02-Jul-14	Sheet No: 1 of 4	Rev: 0
Drawn: LRP	Approved:		

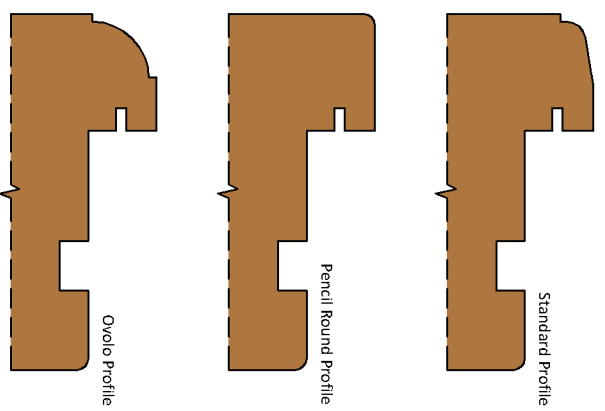


High Street, Donington, Spalding, Lincs, PE11 4TA.
 T: 01775 823000 F: 01775 823010
 enquiries@georgebarnsdale.co.uk
 www.georgebarnsdale.co.uk

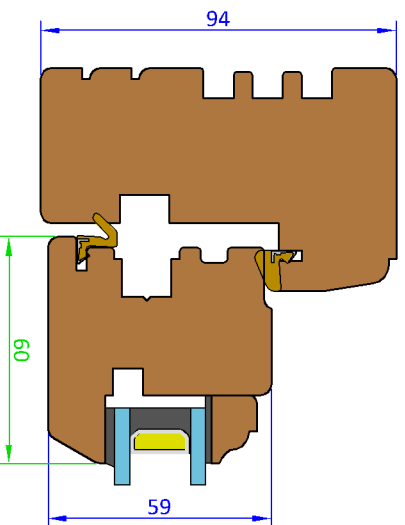
OPTIONS (Scale 1:2)

Frame and Sash Options

Frame Inside Options - 94mm

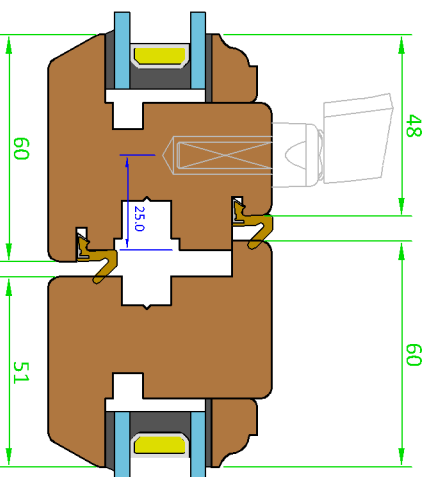


Sash Options - 59mm

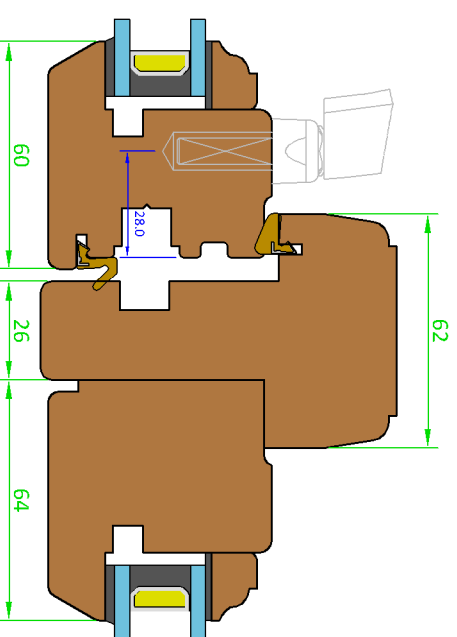


French Window

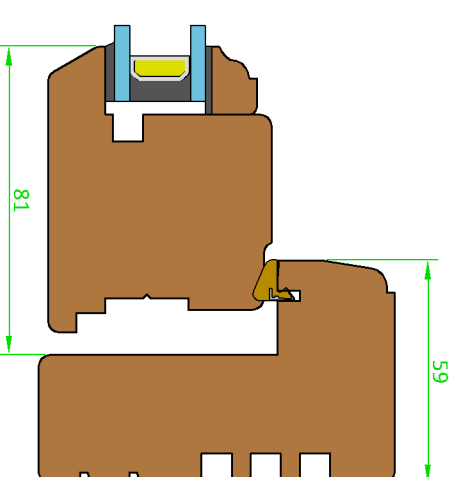
Needs to be at least 500mm wide to be a fire escape window



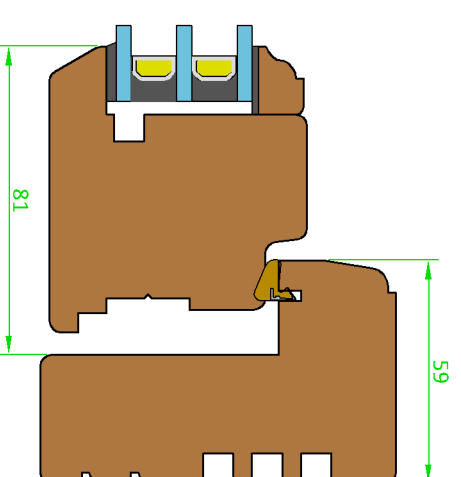
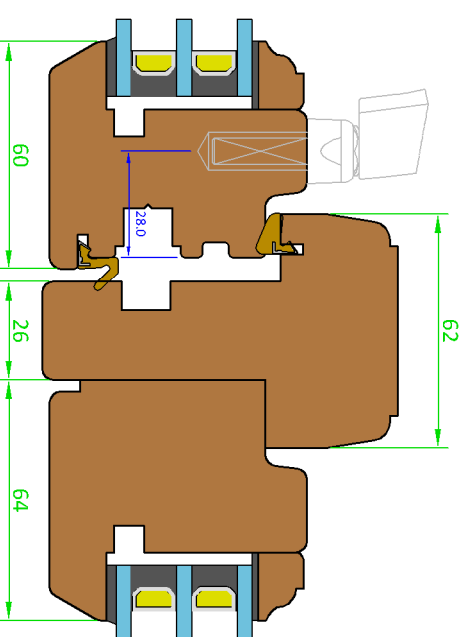
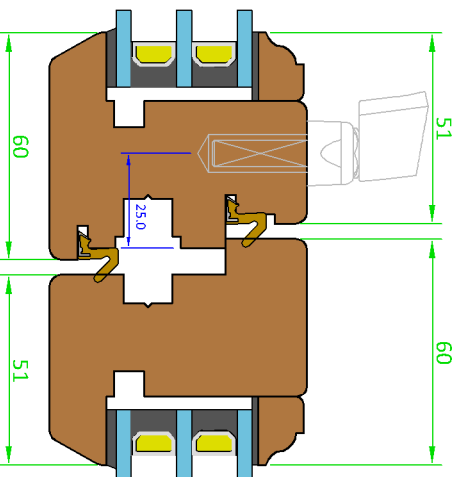
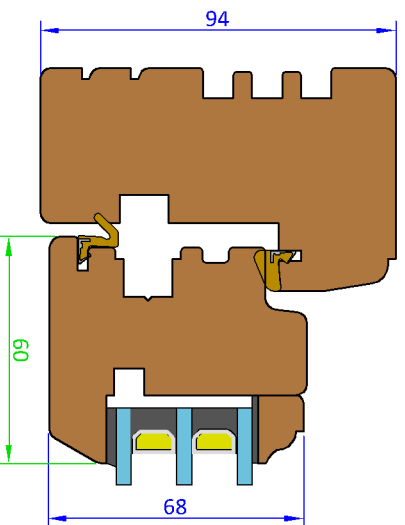
False Mullion Option



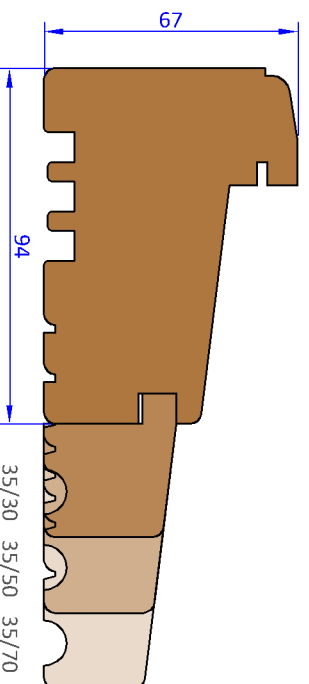
Heavy Duty Option



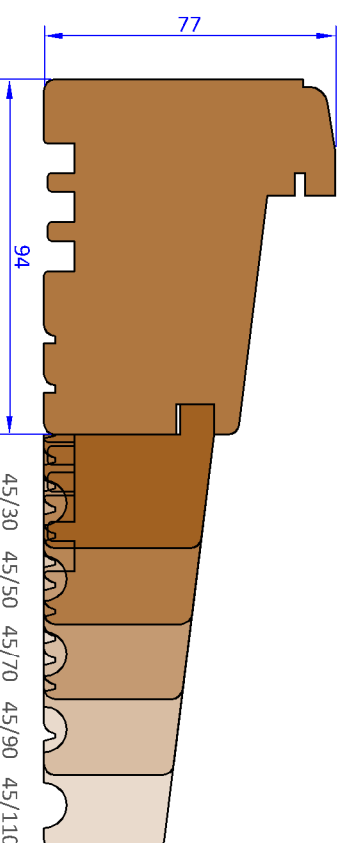
Sash Options - 68mm



Cill Extension Options - 35mm



Cill Extension Options - 45mm



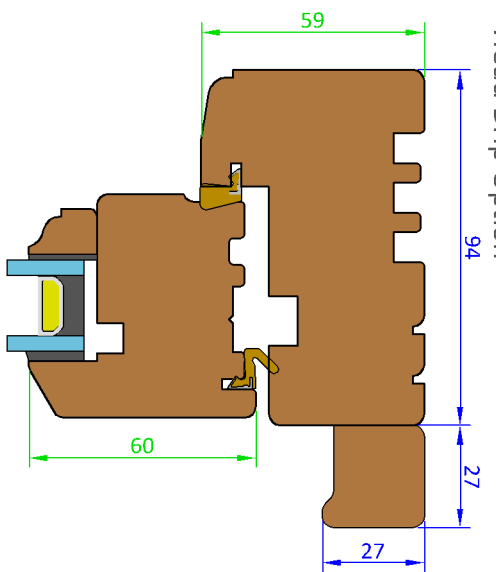
Variable Dimensions
(Dim shown is usually min)

Fixed Dimensions

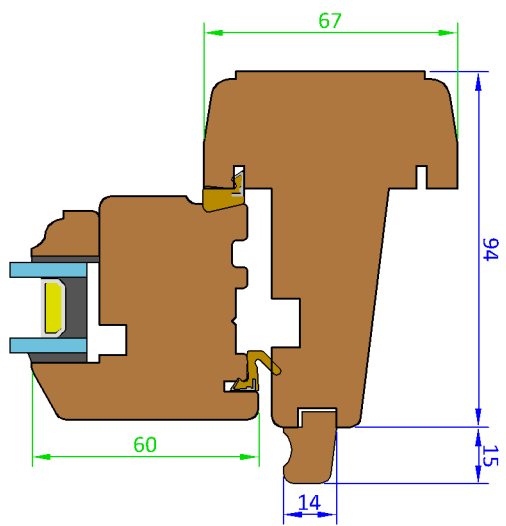
Title: Architects Details - C3-AD C3 Flush Casement Window			
Scale: As Shown	Date: 02-Jul-14	Sheet No: 2 of 4	
Drawn: LRP	Approved:	Rev: 0	

GEORGE BARNSDALE
ESTABLISHED 1884

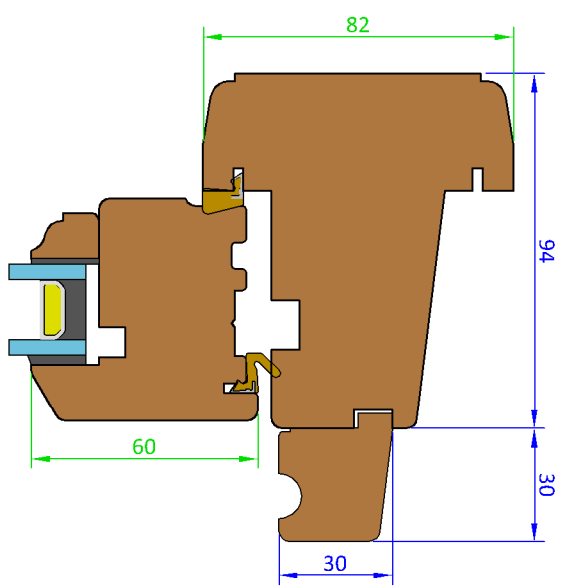
Head Drip Option



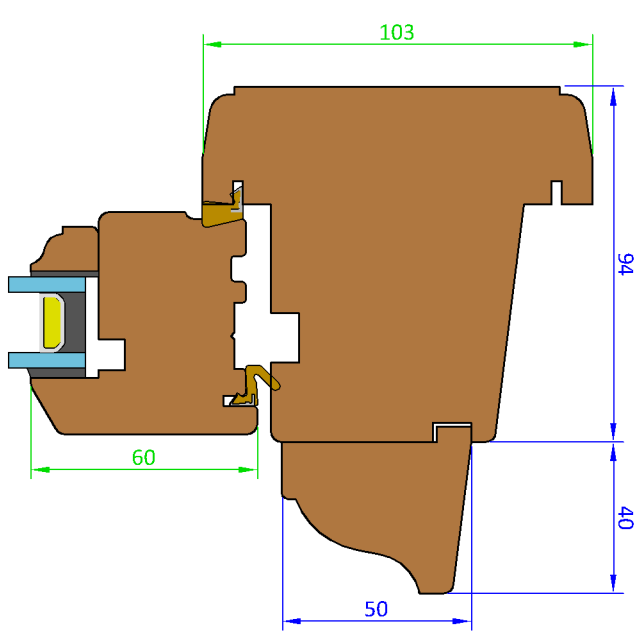
Transome Drip Option 1



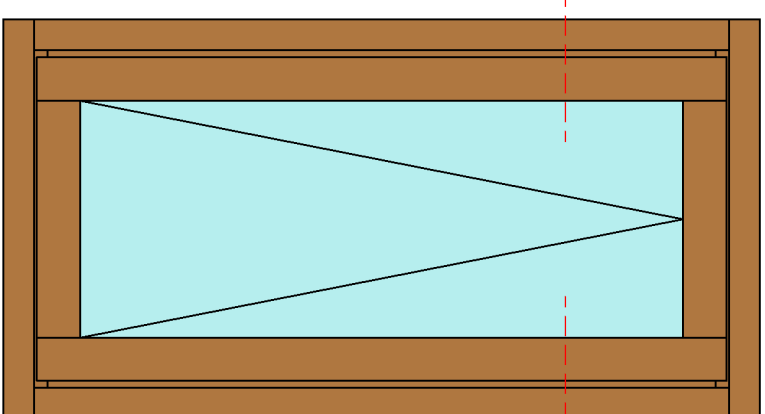
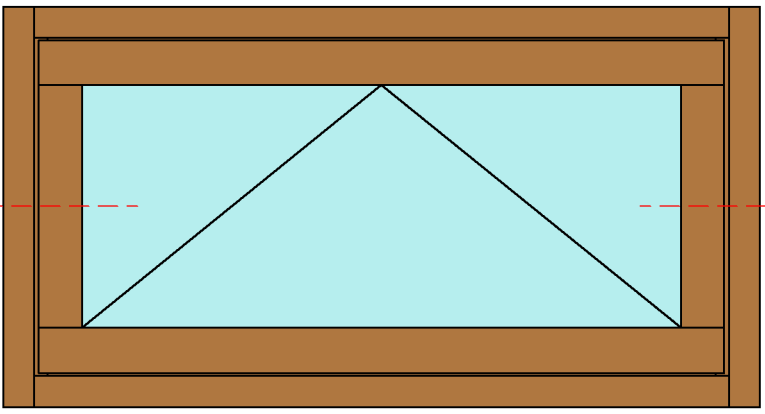
Transome Drip Option 2



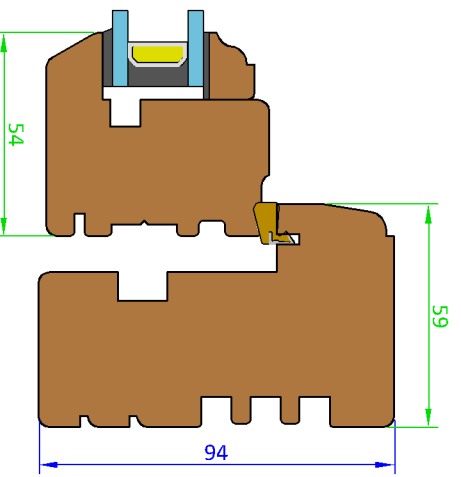
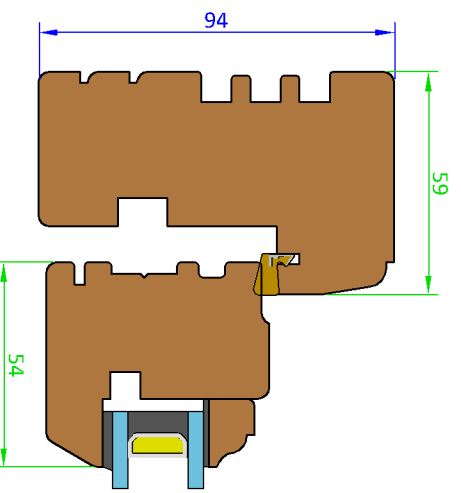
Transome Drip Option 3



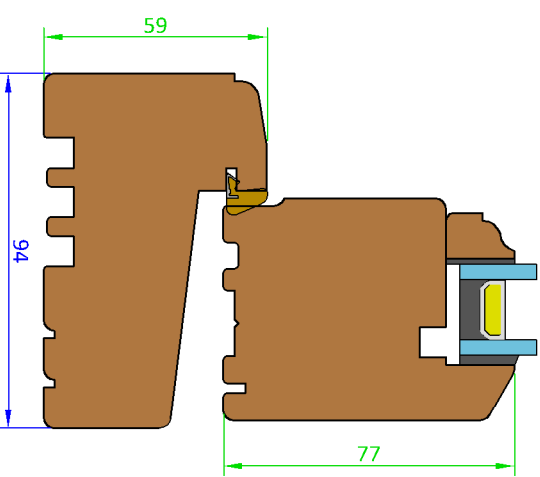
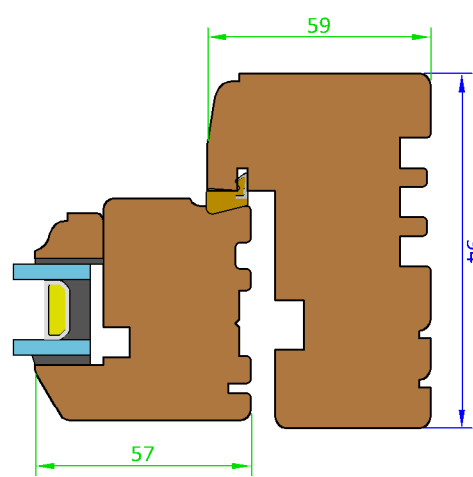
Reversible Hinge Option



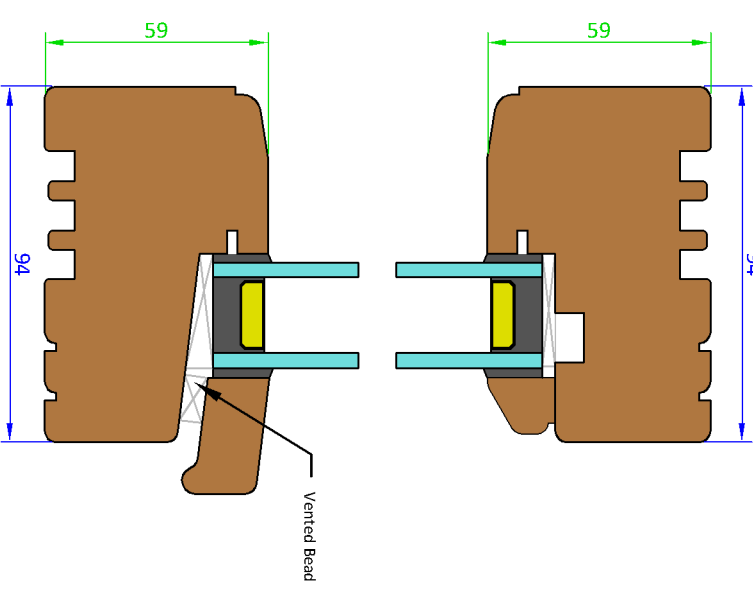
Top Hung 180° - Reverse Rail - Section A-A



Side Hung 180° - Reverse Rail - Section B-B



Direct Glazed Options



Tolerances: All tolerances are to George Barnsdale Standard Tolerance definitions (see supporting document for more detail) unless stated on the drawing.
 © George Barnsdale & Sons Ltd. All rights reserved. No part of this drawing may be reproduced without the permission of George Barnsdale & Son Ltd.

Variable Dimensions
 (Dim shown is usually min)

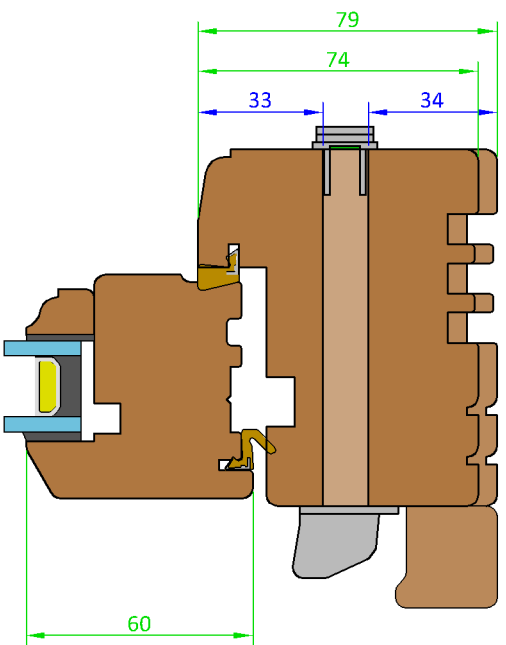
Fixed Dimensions

Title: Architects Details - C3-AD C3 Flush Casement Window			
Scale: As Shown	Date: 02-Jul-14	Sheet No: 3 of 4	Rev: 0
Drawn: LRP	Approved:		

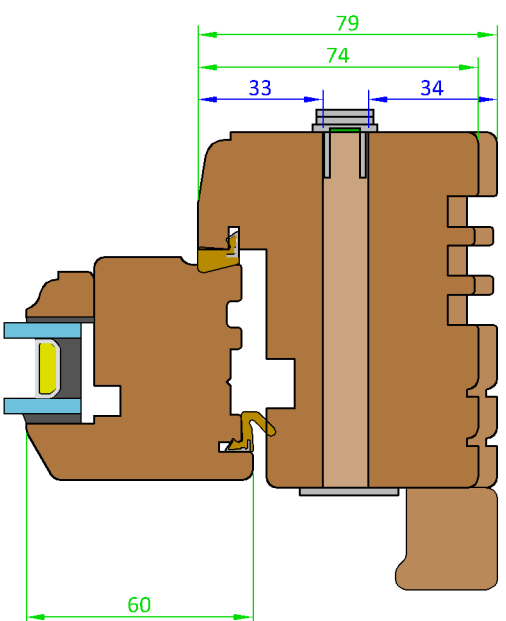


High Street, Donington, Spalding, Lincs, PE11 4TA.
 T: 01775 823000 F: 01775 823010
 enquiries@georgebarnsdale.co.uk
 www.georgebarnsdale.co.uk

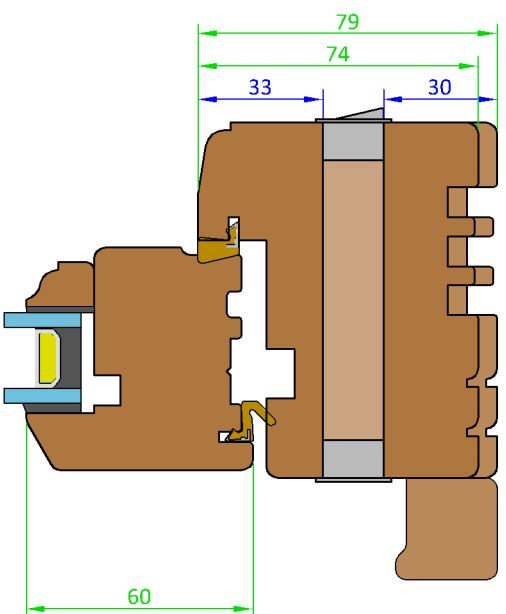
Frame Vent Type 1 (Slide In/Canopy Out)



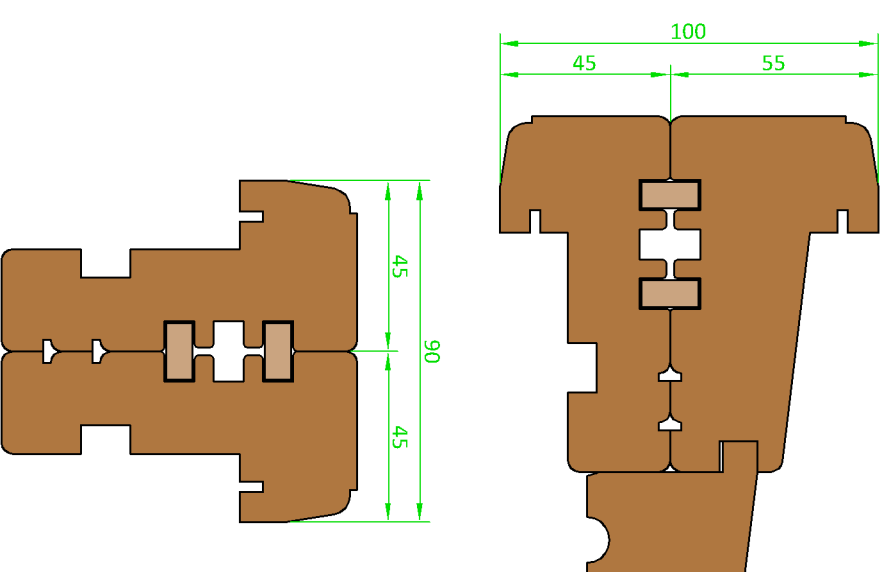
Frame Vent Type 2 (Slide In/Grille Out)



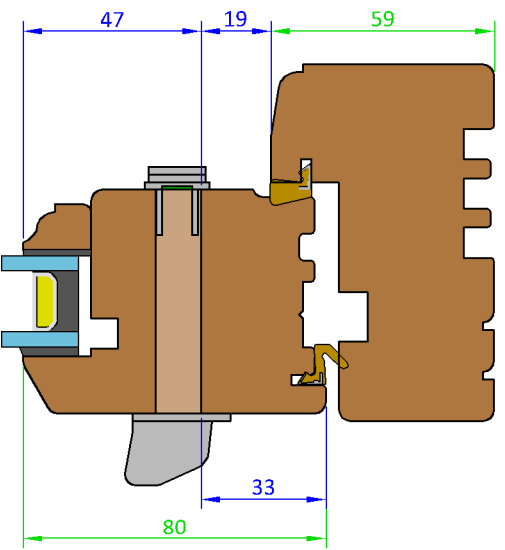
Frame Vent Type 3 (Flush)



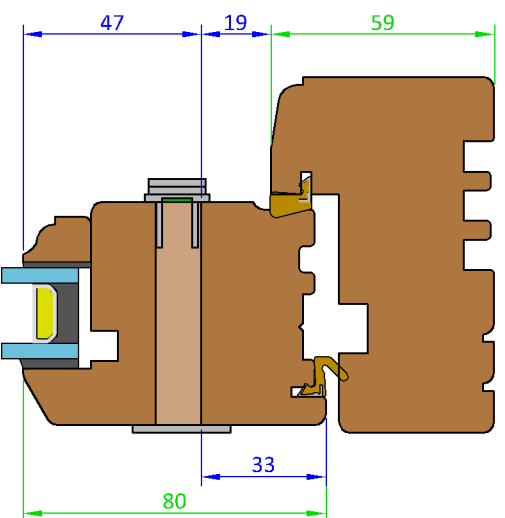
Frame Connection Options



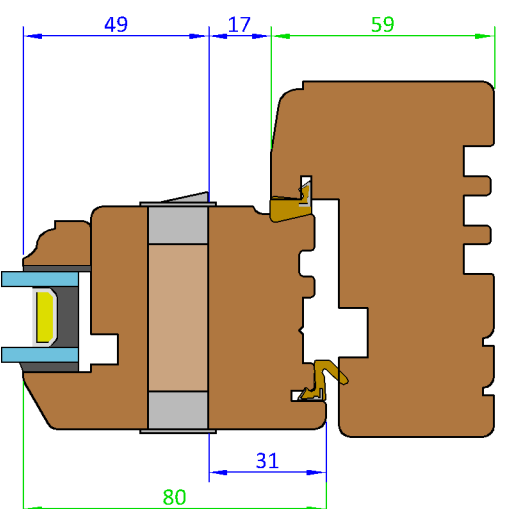
Sash Vent Type 1 (Slide In/Canopy Out)



Sash Vent Type 2 (Slide In/Grille Out)



Sash Vent Type 3 (Flush)



Title:

Architects Details - C3-AD
C3 Flush Casement Window

Scale: As Shown Date: 02-Jul-14 Sheet No: 4 of 4

Drawn: LRP Approved: Rev: 0

GEORGE BARNSDALE
ESTABLISHED 1884

High Street, Donington, Spalding, Lincs, PE11 4TA.
T: 01775 823000 F: 01775 823010
enquiries@georgebarnsdale.co.uk
www.georgebarnsdale.co.uk

Variable Dimensions
(Dim shown is usually min)

Fixed Dimensions