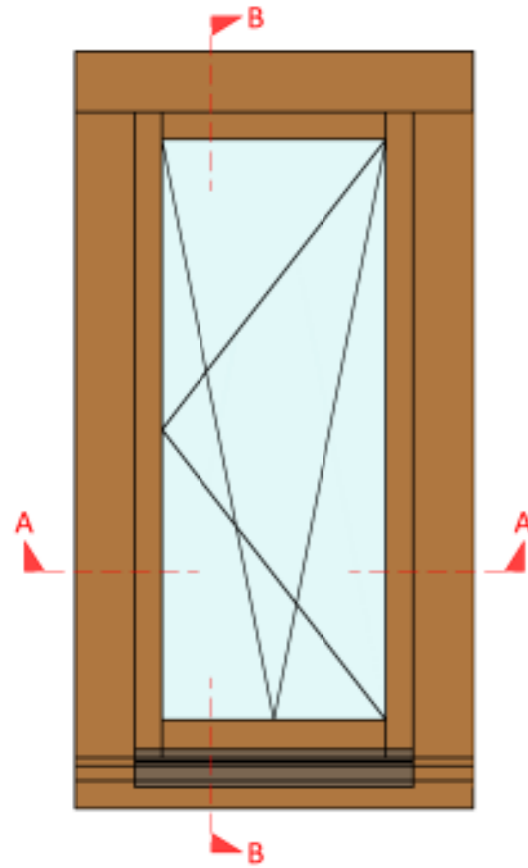
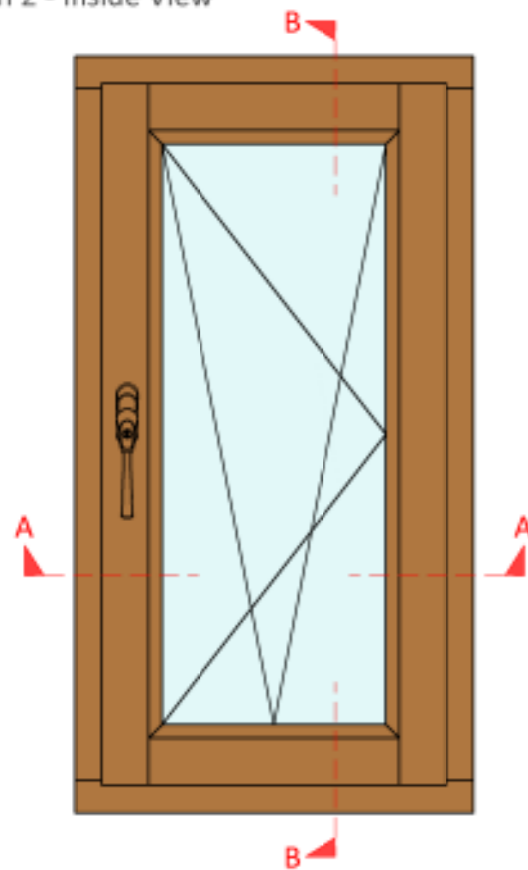


ELEVATIONS

Elevation 1 - Outside View

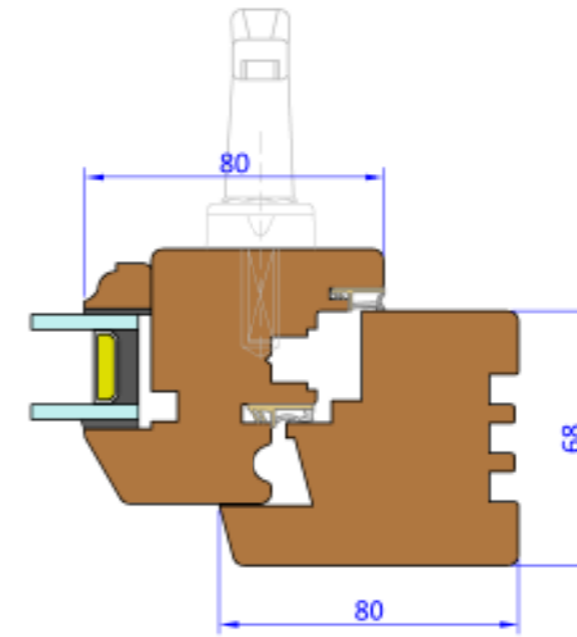
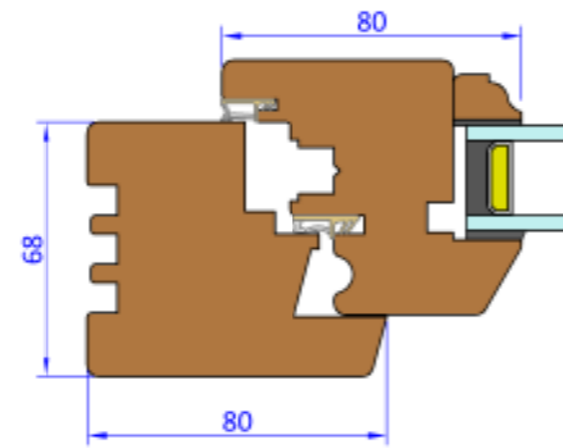


Elevation 2 - Inside View

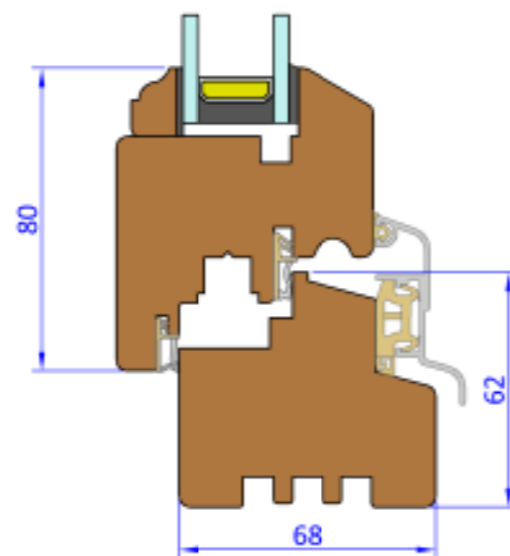
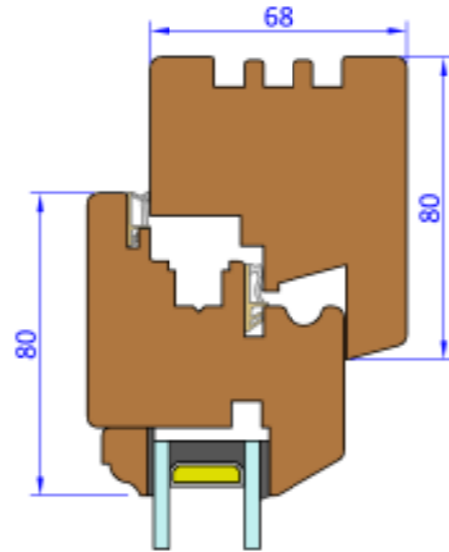


SECTIONS

Section A-A - Jamb Details



Section B-B - Head and cill



Tolerances: All tolerances are to George Barnsdale Standard Tolerance definitions (see supporting document for more detail) unless stated on the drawing.
© George Barnsdale & Sons Ltd. All rights reserved. No part of this drawing may be reproduced without the permission of George Barnsdale & Son Ltd.

— Variable Dimensions
— Fixed Dimensions

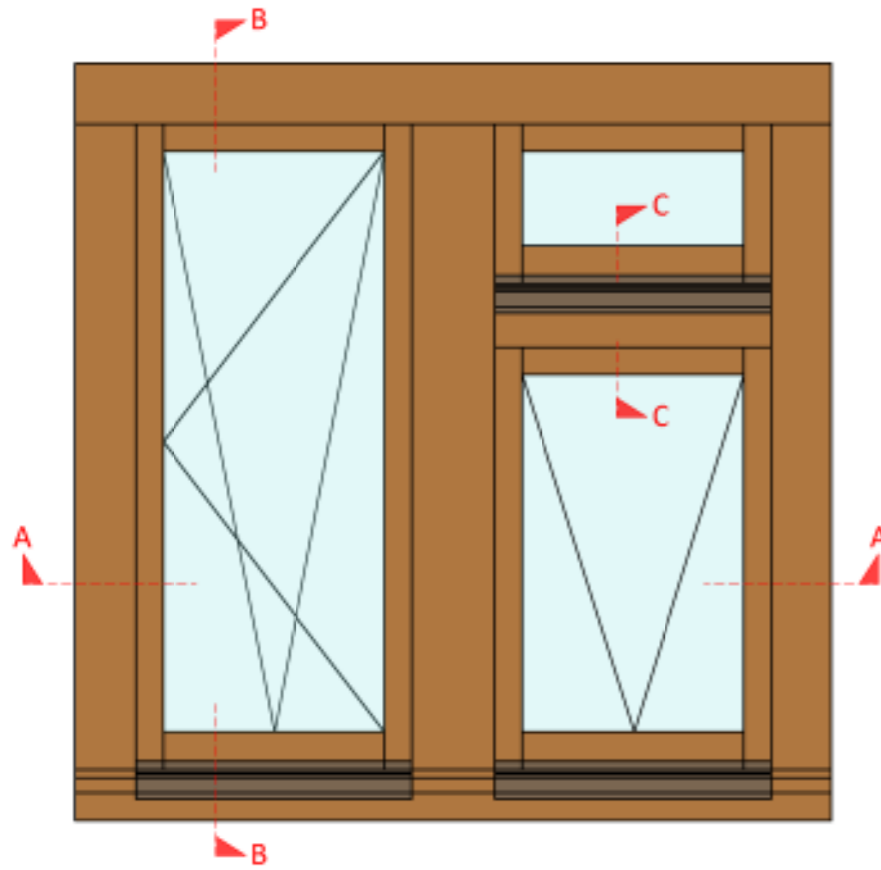
Title:		
E1 - Tilt and Turn Architects Details - E1-AD		
Scale:	Date:	Sheet No:
As Shown	02/07/2014	1 of 5
Drawn:	Approved:	Rev:
LRP		0

GEORGE BARNSDALE
ESTABLISHED 1884

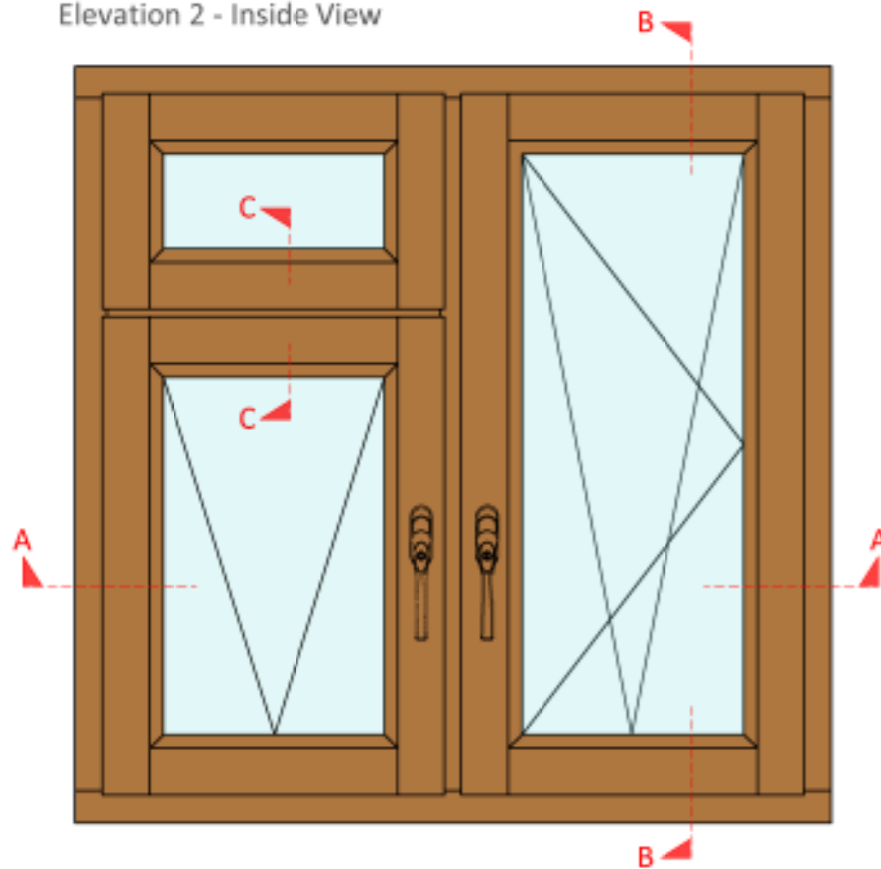
High Street, Dorington, Spalding, Lincs. PE11 4TA.
T: 01775 823000 F: 01775 823010
enquiries@georgebarnsdale.co.uk
www.georgebarnsdale.co.uk

ELEVATIONS

Elevation 1 - Outside View

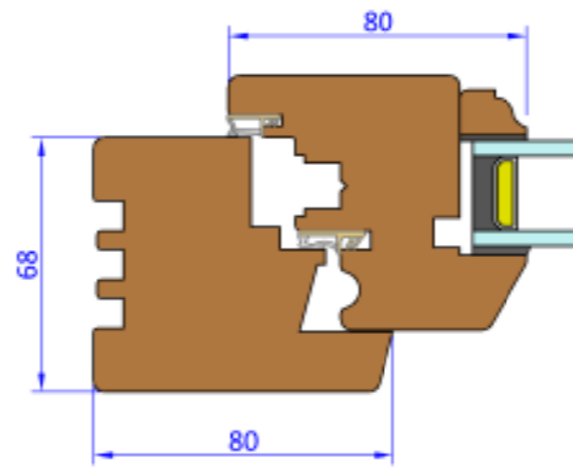


Elevation 2 - Inside View

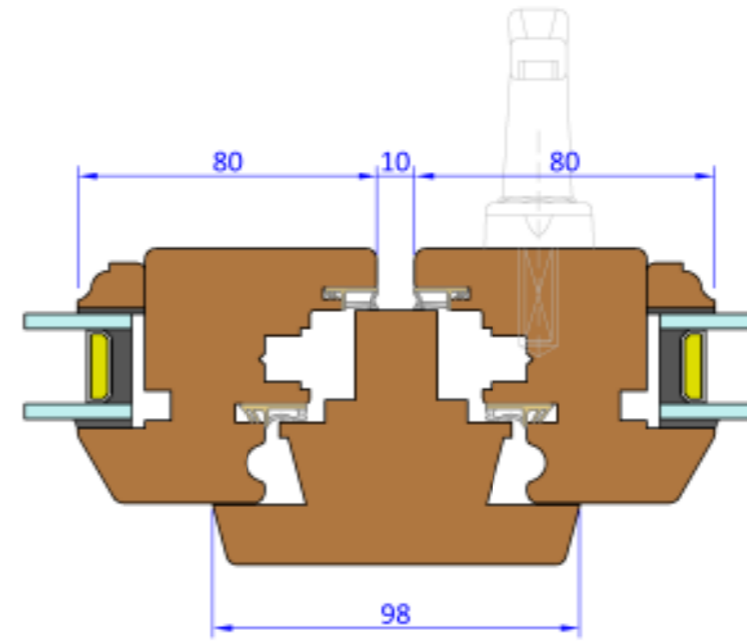
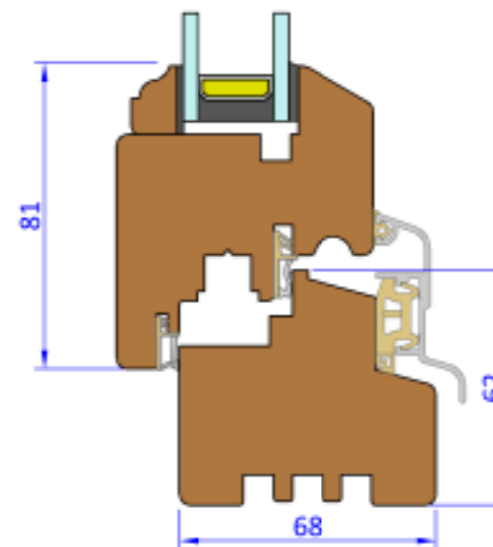
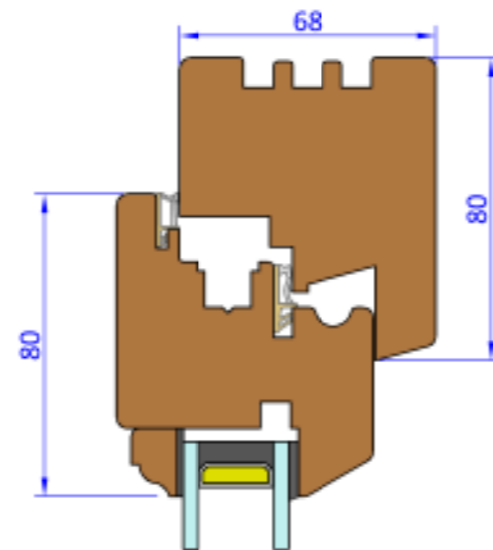


SECTIONS

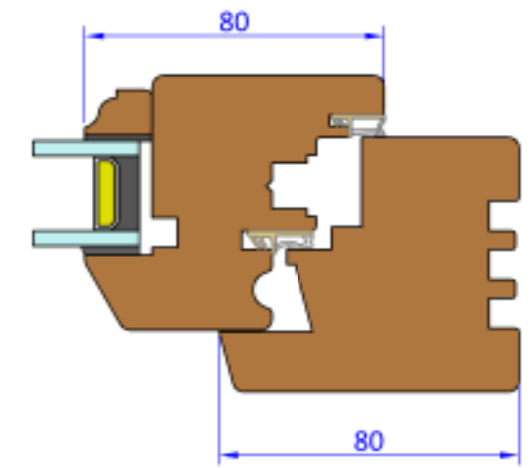
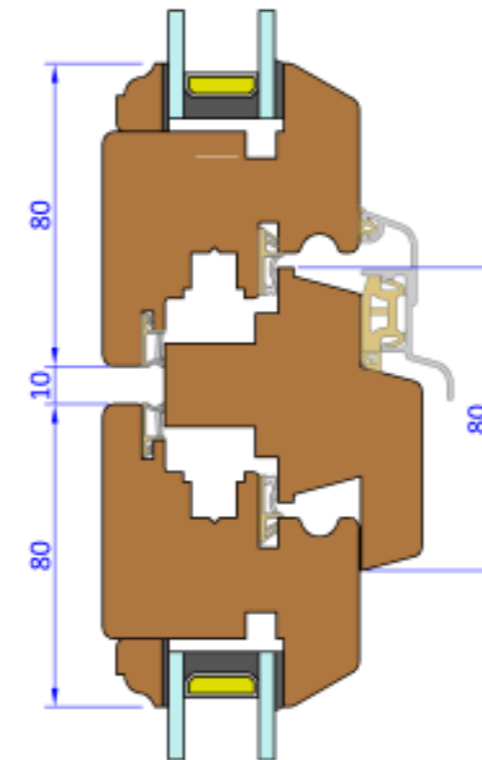
Section A-A - Jamb and mullion



Section B-B - Head and Cill Detail



Section C-C - Transom Detail



Tolerances: All tolerances are to George Barnsdale Standard Tolerance definitions (see supporting document for more detail) unless stated on the drawing.
© George Barnsdale & Sons Ltd. All rights reserved. No part of this drawing may be reproduced without the permission of George Barnsdale & Son Ltd.

Variable Dimensions
Fixed Dimensions

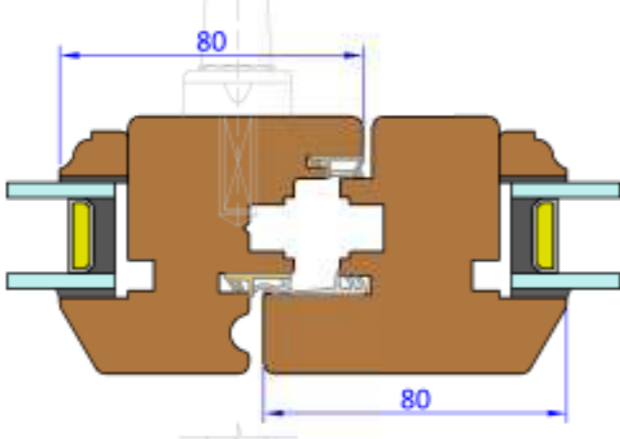
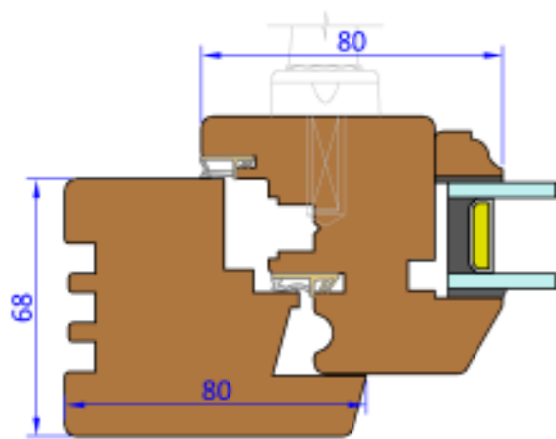
Title:			E1 - Tilt and Turn Architects Details - E1-AD		
Scale:	As Shown	Date:	02/07/2014	Sheet No:	2 of 5
Drawn:	LRP	Approved:		Rev:	0

GEORGE BARNSDALE
ESTABLISHED 1884

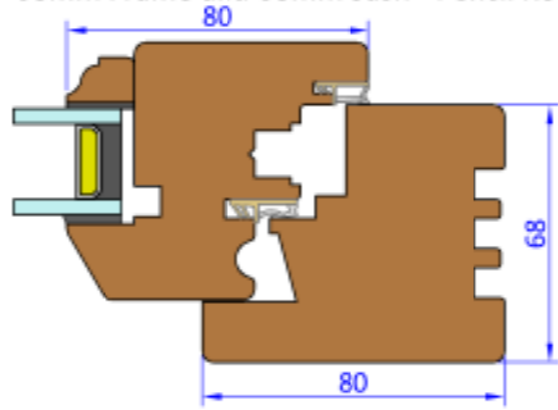
High Street, Dorington, Spalding, Lincs. PE11 4TA.
T: 01775 823000 F: 01775 823010
enquiries@georgebarnsdale.co.uk
www.georgebarnsdale.co.uk

FRAME AND SASH OPTIONS

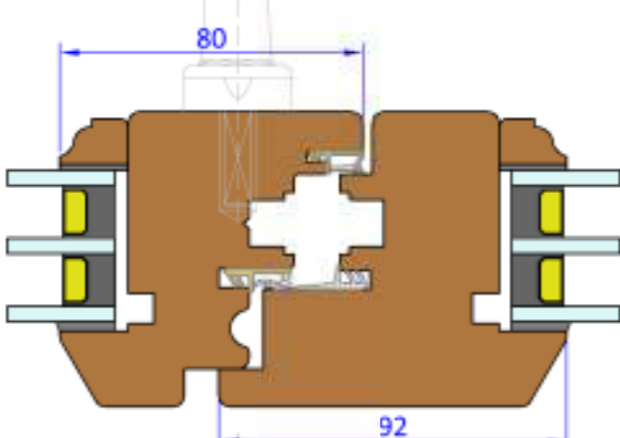
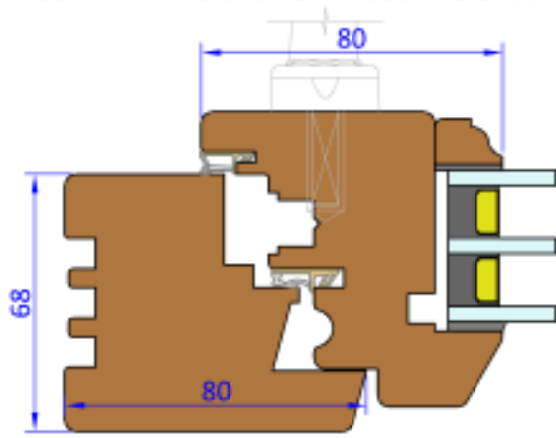
68mm Frame and 68mm Sash - Standard Profiles



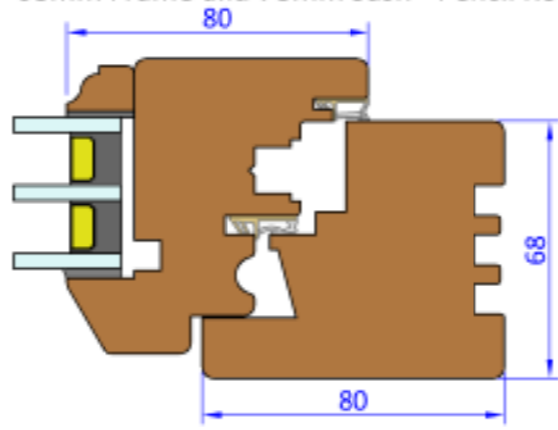
68mm Frame and 68mm Sash - Pencil Round Profiles



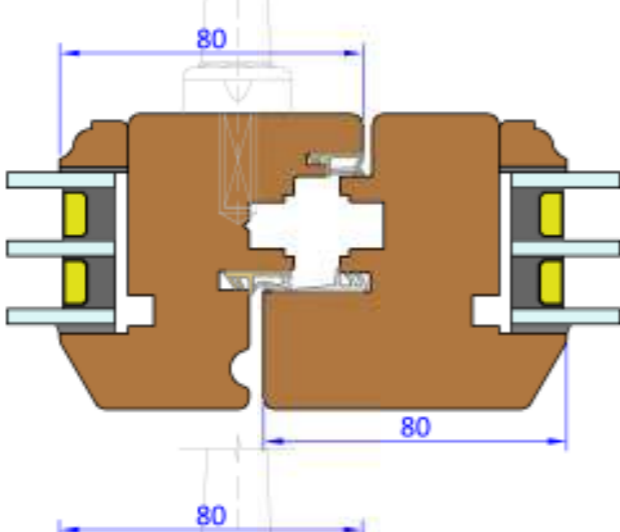
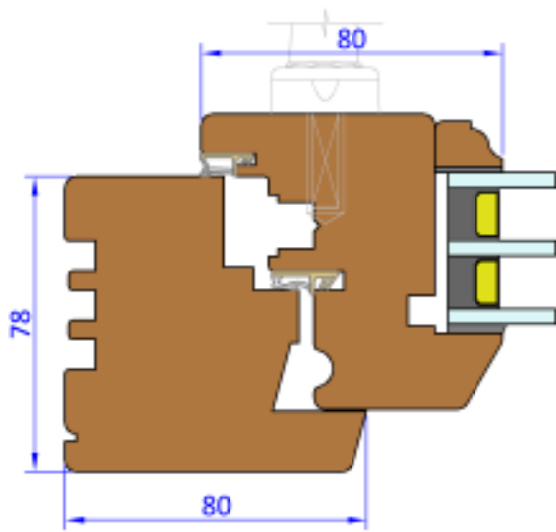
68mm Frame and 78mm Sash - Standard Profiles



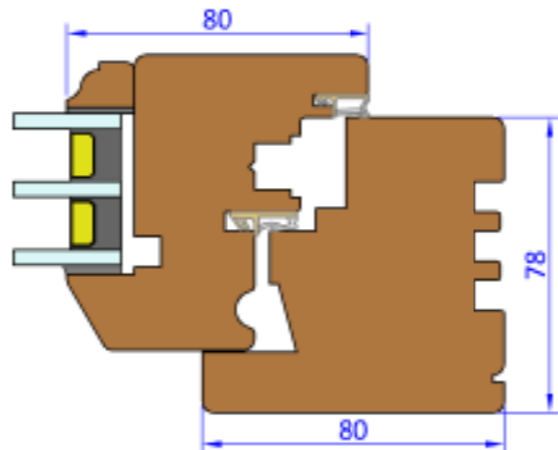
68mm Frame and 78mm Sash - Pencil Round Profiles



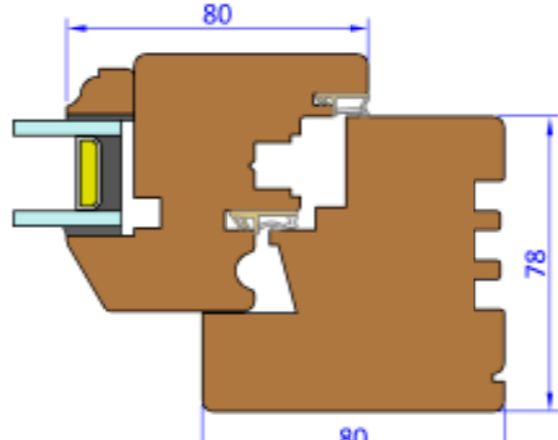
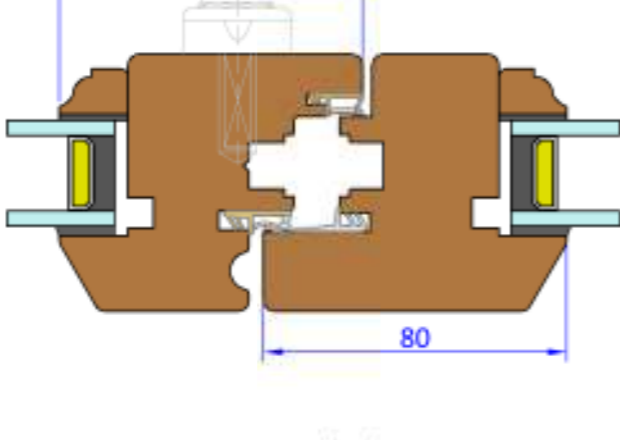
78mm Frame and 78mm Sash - Standard Profiles



78mm Frame and 78mm Sash - Pencil Round Profiles



78mm Extended Frame and 68mm Sash - Pencil Round Profiles



Tolerances: All tolerances are to George Barnsdale Standard Tolerance definitions (see supporting document for more detail) unless stated on the drawing.
 © George Barnsdale & Sons Ltd. All rights reserved. No part of this drawing may be reproduced without the permission of George Barnsdale & Son Ltd.

Variable Dimensions
 Fixed Dimensions

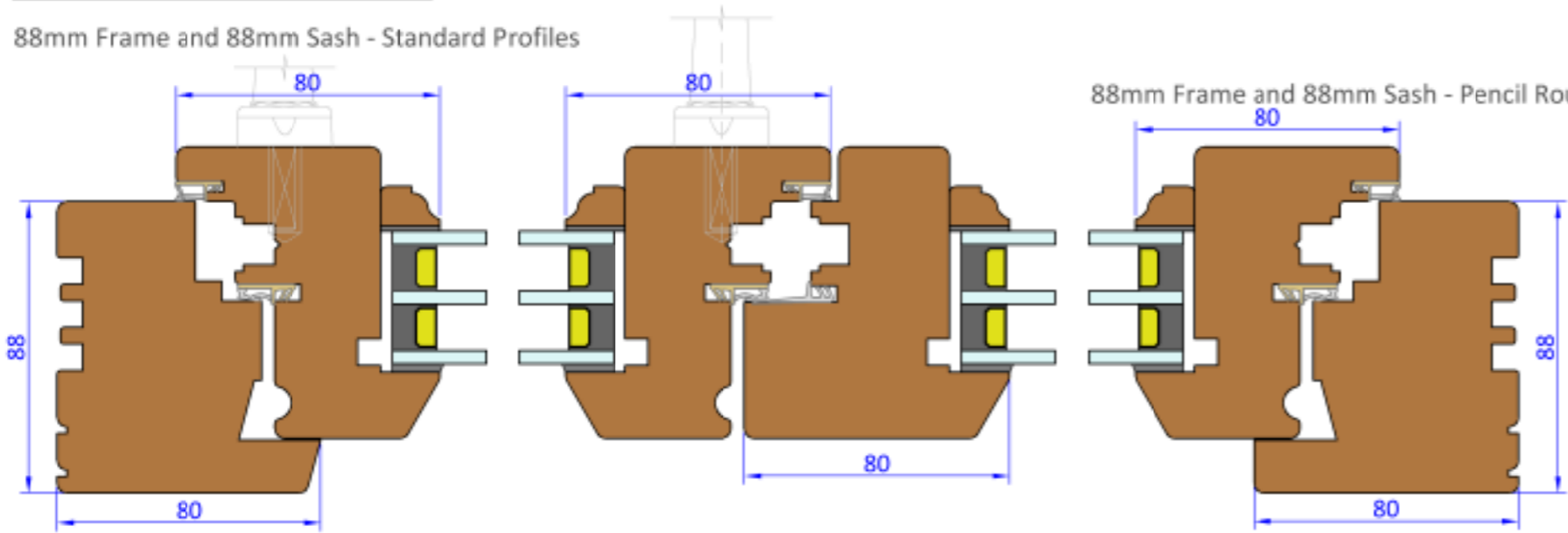
Title: E1 - Tilt and Turn Architects Details - E1-AD		
Scale: As Shown	Date: 02/07/2014	Sheet No: 3 of 5
Drawn: LRP	Approved:	Rev: 0

GEORGE BARNSDALE
 ESTABLISHED 1884

High Street, Dorington, Spalding, Lincs. PE11 4TA.
 T: 01775 823000 F: 01775 823010
 enquiries@georgebarnsdale.co.uk
 www.georgebarnsdale.co.uk

FRAME AND SASH OPTIONS - Cont'd

88mm Frame and 88mm Sash - Standard Profiles



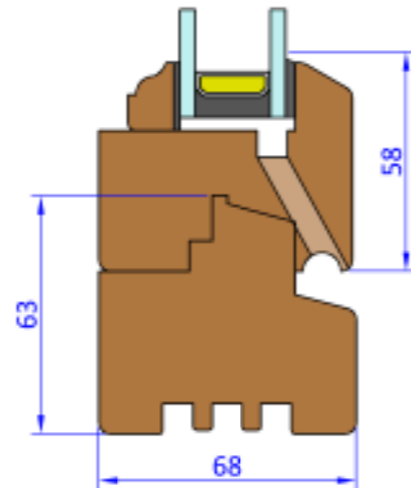
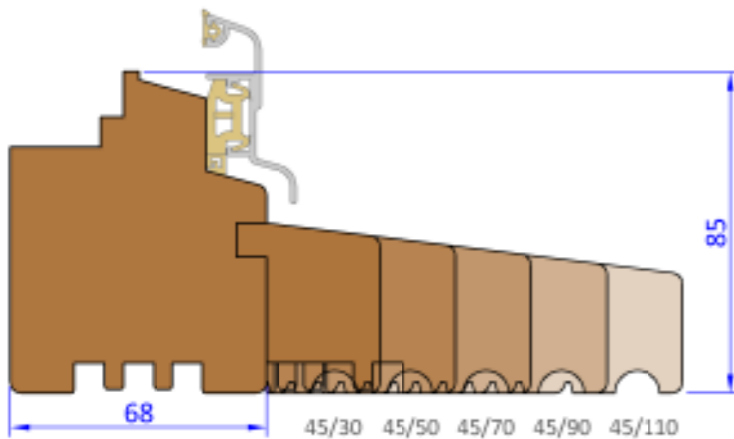
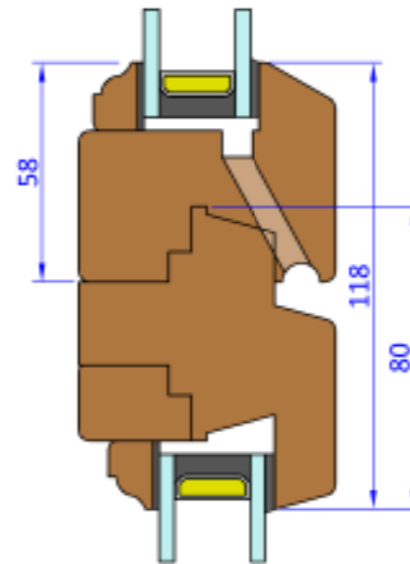
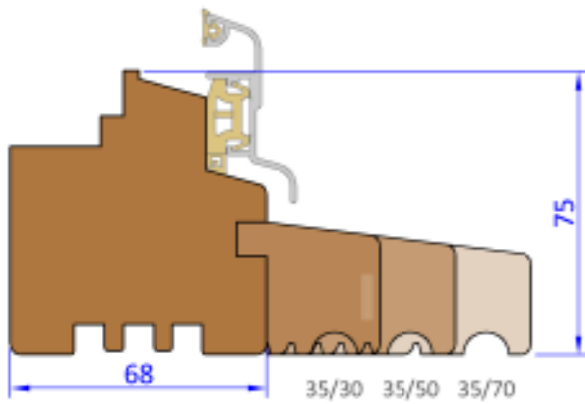
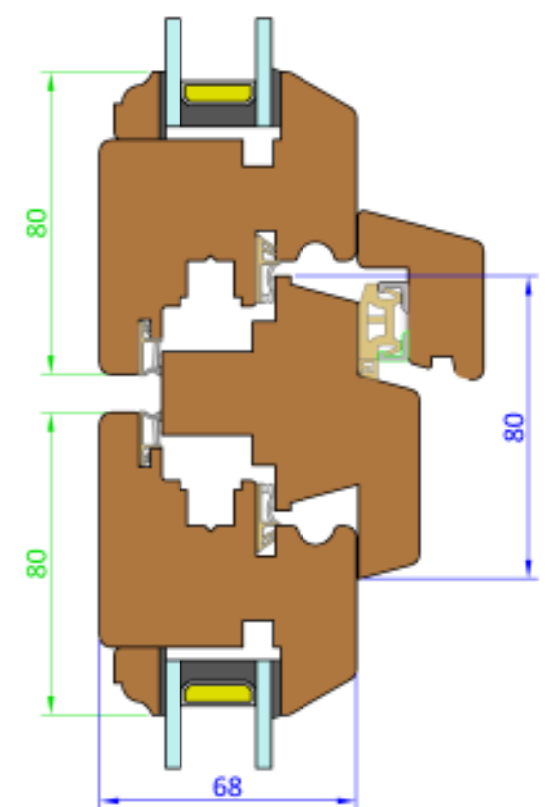
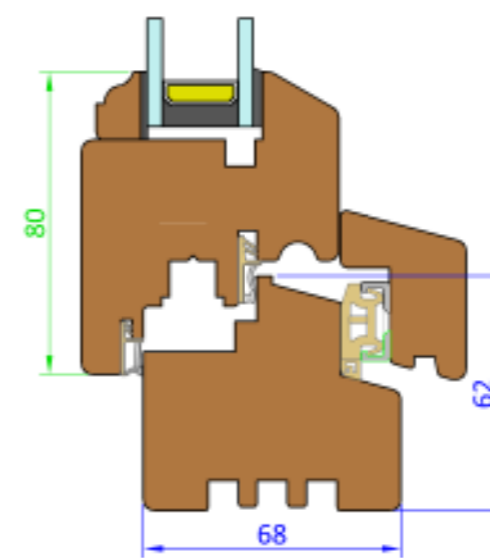
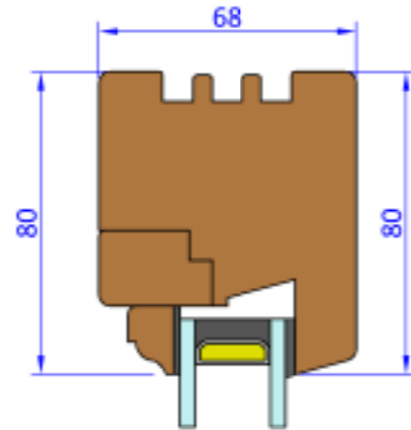
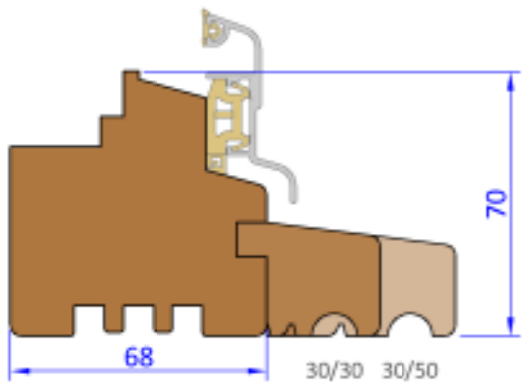
88mm Frame and 88mm Sash - Pencil Round Profiles

CILL EXTENSION OPTIONS

FRAME FILLER & DIRECT GLAZING DETAILS

TIMBER CILL OPTION

TIMBER TRANSOM OPTION



Tolerances: All tolerances are to George Barnsdale Standard Tolerance definitions (see supporting document for more detail) unless stated on the drawing.
 © George Barnsdale & Sons Ltd. All rights reserved. No part of this drawing may be reproduced without the permission of George Barnsdale & Son Ltd.

Variable Dimensions
 Fixed Dimensions

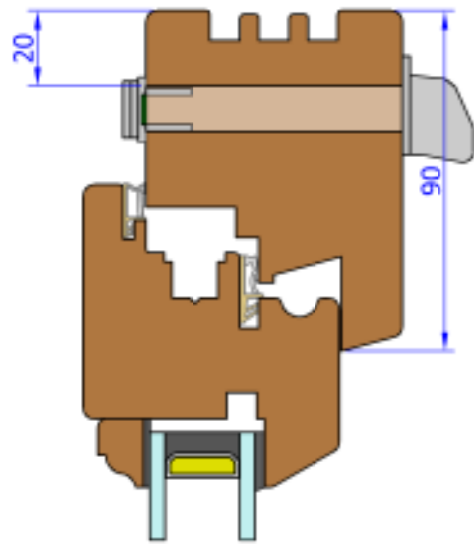
Title: E1 - Tilt and Turn Architects Details - E1-AD		
Scale: As Shown	Date: 02/07/2014	Sheet No: 4 of 5
Drawn: LRP	Approved:	Rev: 0

GEORGE BARNSDALE
 ESTABLISHED 1884

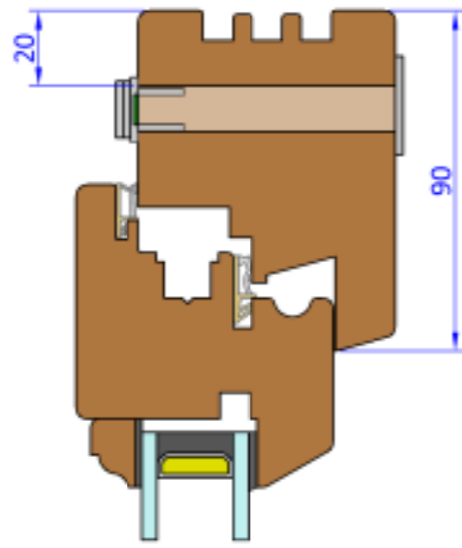
High Street, Dorington, Spalding, Lincs. PE11 4TA.
 T: 01775 823000 F: 01775 823010
 enquiries@georgebarnsdale.co.uk
 www.georgebarnsdale.co.uk

VENTILATION OPTION DETAILS

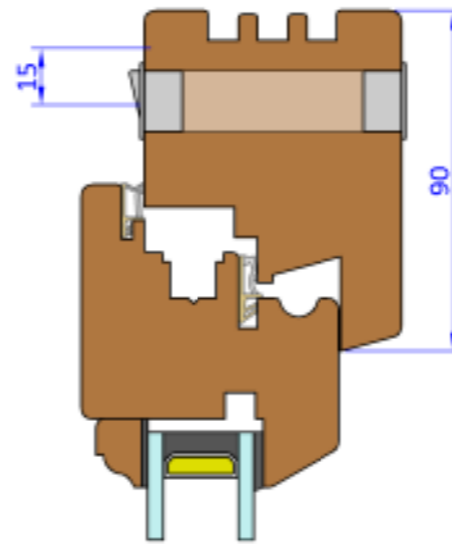
Frame Vent Type 1 (Slide In/Canopy Out)



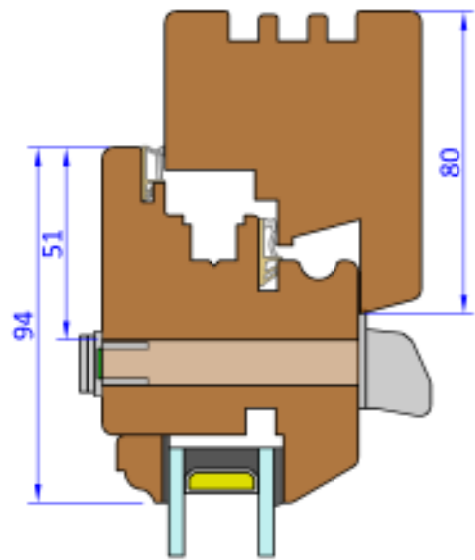
Frame Vent Type 2 (Slide In/Grille Out)



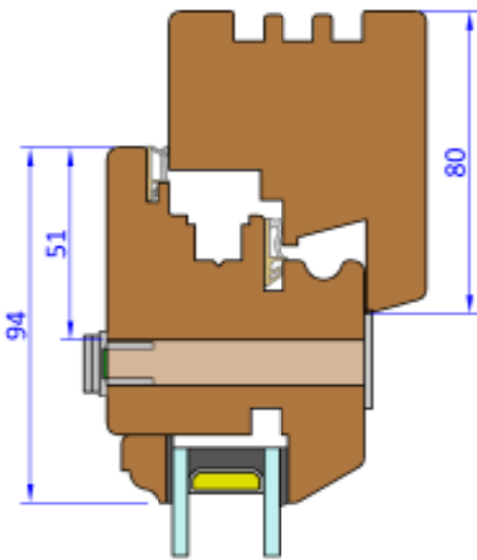
Frame Vent Type 3 (Flush)



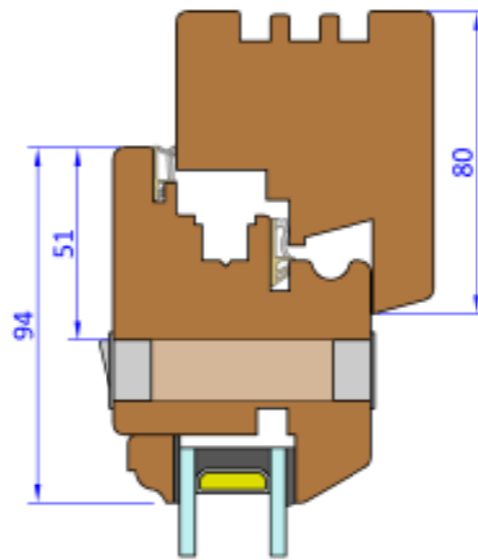
Sash Vent Type 1 (Slide In/Canopy Out)



Sash Vent Type 2 (Slide In/Grille Out)



Sash Vent Type 3 (Flush)



Tolerances: All tolerances are to George Barnsdale Standard Tolerance definitions (see supporting document for more detail) unless stated on the drawing.
 © George Barnsdale & Sons Ltd. All rights reserved. No part of this drawing may be reproduced without the permission of George Barnsdale & Son Ltd.

———— Variable Dimensions
 ——— Fixed Dimensions

Title:		
E1 - Tilt and Turn Architects Details - E1-AD		
Scale:	Date:	Sheet No:
As Shown	02/07/2014	5 of 5
Drawn:	Approved:	Rev:
LRP		0

GEORGE BARNSDALE
 ESTABLISHED 1884

High Street, Dorington, Spalding, Lincs, PE11 4TA.
 T: 01775 823000 F: 01775 823010
 enquiries@georgebarnsdale.co.uk
 www.georgebarnsdale.co.uk