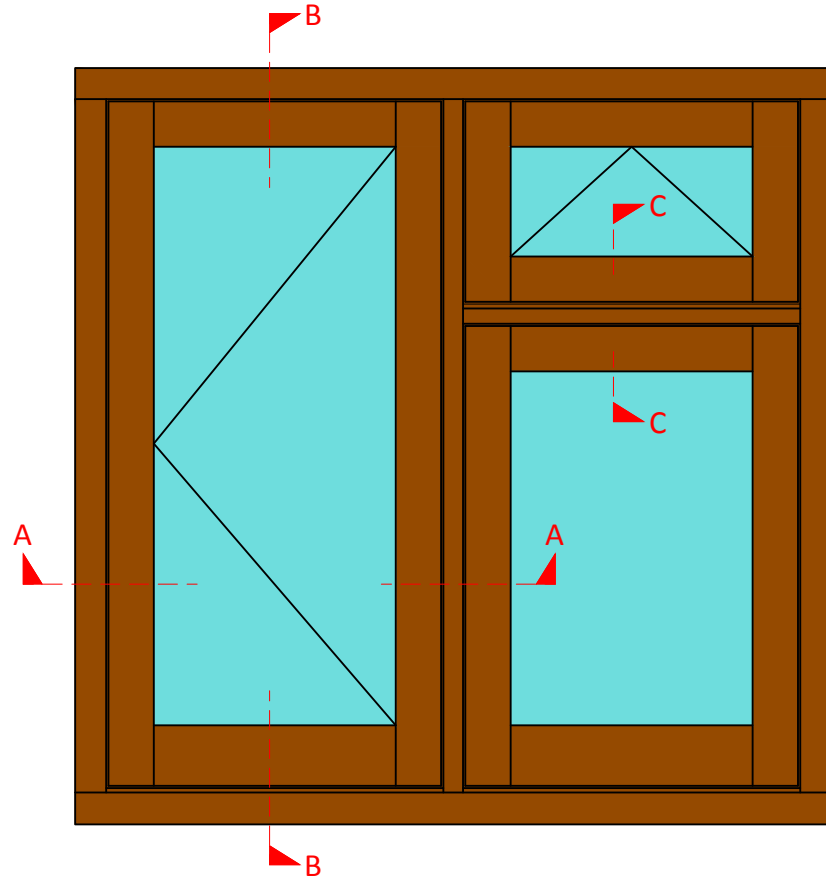
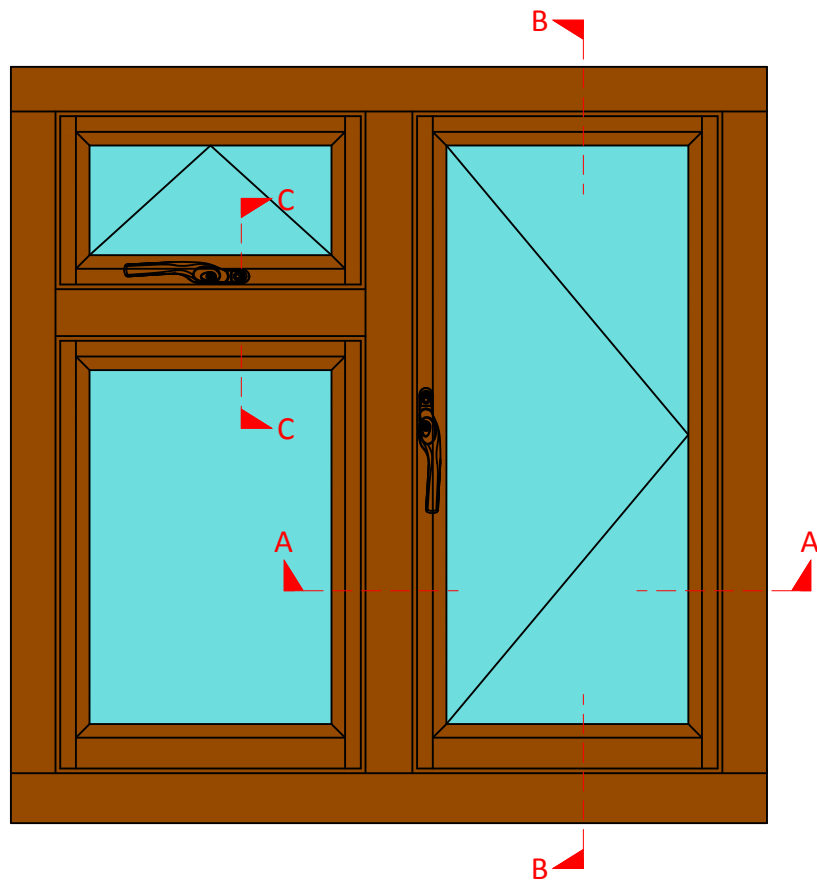


ELEVATIONS (Scale 1:10)

Elevation 1 - Outside View

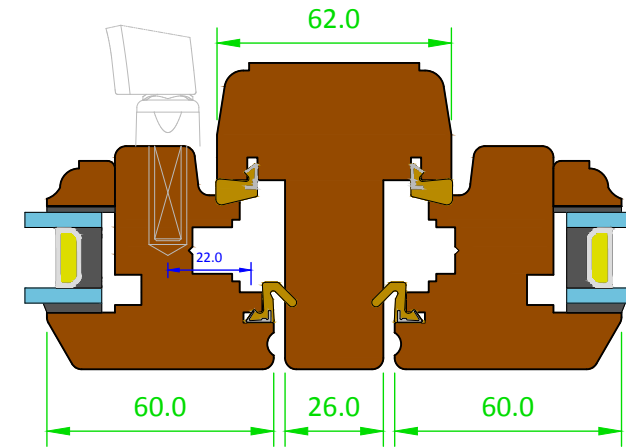
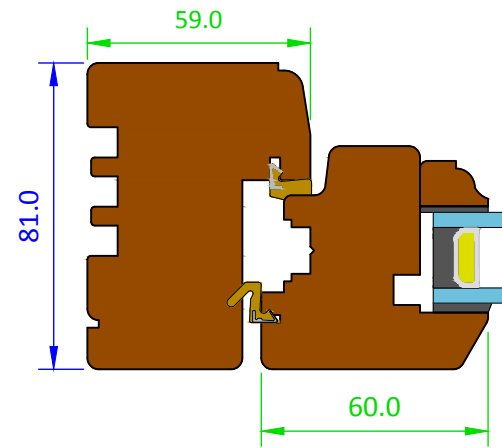


Elevation 2 - Inside View

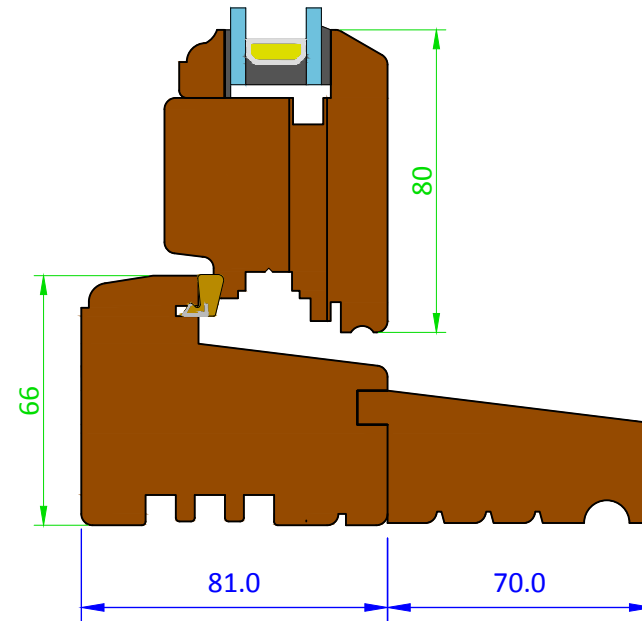
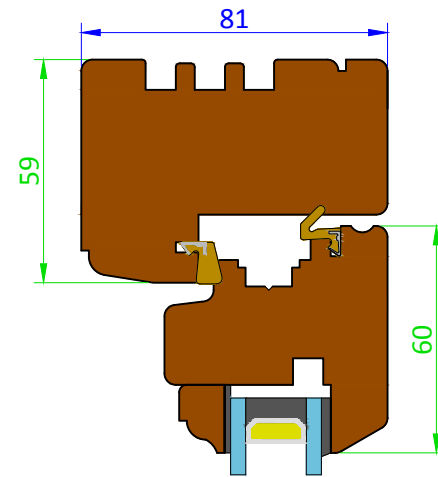


SECTIONS (Scale 1:10)

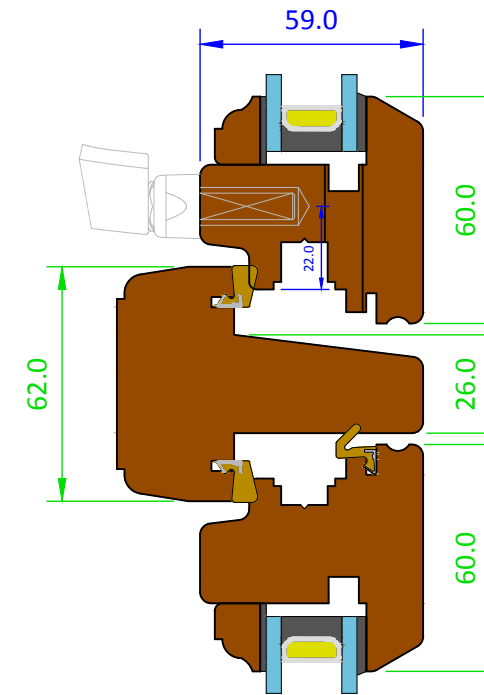
Section A-A - Jamb and mullion



Section B-B - Head and cill



Section C-C - Transome



Tolerances: All tolerances are to George Barnsdale Standard Tolerance definitions (see supporting document for more detail) unless stated on the drawing.
George Barnsdale & Sons Ltd. All rights reserved. No part of this drawing may be reproduced without the permission of George Barnsdale & Son Ltd.

Variable Dimensions
(Dim shown is usually min)

Fixed Dimensions

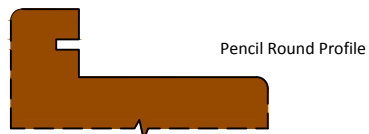
Title: Architects Details - C2- C2 Flush Casement Traditional Range Wind		
Scale: As Shown	Date: 02-Jul-14	Sheet No: 1 of
Drawn: LRP	Approved:	Rev:

GEORGE BARNSDALE
ESTABLISHED 1884

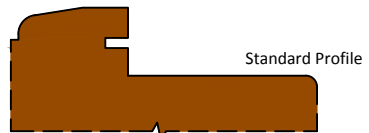
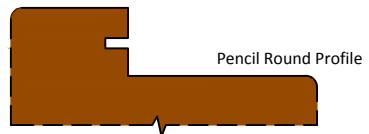
High Street, Donington, Spalding, Lincs, PE11 4TA.
T: 01775 823000 F: 01775 823010
enquiries@georgebarnsdale.co.uk
www.georgebarnsdale.co.uk

OPTIONS Scale 1:2)

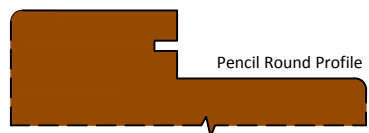
Frame Inside Options - 68mm



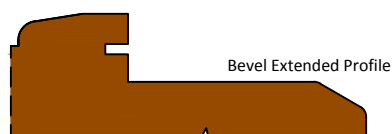
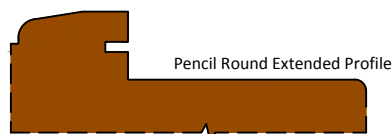
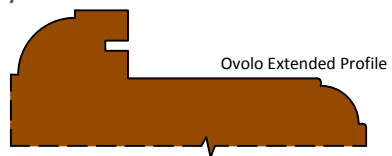
Frame Inside Options - 81mm



Frame Inside Options - 94mm

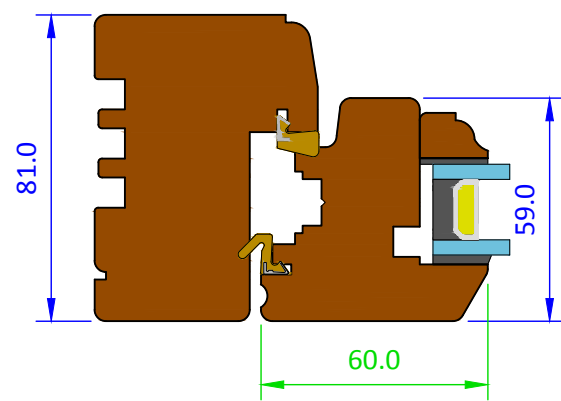


Extended Frame Options - 94mm only

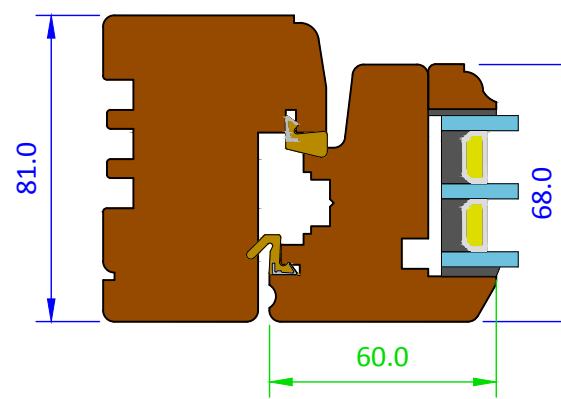


(Extended frame options available with full range of inside profiles.)

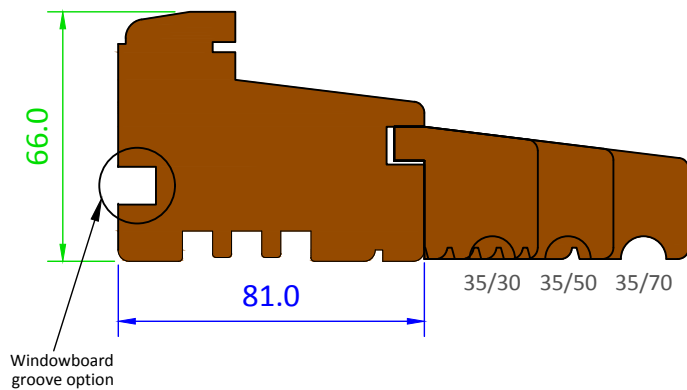
Sash Options - 59mm



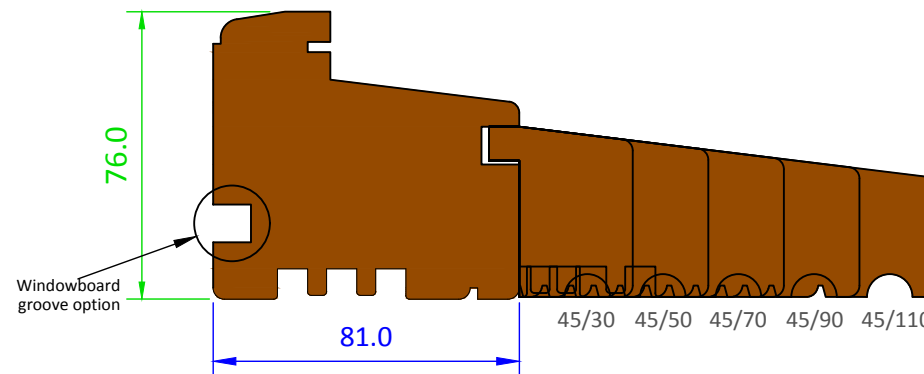
Sash Options - 68mm



Cill Extension Options - 35mm

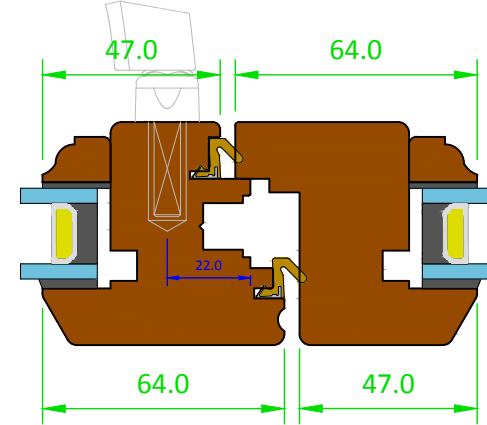


Cill Extension Options - 45mm

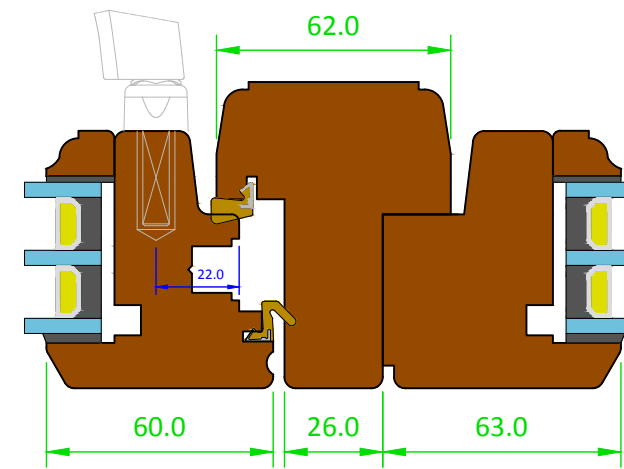
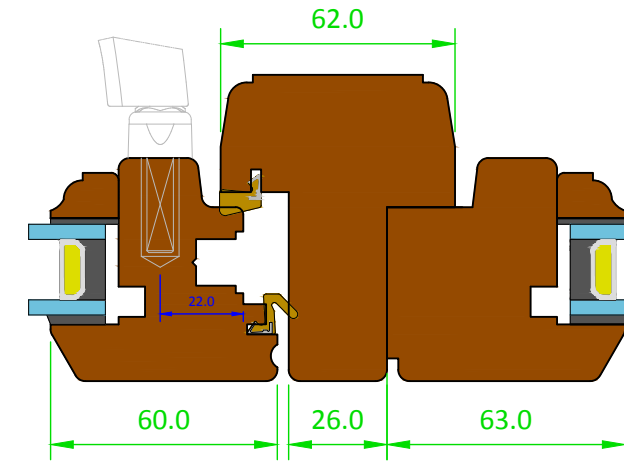


French Window

Needs to be at least 500mm wide to be a fire escape window.



False Mullion



Variable Dimensions (Dim shown is usually min)
Fixed Dimensions

olerances: All tolerances are to George Barnsdale Standard Tolerance definitions (see supporting document for more detail) unless stated on the drawing. George Barnsdale & Sons Ltd. All rights reserved. No part of this drawing may be reproduced without the permission of George Barnsdale & Son Ltd.

Title: Architects Details - C2-, C2 Flush Casement Traditional Range Wind		
Scale: As Shown	Date: 02-Jul-14	Sheet No: 2 of 2
Drawn: LRP	Approved:	Rev:

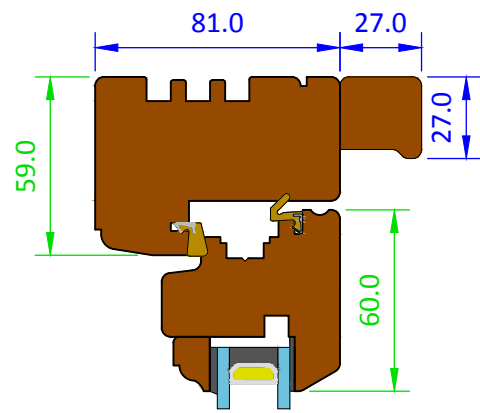
GEORGE BARNSDALE
ESTABLISHED 1884

High Street, Donington, Spalding, Lincs, PE11 4TA.
T: 01775 823000 F: 01775 823010
enquiries@georgebarnsdale.co.uk
www.georgebarnsdale.co.uk

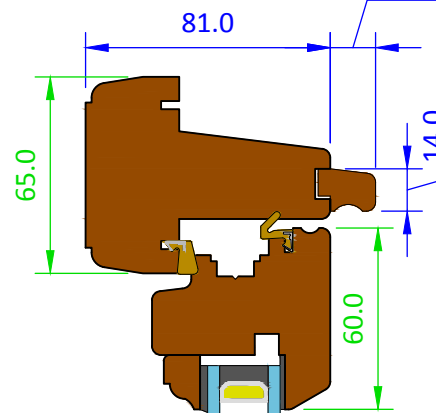
OPTIONS - Scale 1:2)

(For Bevel and Ovolo extended frame, add 10mm to transom width when using a drip).

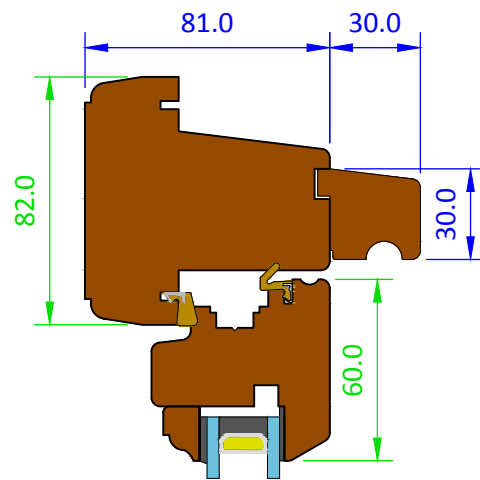
Head Drip Option



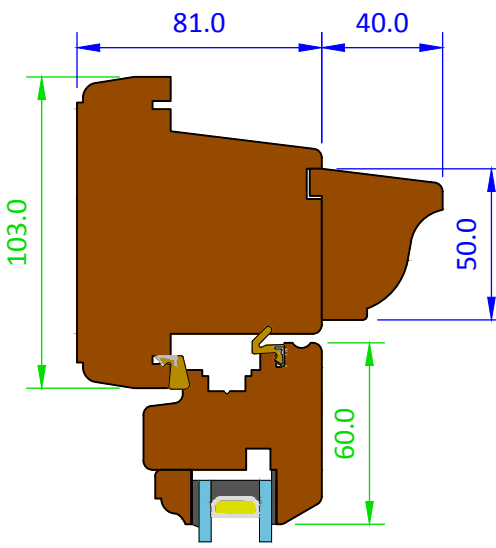
Transome Drip Option 1



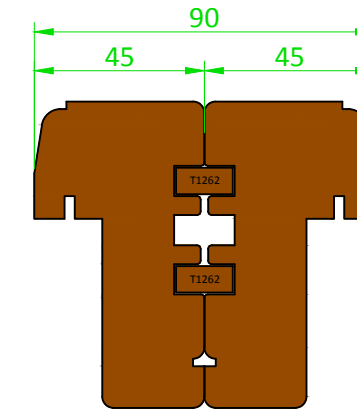
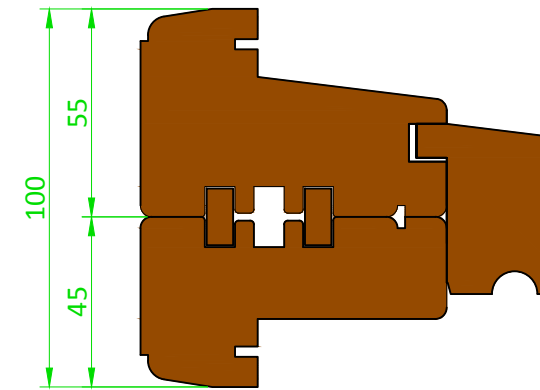
Transome Drip Option 2



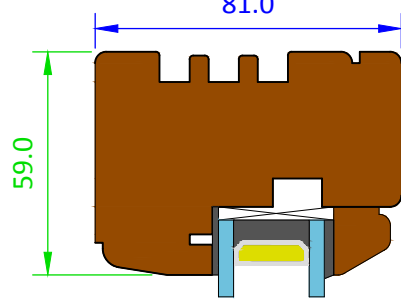
Transome Drip Option 3



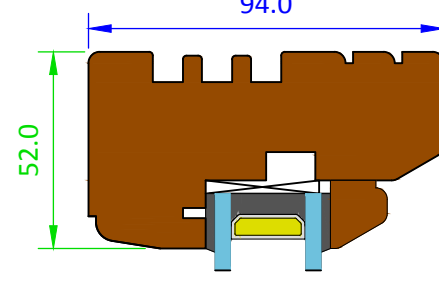
Frame Connection - Cover Extension



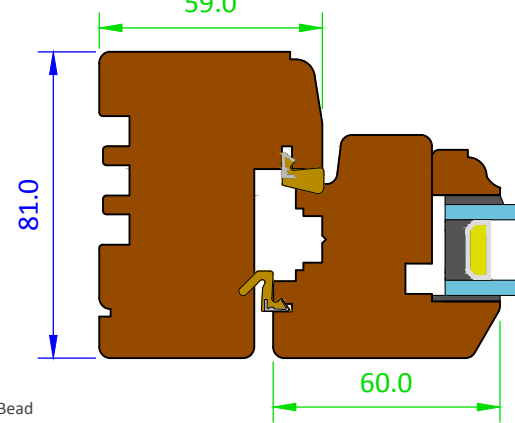
Direct Glazed Options



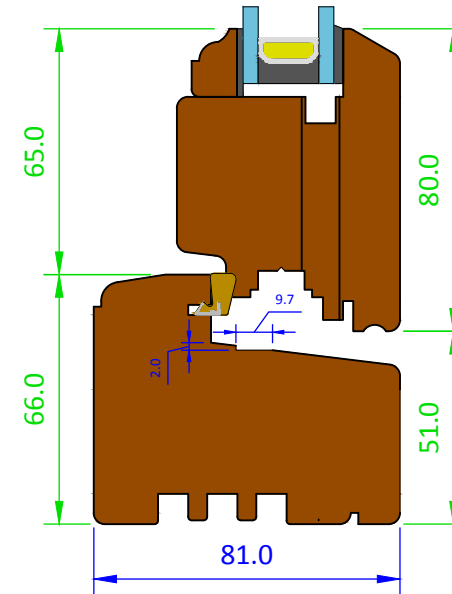
Extended Frame Option



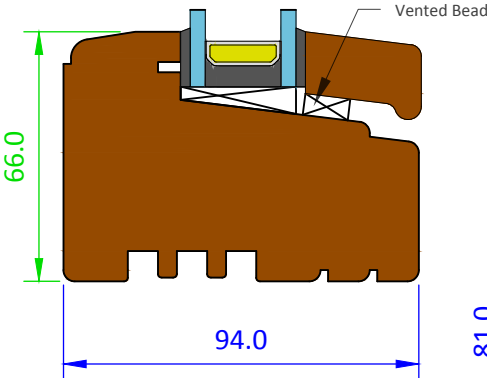
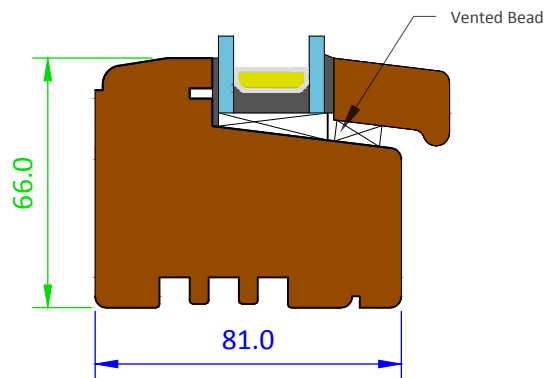
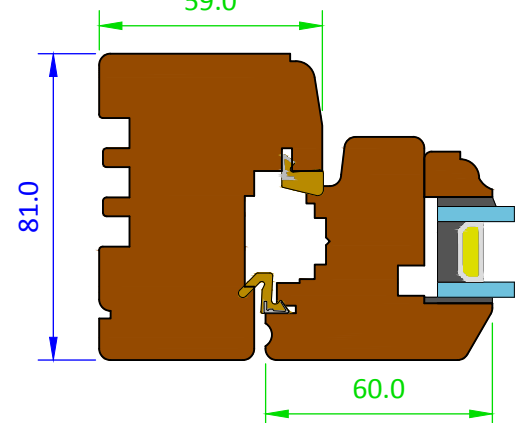
Egress Hinge Rail



Heavy Duty Hinge Rail - Cill Section



Heavy Duty Hinge Rail



Tolerances: All tolerances are to George Barnsdale Standard Tolerance definitions (see supporting document for more detail) unless stated on the drawing.
George Barnsdale & Sons Ltd. All rights reserved. No part of this drawing may be reproduced without the permission of George Barnsdale & Son Ltd.

Variable Dimensions
(Dim shown is usually min)
Fixed Dimensions

Title: Architects Details - C2- C2 Flush Casement Traditional Range Wind		
Scale: As Shown	Date: 02-Jul-14	Sheet No: 3 of 3
Drawn: LRP	Approved:	Rev:

GEORGE BARNSDALE
ESTABLISHED 1884

High Street, Donington, Spalding, Lincs, PE11 4TA.
T: 01775 823000 F: 01775 823010
enquiries@georgebarnsdale.co.uk
www.georgebarnsdale.co.uk

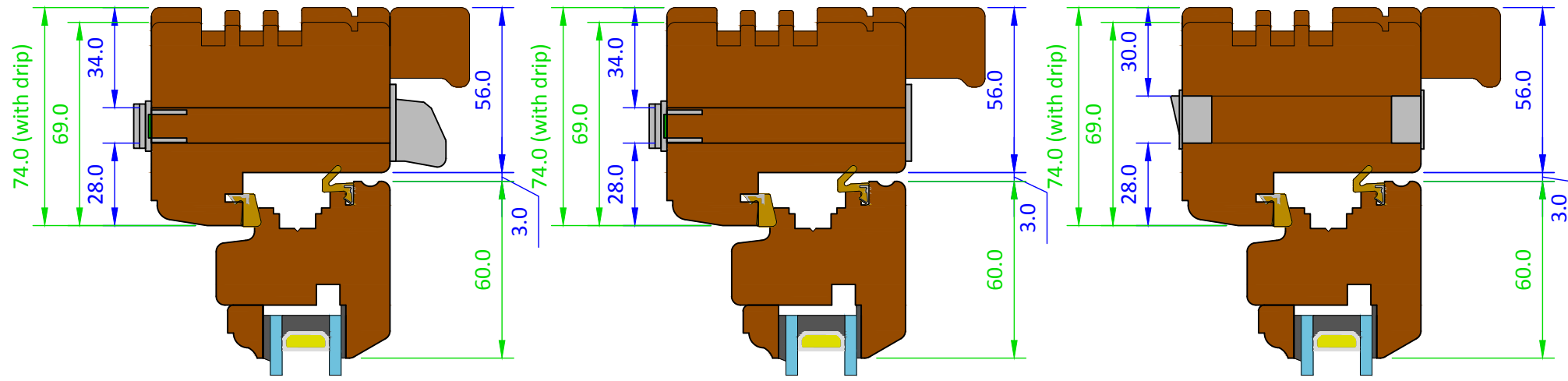
VENTILATION OPTION DETAILS - (Scale 1:2)

(For Bevel and Ovolo extended frame, add 10mm to head width when using a vent).

Frame Vent Type 1 (Slide In/Canopy Out)

Frame Vent Type 2 (Slide In/Grille Out)

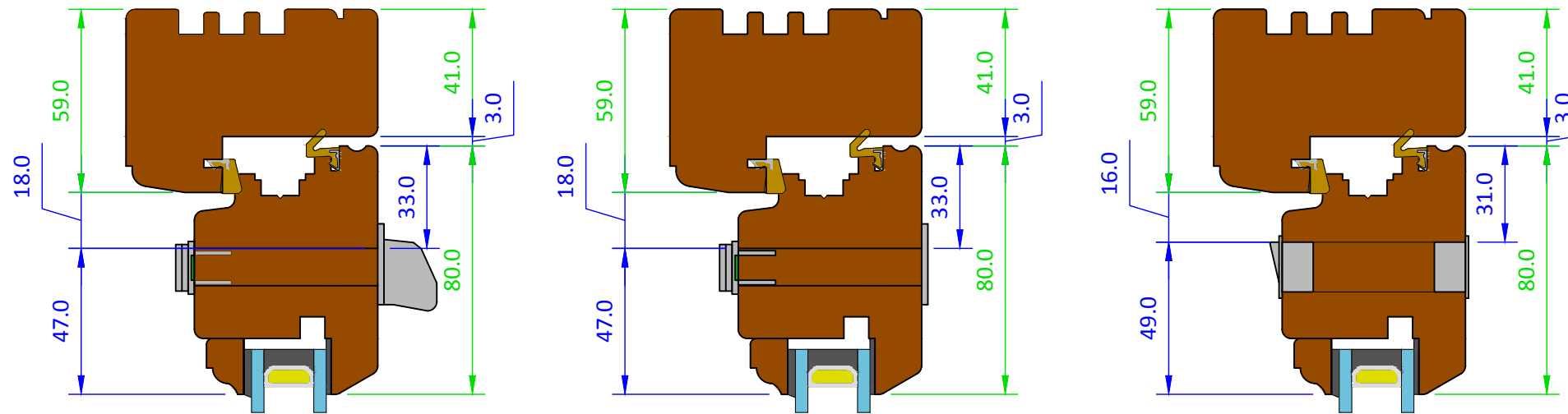
Frame Vent Type 3 (Flush)



Sash Vent Type 1 (Slide In/Canopy Out)

Sash Vent Type 2 (Slide In/Grille Out)

Sash Vent Type 3 (Flush)



Tolerances: All tolerances are to George Barnsdale Standard Tolerance definitions (see supporting document for more detail) unless stated on the drawing.
George Barnsdale & Sons Ltd. All rights reserved. No part of this drawing may be reproduced without the permission of George Barnsdale & Son Ltd.

Variable Dimensions
(Dim shown is usually min)
Fixed Dimensions

Title: Architects Details - C2- C2 Flush Casement Traditional Range Wind		
Scale: As Shown	Date: 02-Jul-14	Sheet No: 4 of
Drawn: LRP	Approved:	Rev:

GEORGE BARNSDALE
ESTABLISHED 1884

High Street, Donington, Spalding, Lincs, PE11 4TA.
T: 01775 823000 F: 01775 823010
enquiries@georgebarnsdale.co.uk
www.georgebarnsdale.co.uk