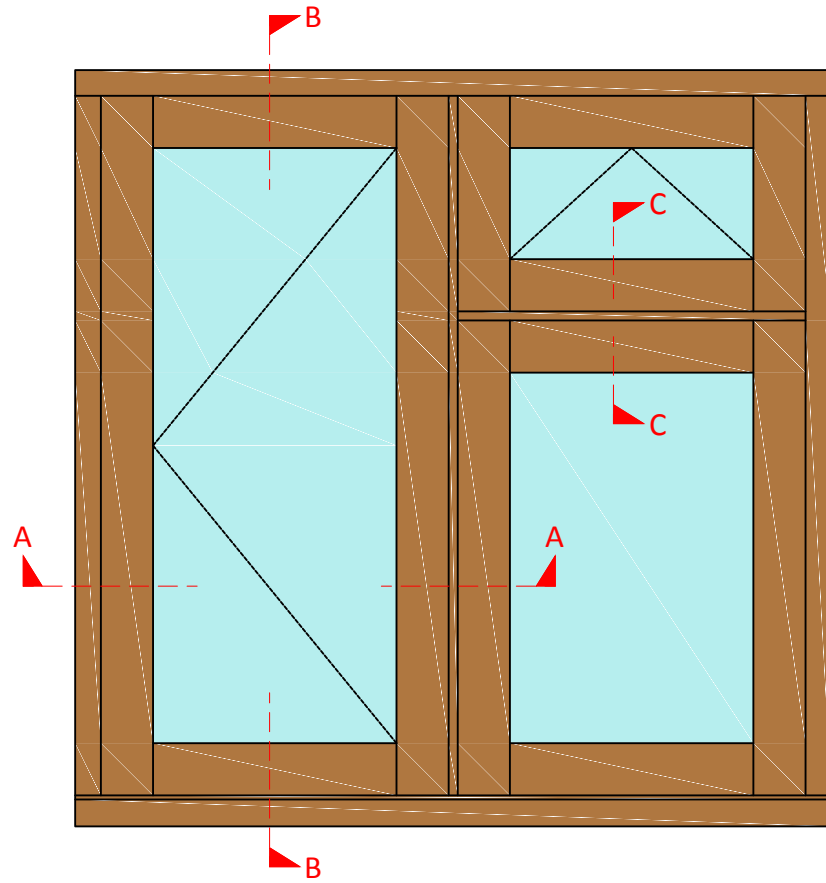
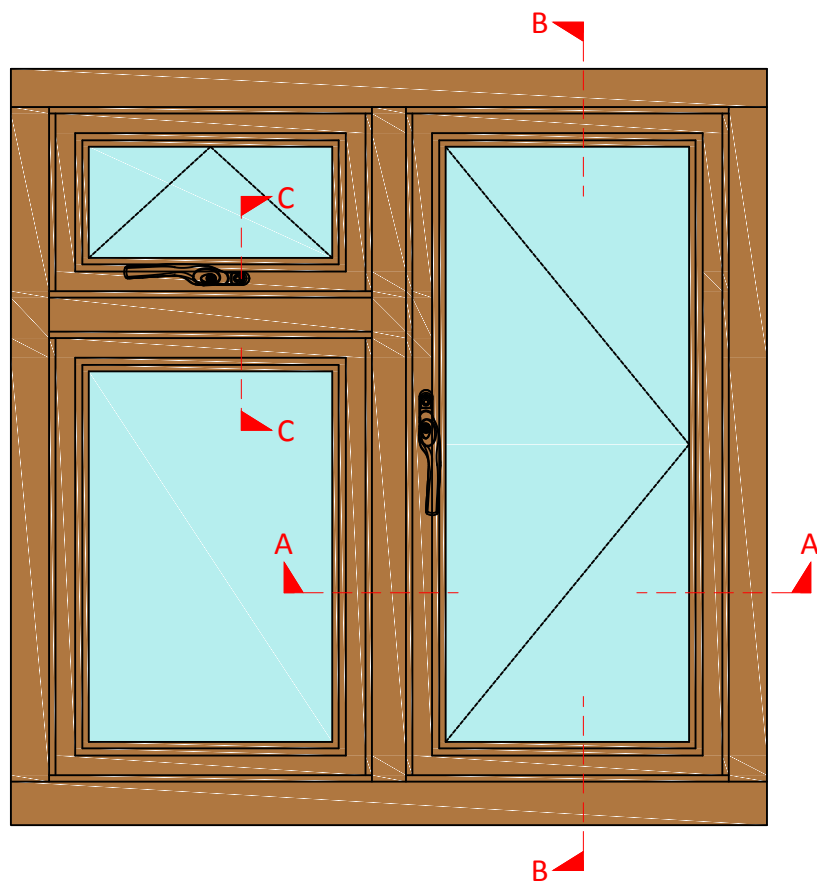


ELEVATIONS (Scale 1:10)

Elevation 1 - Outside View

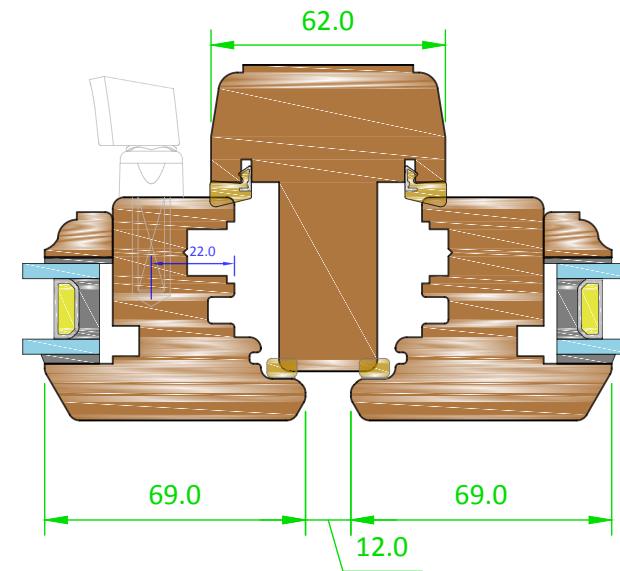
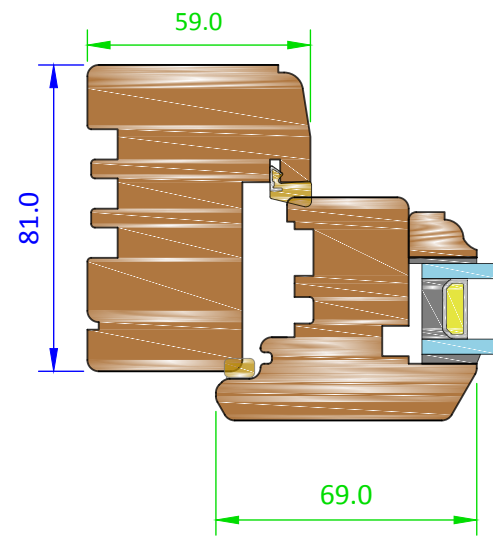


Elevation 2 - Inside View

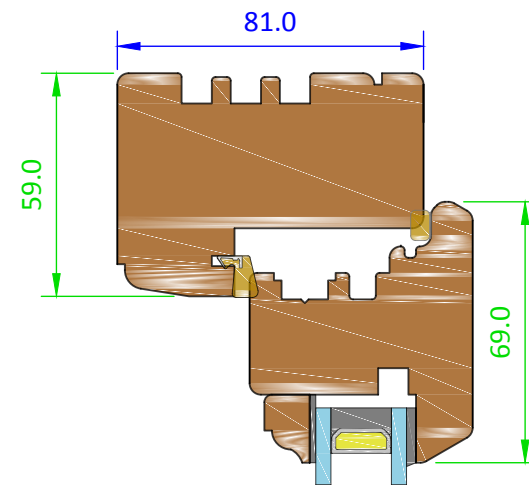


SECTIONS (Scale 1:10)

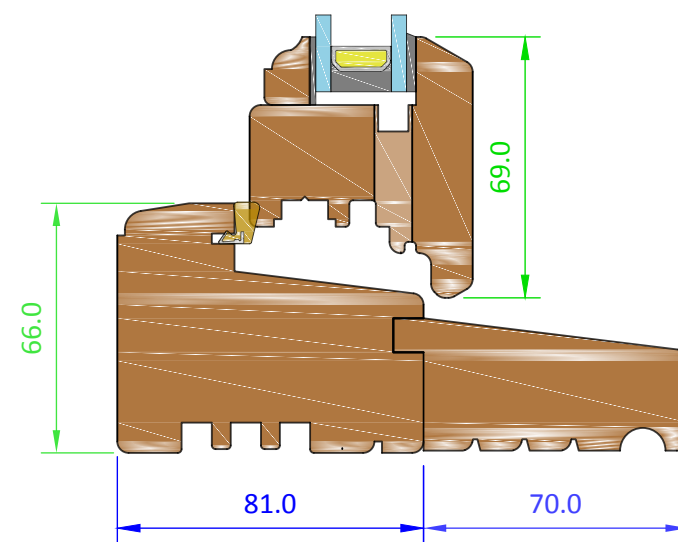
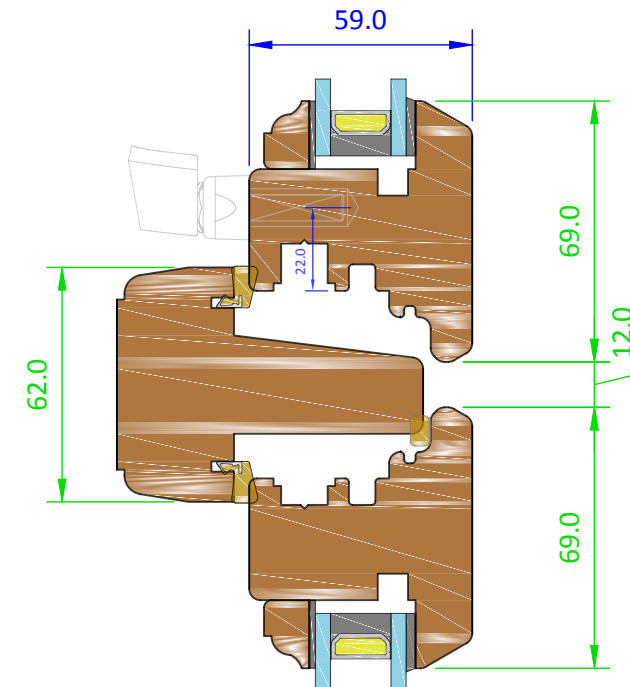
Section A-A - Jamb and mullion



Section B-B - Head and cill



Section C-C - Transome



**Tolerances:** All tolerances are to George Barnsdale Standard Tolerance definitions (see supporting document for more detail) unless stated on the drawing.  
George Barnsdale & Sons Ltd. All rights reserved. No part of this drawing may be reproduced without the permission of George Barnsdale & Son Ltd.

Variable Dimensions  
(Dim shown is usually min)

Fixed Dimensions

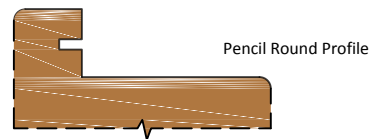
Title: Architects Details - C1- C1 Casement Traditional Range Wind		
Scale: As Shown	Date: 02-Jul-14	Sheet No: 1 of
Drawn: LRP	Approved:	Rev:

**GEORGE BARNSDALE**  
ESTABLISHED 1884

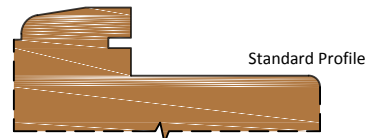
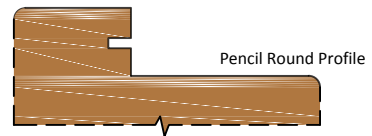
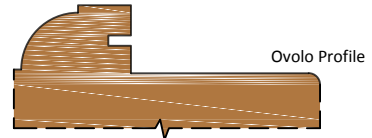
High Street, Donington, Spalding, Lincs, PE11 4TA.  
T: 01775 823000 F: 01775 823010  
enquiries@georgebarnsdale.co.uk  
www.georgebarnsdale.co.uk

OPTIONS Scale 1:2)

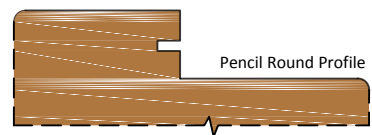
Frame Inside Options - 68mm



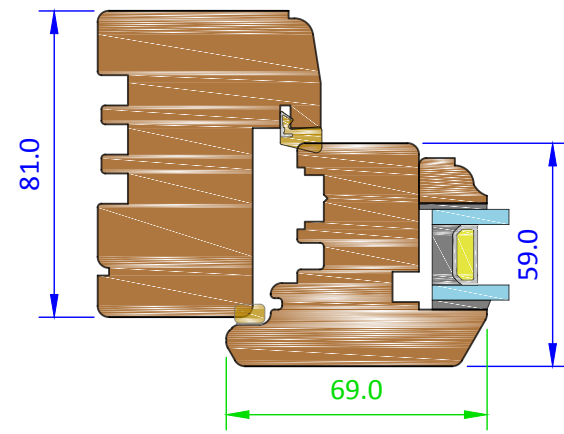
Frame Inside Options - 81mm



Frame Inside Options - 94mm

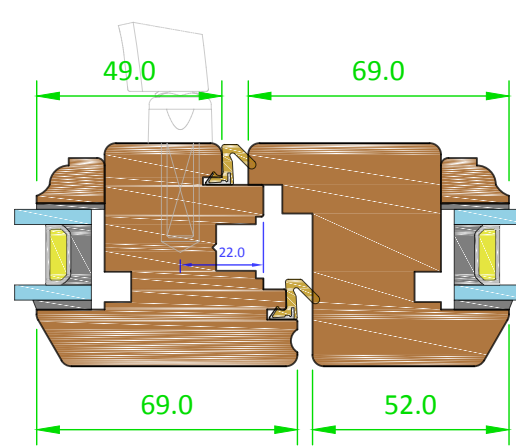


Sash Options - 59mm

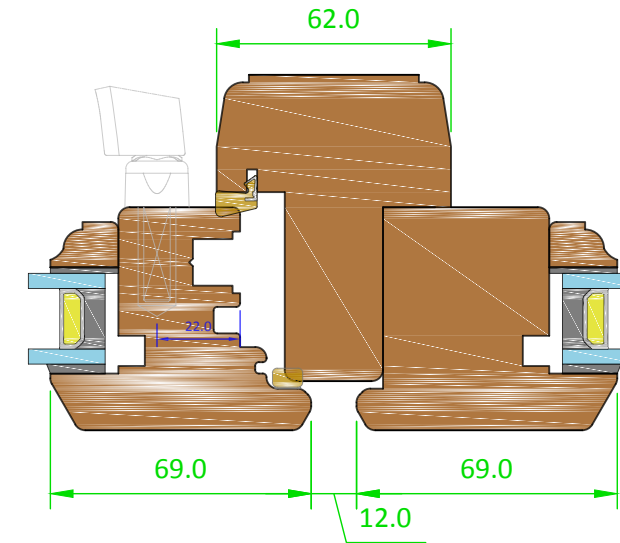


French Window

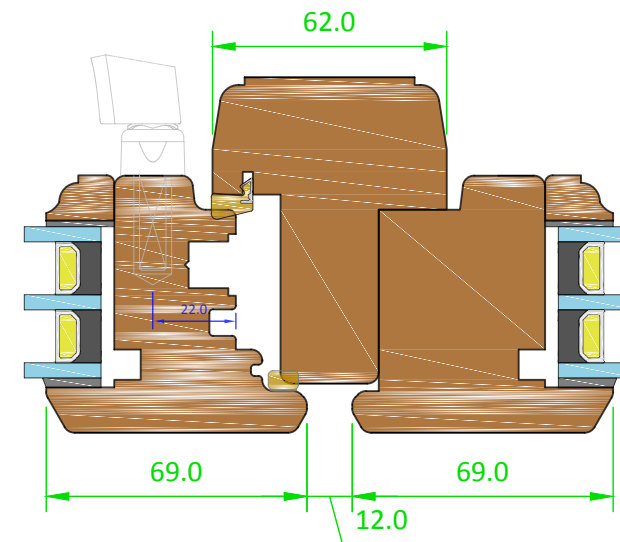
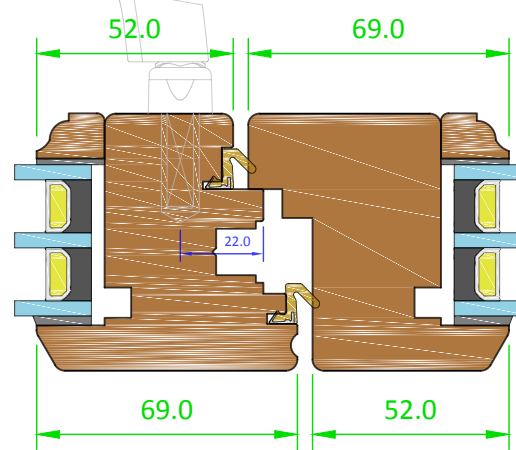
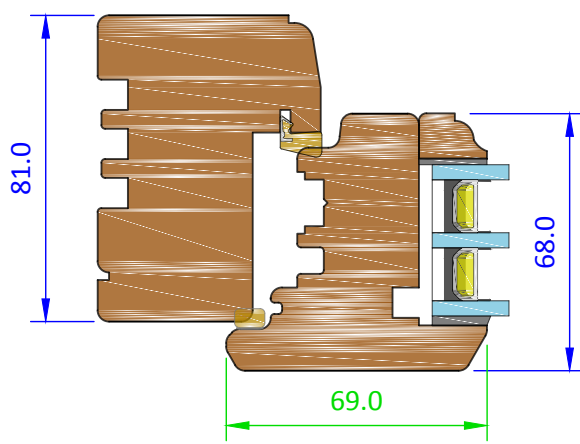
Needs to be at least 500mm wide to be a fire escape window.



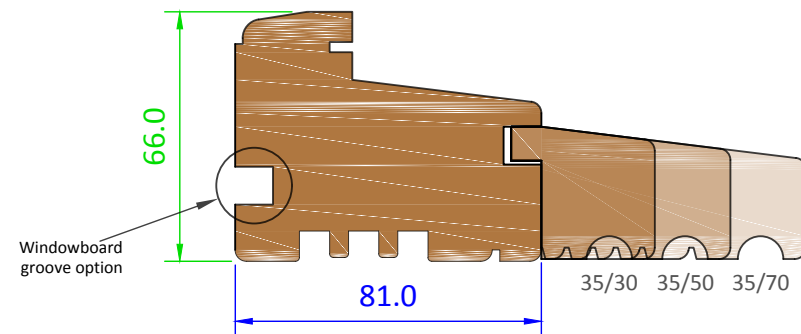
False Mullion



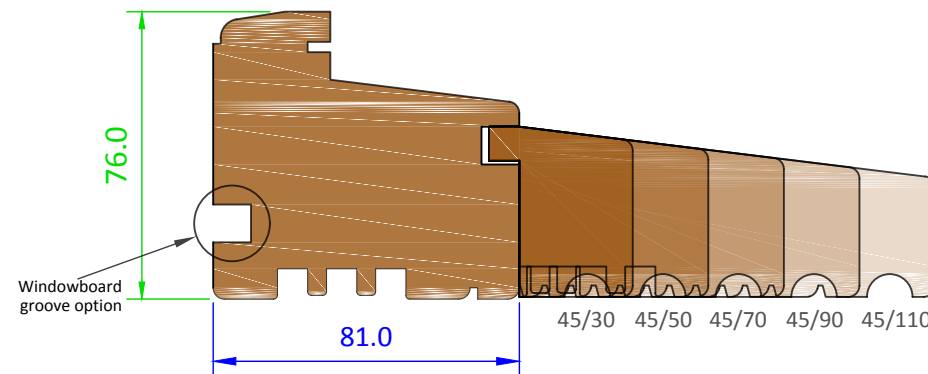
Sash Options - 68mm



Cill Extension Options - 35mm



Cill Extension Options - 45mm



**Tolerances:** All tolerances are to George Barnsdale Standard Tolerance definitions (see supporting document for more detail) unless stated on the drawing. George Barnsdale & Sons Ltd. All rights reserved. No part of this drawing may be reproduced without the permission of George Barnsdale & Son Ltd.

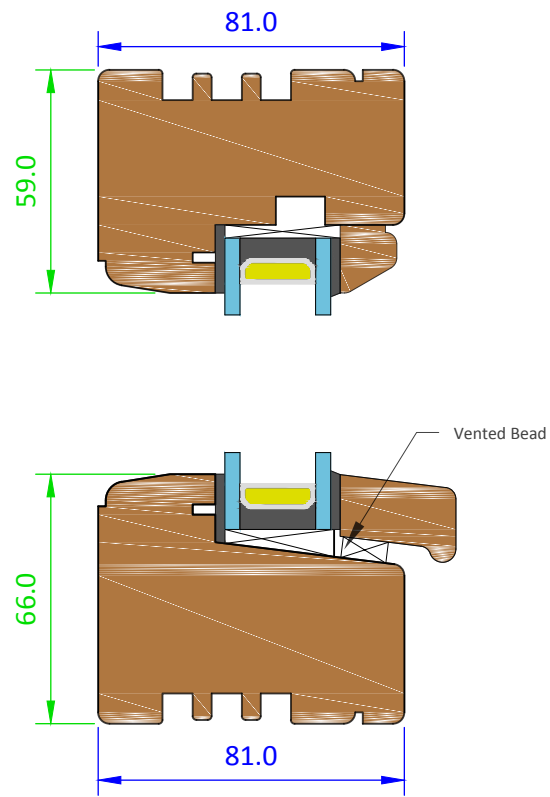
Variable Dimensions  
(Dim shown is usually min)  
Fixed Dimensions

Title: Architects Details - C1- C1 Flush Casement Traditional Range Wind		
Scale: As Shown	Date: 02-Jul-14	Sheet No: 2 of 2
Drawn: LRP	Approved:	Rev:

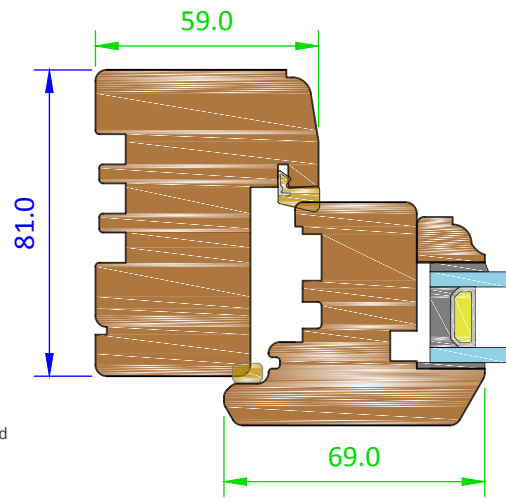


High Street, Donington, Spalding, Lincs, PE11 4TA.  
T: 01775 823000 F: 01775 823010  
enquiries@georgebarnsdale.co.uk  
www.georgebarnsdale.co.uk

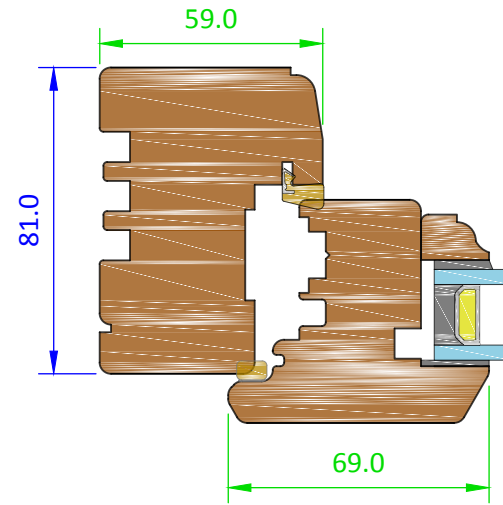
Direct Glazed Options



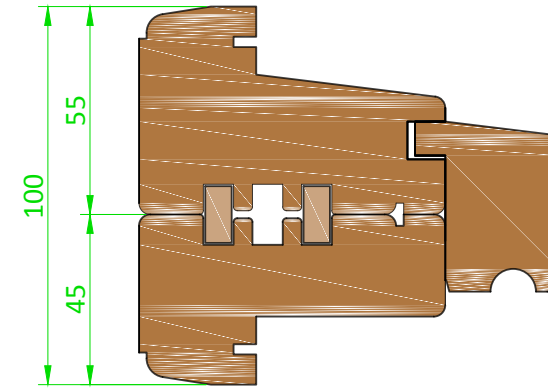
Egress Hinge Rail



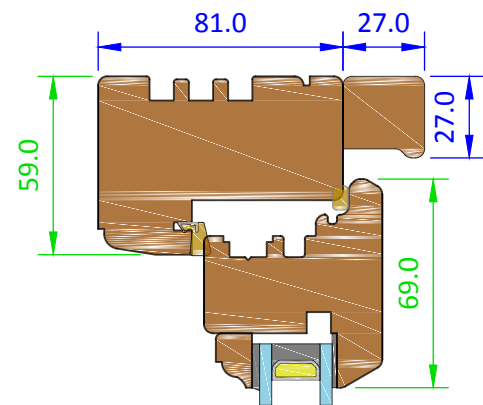
Heavy Duty Hinge Rail



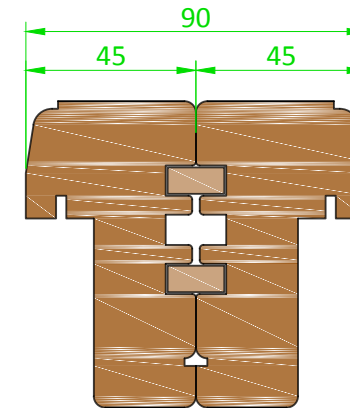
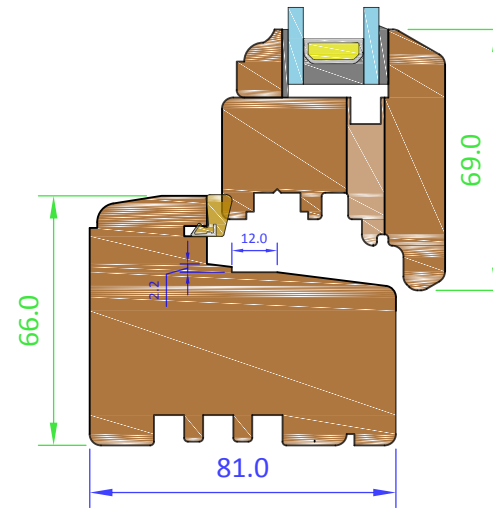
Frame Connection - Cover Extension



Head Drip Option



Heavy Duty Hinge Rail - Cill Section



Title: Architects Details - C1- C1 Flush Casement Traditional Range Wind		
Scale: As Shown	Date: 02-Jul-14	Sheet No: 3 of
Drawn: LRP	Approved:	Rev:

**GEORGE BARNSDALE**  
ESTABLISHED 1884

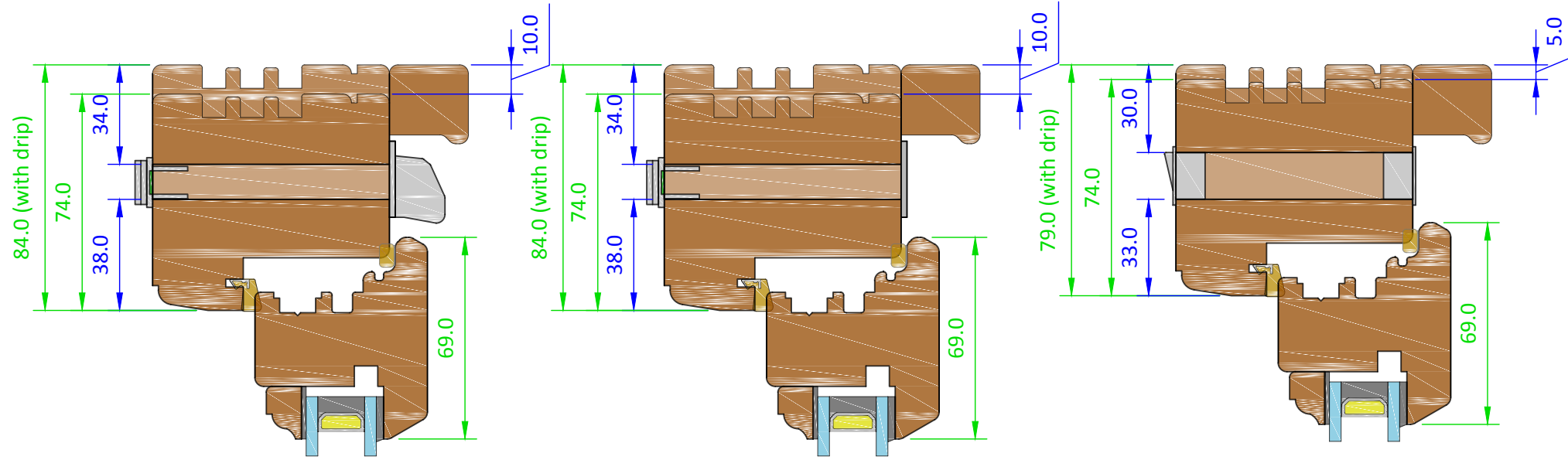
High Street, Donington, Spalding, Lincs, PE11 4TA.  
T: 01775 823000 F: 01775 823010  
enquiries@georgebarnsdale.co.uk  
www.georgebarnsdale.co.uk

VENTILATION OPTION DETAILS - (Scale 1:2)

Frame Vent Type 1 (Slide In/Canopy Out)

Frame Vent Type 2 (Slide In/Grille Out)

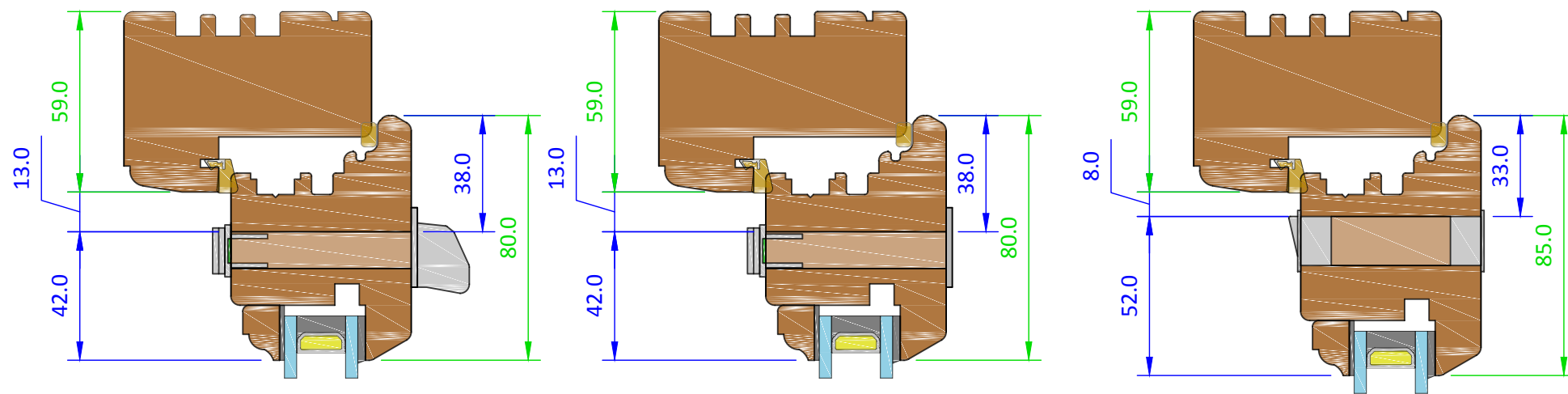
Frame Vent Type 3 (Flush)



Sash Vent Type 1 (Slide In/Canopy Out)

Sash Vent Type 2 (Slide In/Grille Out)

Sash Vent Type 3 (Flush)



**Tolerances:** All tolerances are to George Barnsdale Standard Tolerance definitions (see supporting document for more detail) unless stated on the drawing.  
George Barnsdale & Sons Ltd. All rights reserved. No part of this drawing may be reproduced without the permission of George Barnsdale & Son Ltd.

Variable Dimensions  
(Dim shown is usually min)

Fixed Dimensions

Title: Architects Details - C1- C1 Flush Casement Traditional Range Wind		
Scale: As Shown	Date: 02-Jul-14	Sheet No: 4 of
Drawn: LRP	Approved:	Rev:

**GEORGE BARNSDALE**  
ESTABLISHED 1884

High Street, Donington, Spalding, Lincs, PE11 4TA.  
T: 01775 823000 F: 01775 823010  
enquiries@georgebarnsdale.co.uk  
www.georgebarnsdale.co.uk