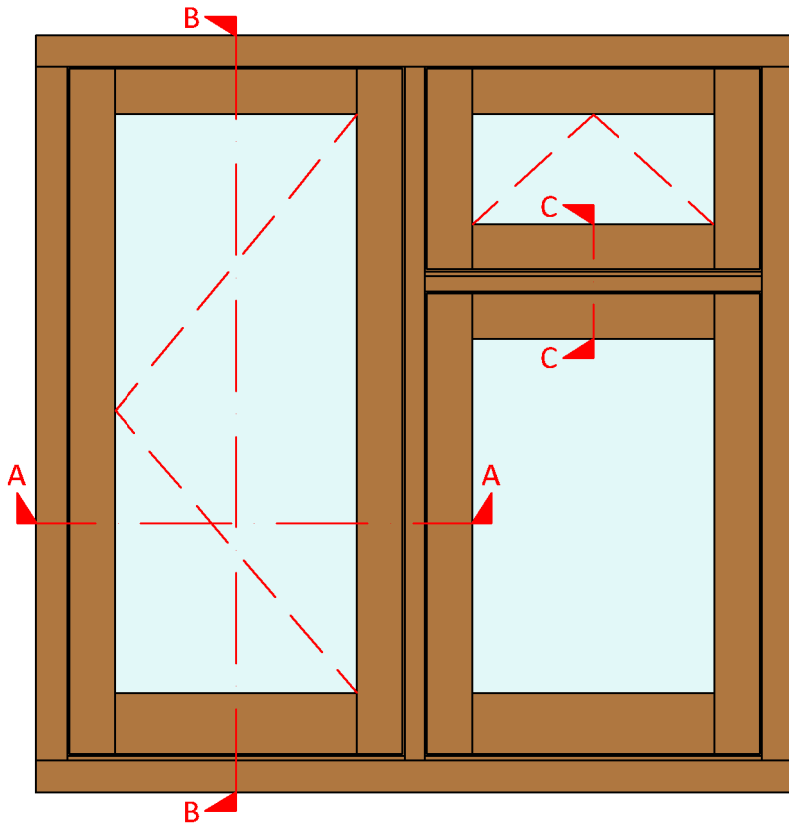
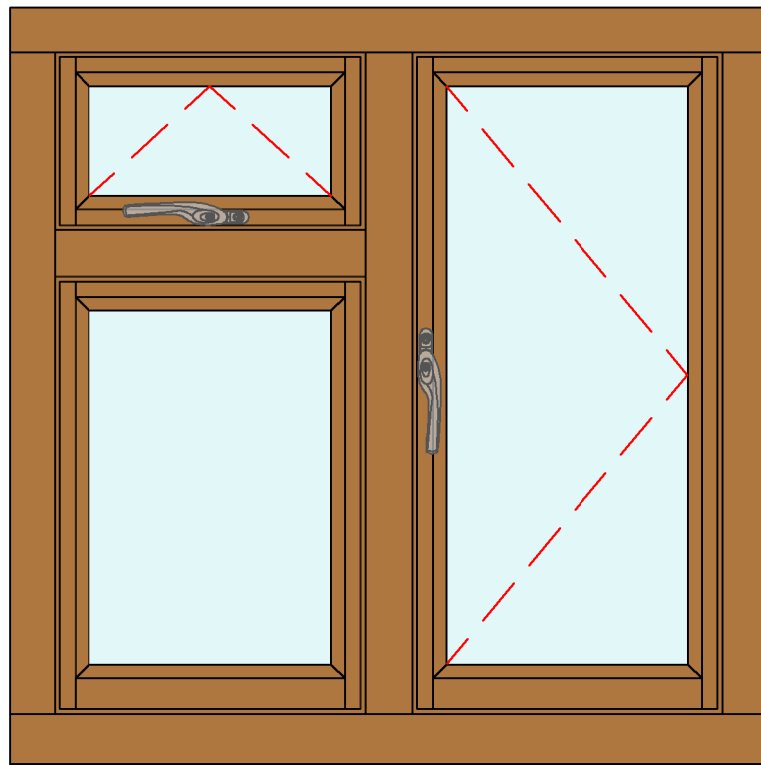


**ELEVATIONS**

Elevation 1 - Outside View (Scale 1:10)

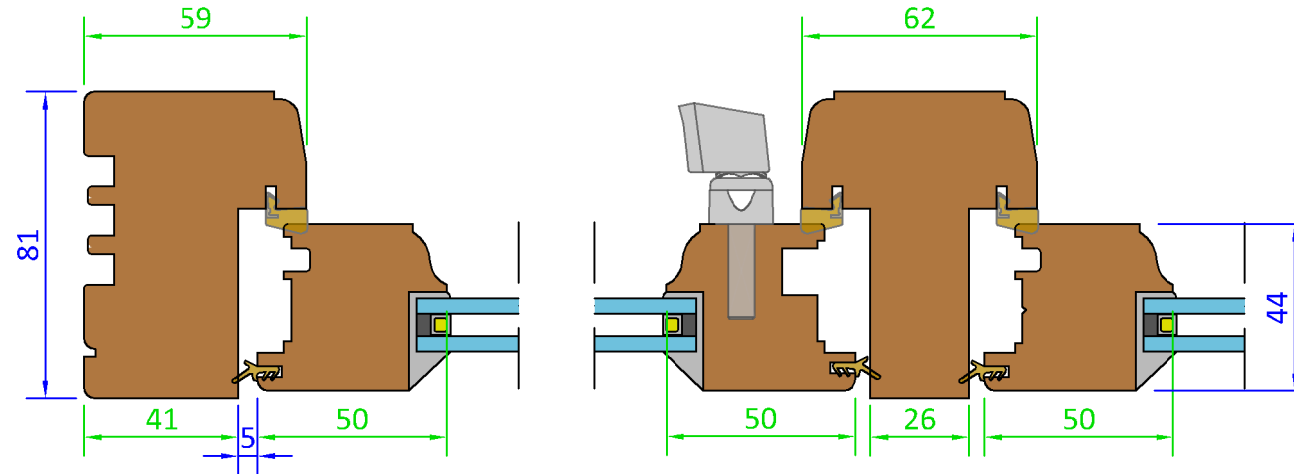


Elevation 2 - Inside View (Scale 1:10)

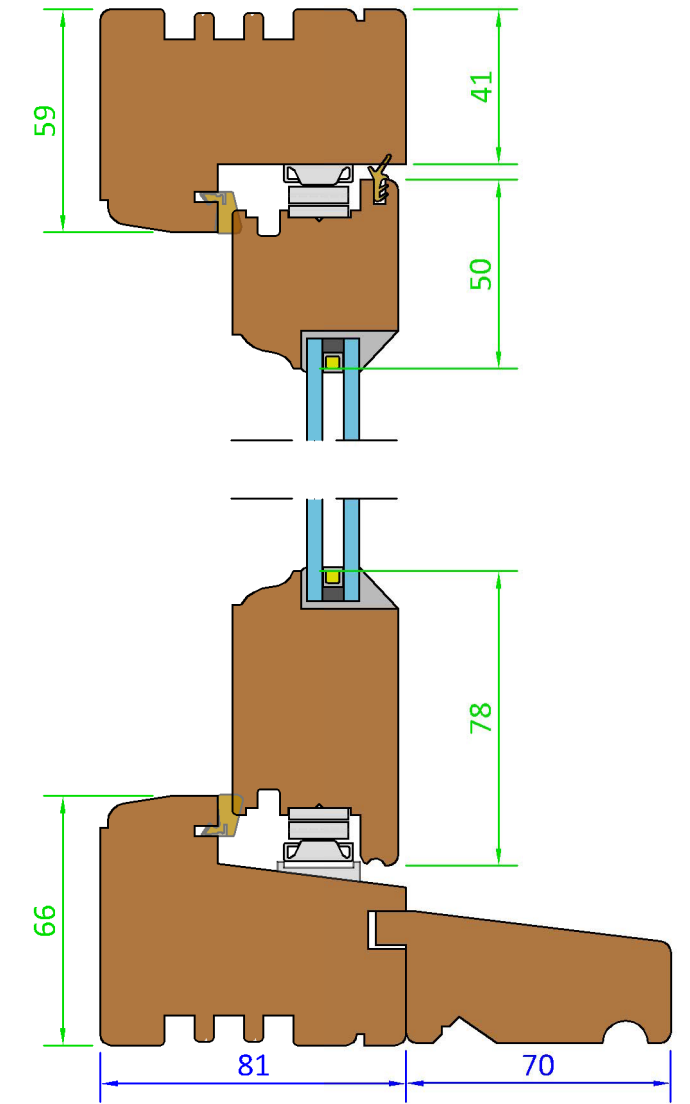


**SECTIONS**

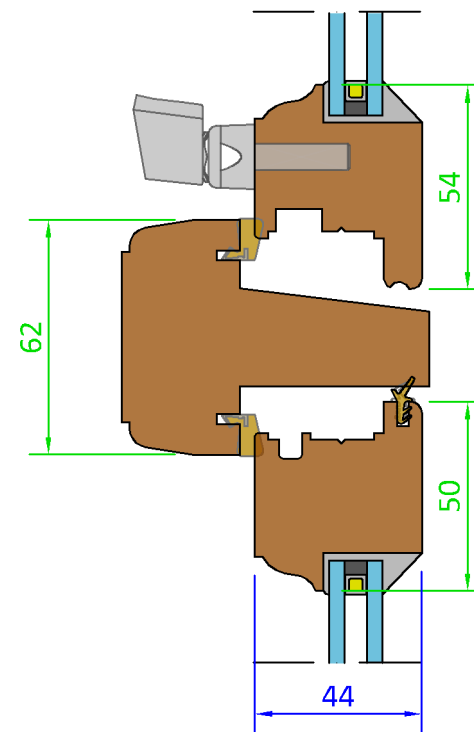
Section A-A - Jamb and mullion (Scale 1:2)



Section B-B - Head and Cill (Scale 1:2)



Section C-C - Transom (Scale 1:2)



 Drainage System

 Variable Dimensions  
(Dim shown is usually min)

 Fixed Dimensions

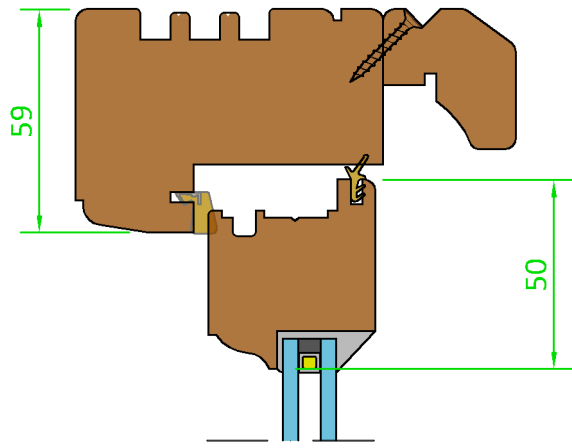
Tolerances: All tolerances are to George Barnsdale Standard Tolerance definitions (see supporting document for more detail) unless stated on the drawing.  
© George Barnsdale & Sons Ltd. All rights reserved. No part of this drawing may be reproduced without the permission of George Barnsdale & Son Ltd.

System: H-C2-81-44		
Title: Traditional - Flush Casement Window		
Scale:	As Shown	Rev No: A
		Date: 9-Mar-18
Drawn By:	LH	Sheet No: 1
		Status: Released

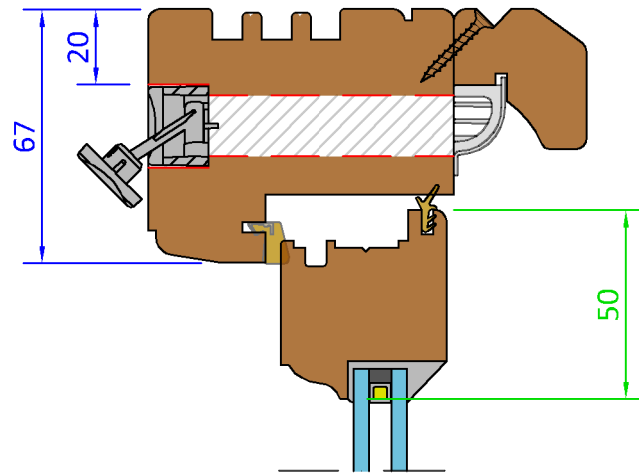
**GEORGE BARNSDALE**  
Est. 1884  
High Street, Donington, Spalding, Lincs, PE11 4TA  
01775 823000  
www.georgebarnsdale.co.uk

FRAME OPTIONS

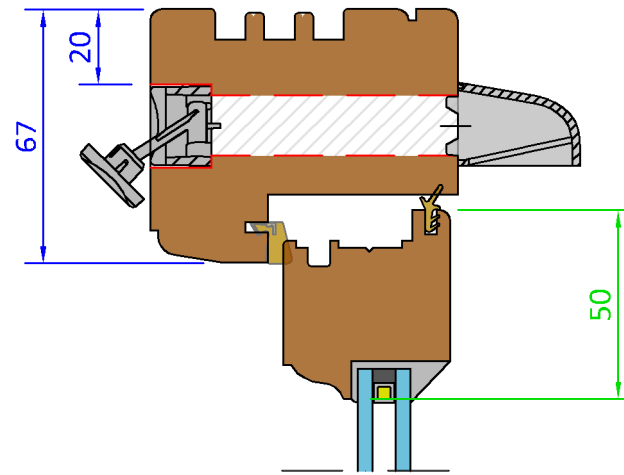
Head Drip Option - (Scale 1:2)



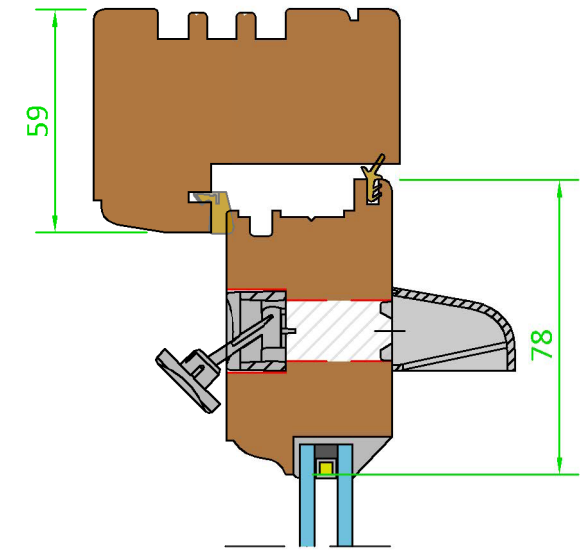
Frame Vent (Slide In/Grill Out) - (Scale 1:2)



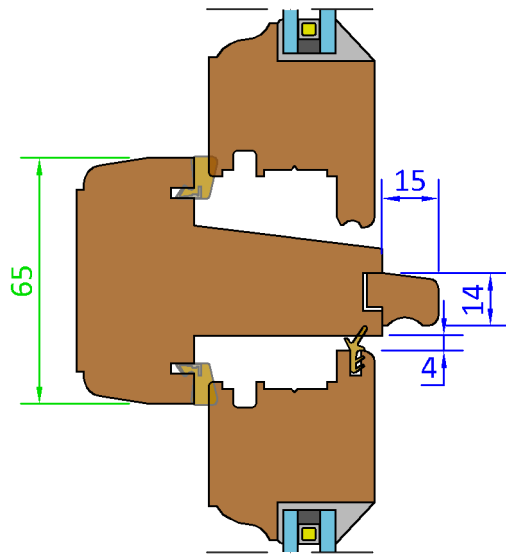
Frame Vent (Slide In/Canopy Out) - (Scale 1:2)



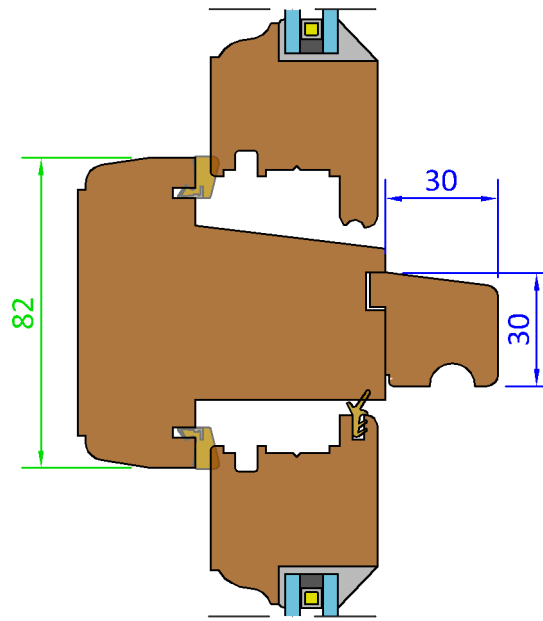
Sash Vent (Slide In/Canopy Out) - (Scale 1:2)



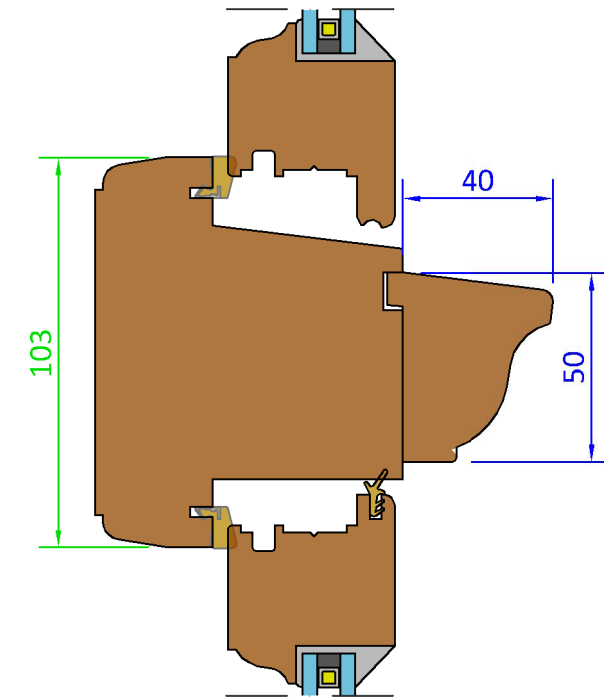
Transome Drip Option 1 - (Scale 1:2)



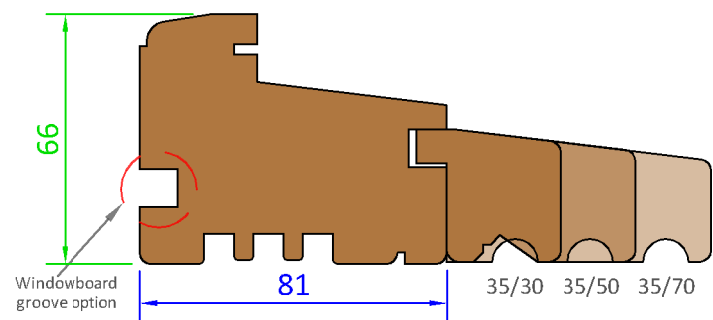
Transome Drip Option 2 - (Scale 1:2)



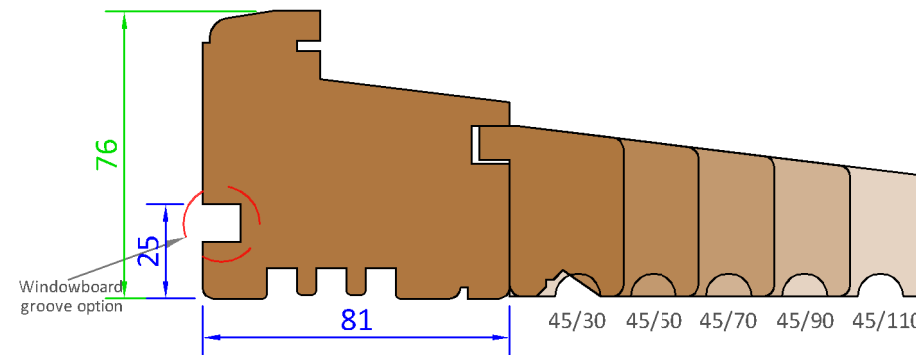
Transome Drip Option 3 - (Scale 1:2)



Cill Extension Options - 35mm - (Scale 1:2)



Cill Extension Options - 45mm



 Vent System

 Variable Dimensions  
(Dim shown is usually min)

 Fixed Dimensions

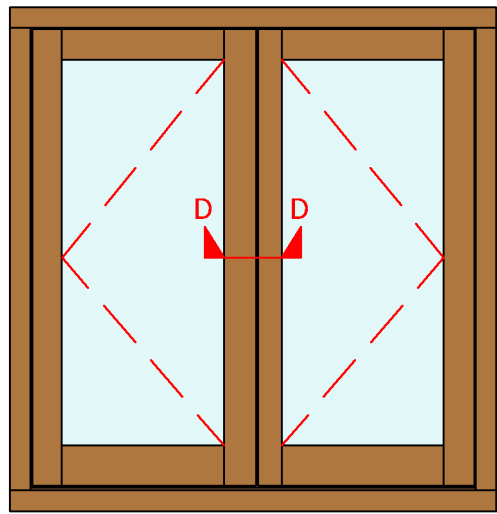
System: H-C2-81-44			
Title: Traditional - Flush Casement Window			
Scale:	As Shown	Rev No: A	Date: 9-Mar-18
Drawn By:	LH	Sheet No: 2	Status: Released

**GEORGE BARNSDALE**  
Est. 1884  
High Street, Donington, Spalding, Lincs, PE11 4TA  
01775 823000  
www.georgebarnsdale.co.uk

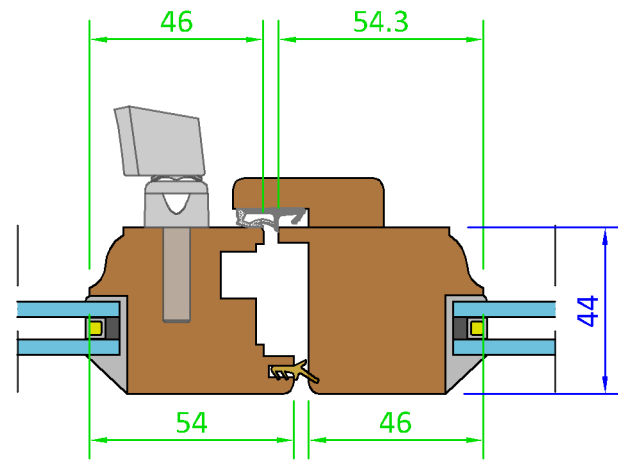
Tolerances: All tolerances are to George Barnsdale Standard Tolerance definitions (see supporting document for more detail) unless stated on the drawing.  
© George Barnsdale & Sons Ltd. All rights reserved. No part of this drawing may be reproduced without the permission of George Barnsdale & Son Ltd.

**SASH OPTIONS**

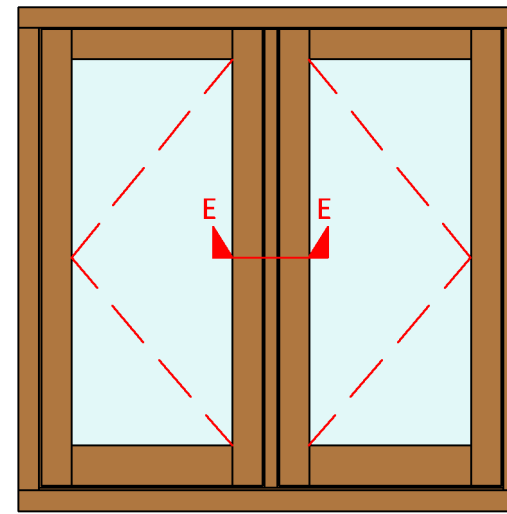
French Meeting Elevation - (Scale 1:15)



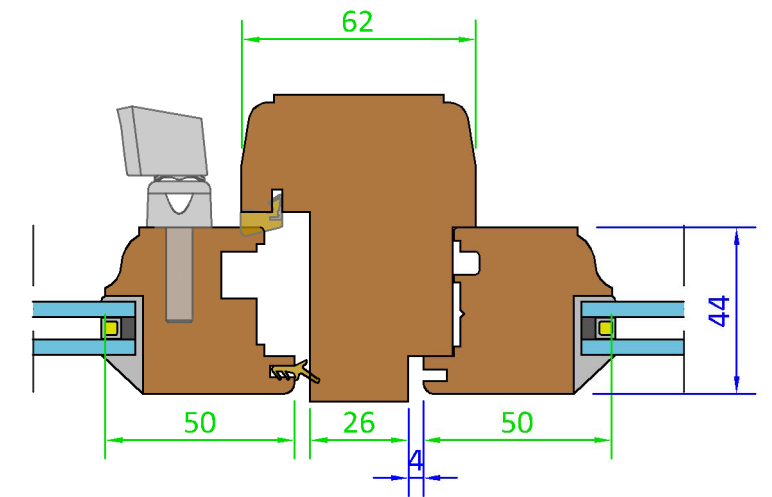
French Window - Section D-D (Scale 1:2)  
Needs to be at least 500mm wide to be a fire escape window.



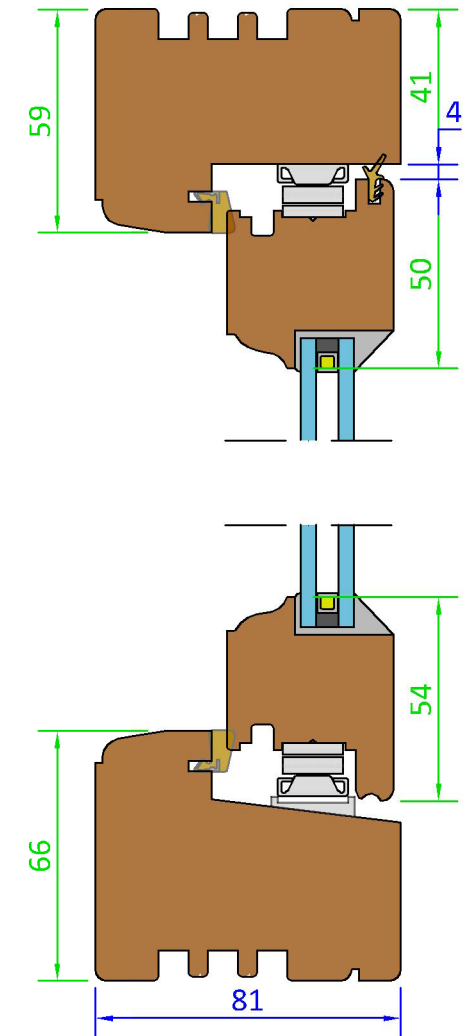
False Mullion Elevation - (Scale 1:15)



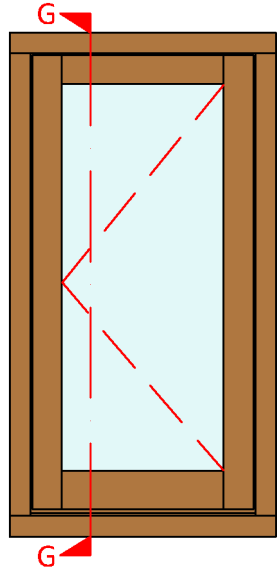
False Mullion - Section E-E (Scale 1:2)



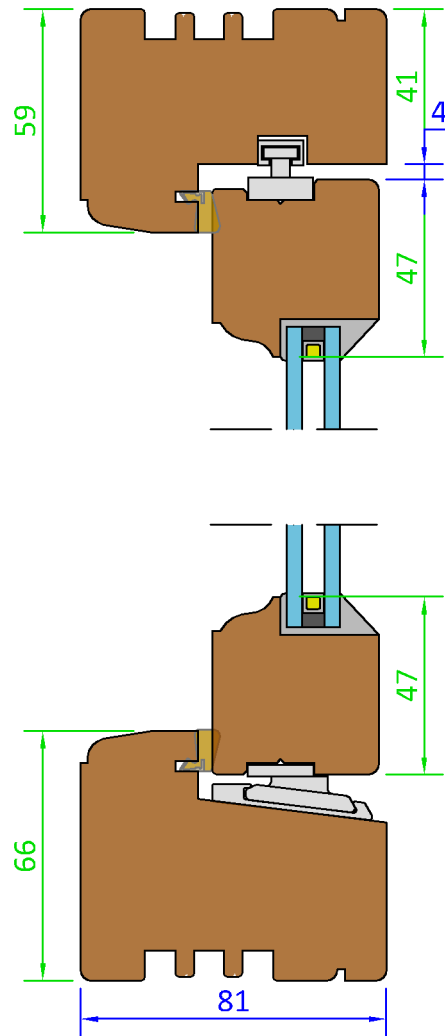
16mm Hinge Option - (Scale 1:2)



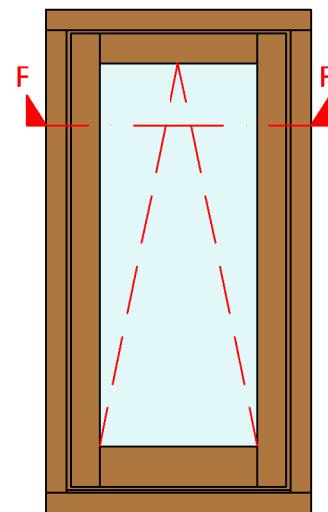
Elevation - Side Hung (Scale 1:15)



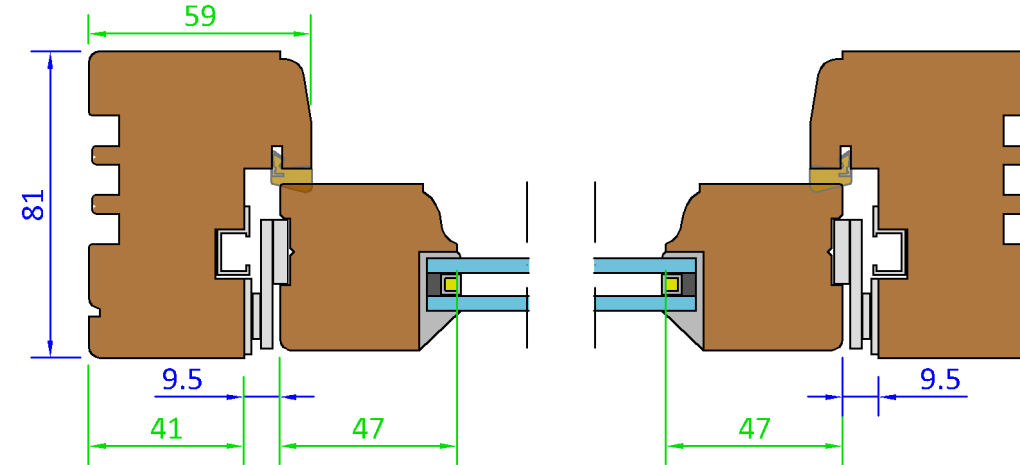
Side Hung Reverse Hinge Option Section G-G - (Scale 1:2)



Elevation - Top Hung (Scale 1:15)



Top Hung Reverse Hinge Option Section F-F - (Scale 1:2)



Variable Dimensions  
(Dim shown is usually min)

Fixed Dimensions

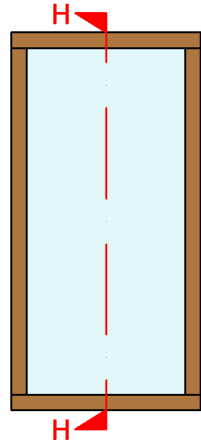
Tolerances: All tolerances are to George Barnsdale Standard Tolerance definitions (see supporting document for more detail) unless stated on the drawing.  
© George Barnsdale & Sons Ltd. All rights reserved. No part of this drawing may be reproduced without the permission of George Barnsdale & Son Ltd.

System: H-C2-81-44		
Title: Traditional - Flush Casement Window		
Scale: As Shown	Rev No: A	Date: 9-Mar-18
Drawn By: LH	Sheet No: 3	Status: Released

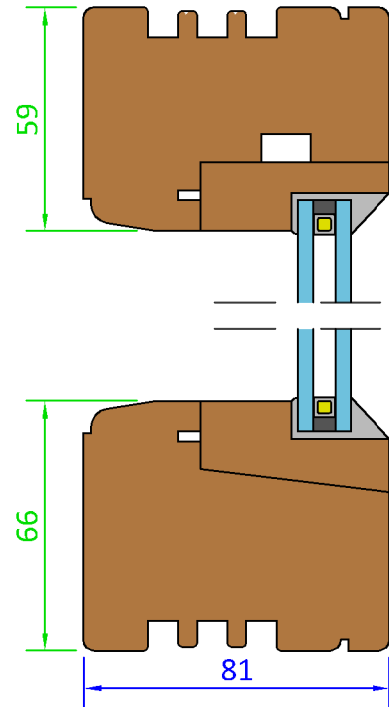
**GEORGE BARNSDALE**  
Est. 1884  
High Street, Donington, Spalding, Lincs, PE11 4TA  
01775 823000  
www.georgebarnsdale.co.uk

**DIRECT GLAZED FRAMES**

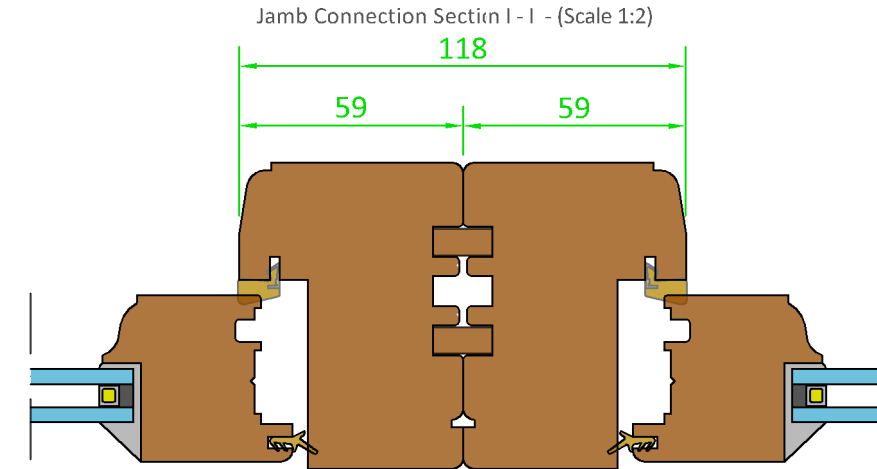
Direct Glazed Elevation- (Scale 1:20)



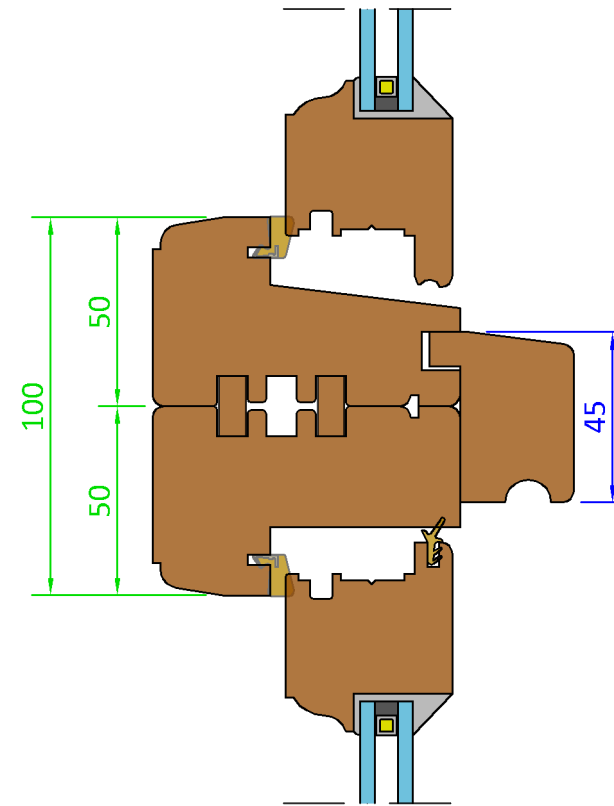
H-H Direct Glazed Options - (Scale 1:2)



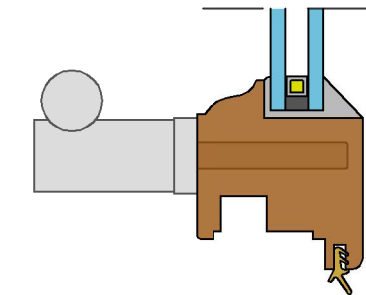
Frame Connection



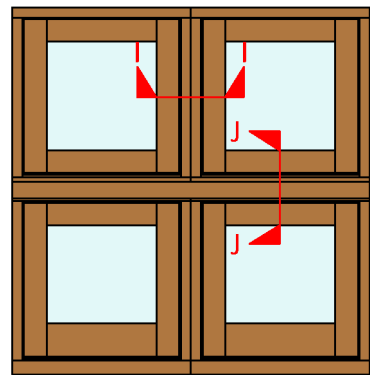
Cover Extension Section J-J - (Scale 1:2)



Handle Option - (Scale 1:2)



Frame Connection Elevation- (Scale 1:20)



Variable Dimensions  
(Dim shown is usually min)

Fixed Dimensions

Tolerances: All tolerances are to George Barnsdale Standard Tolerance definitions (see supporting document for more detail) unless stated on the drawing.  
© George Barnsdale & Sons Ltd. All rights reserved. No part of this drawing may be reproduced without the permission of George Barnsdale & Son Ltd.

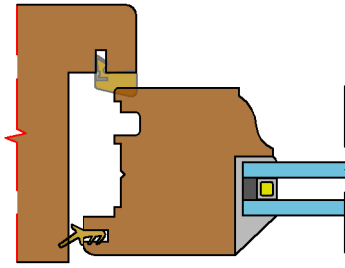
System: H-C2-81-44		
Title: Traditional - Flush Casement Window		
Scale:	As Shown	Rev No: A
		Date: 9-Mar-18
Drawn By:	LH	Sheet No: 4
		Status: Released

**GEORGE BARNSDALE**  
Est. 1884  
High Street, Donington, Spalding, Lincs, PE11 4TA  
01775 823000  
www.georgebarnsdale.co.uk

FRAME OPTIONS - (Scale 1:2)

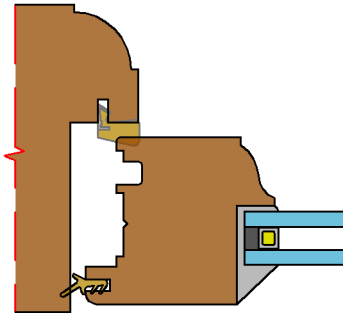
Frame Inside Options - 68mm

Pencil Round Profile



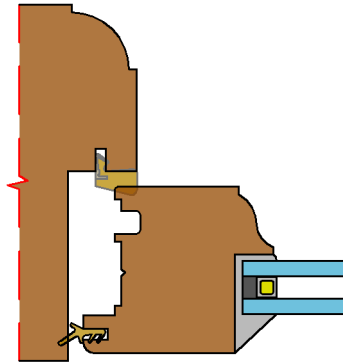
Frame Inside Options - 81mm

Ovolo Profile



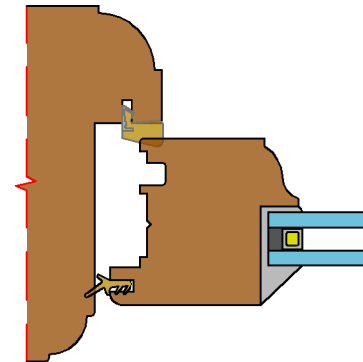
Frame Inside Options - 94mm

Ovolo Profile



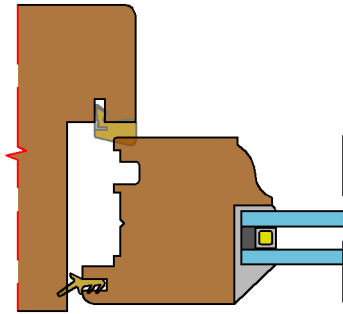
Extended Frame Options  
(94mm only)

Ovolo Extended Profile

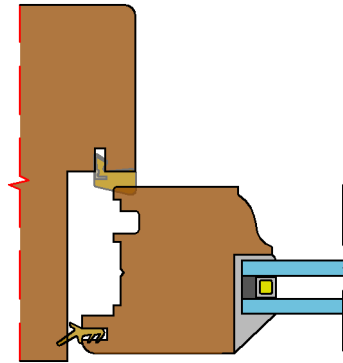


See extended frame master drawing for full details

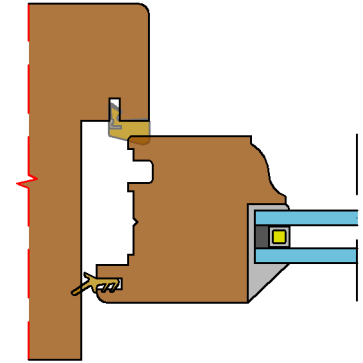
Pencil Round Profile



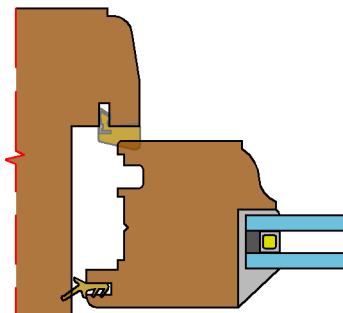
Pencil Round Profile



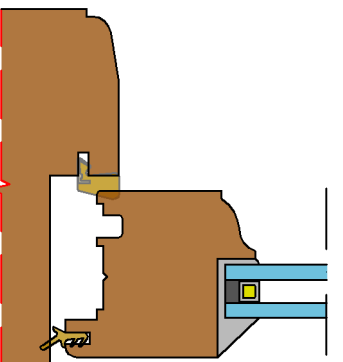
Pencil Round Extended Profile



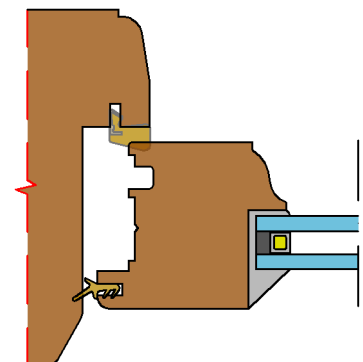
Standard Profile



Standard Profile



Bevel Extended Profile



(Extended frame options available with full range of inside profiles.)

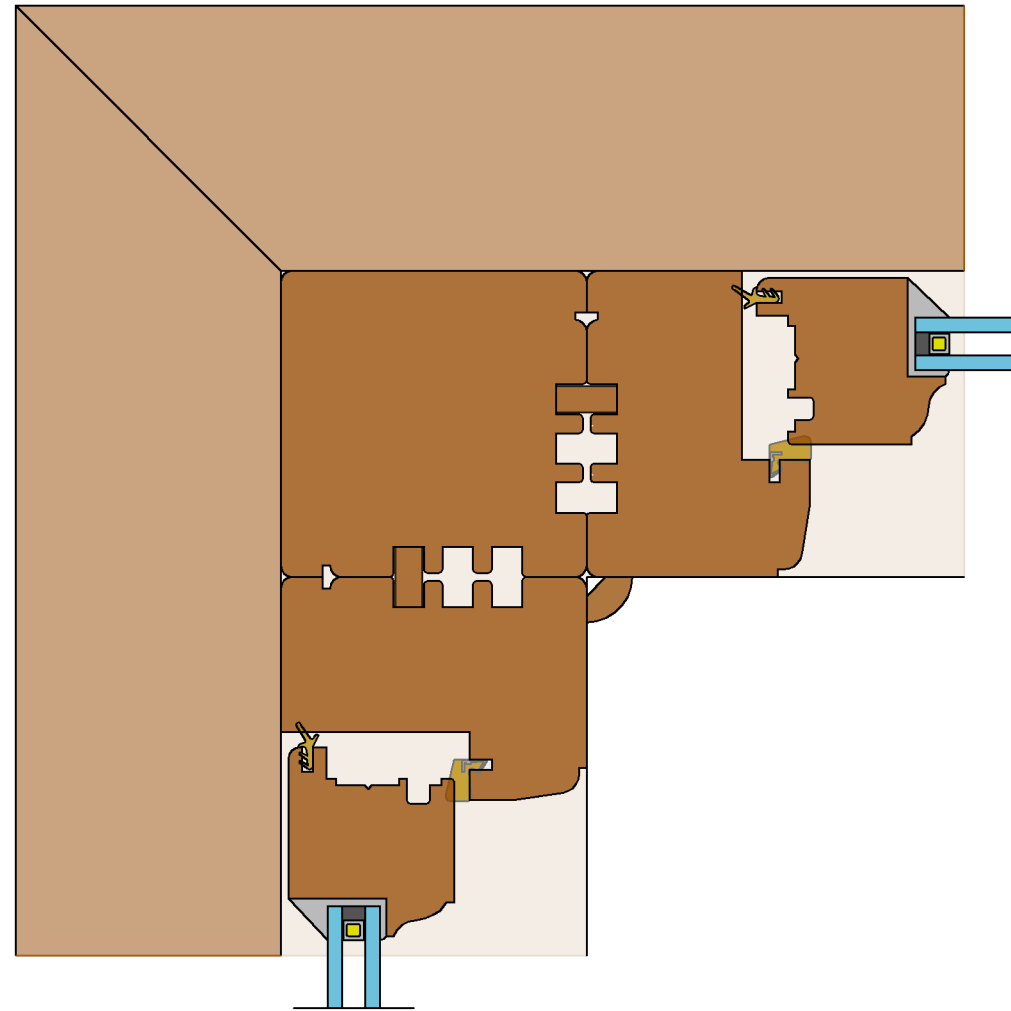
Variable Dimensions  
(Dim shown is usually min)

Fixed Dimensions

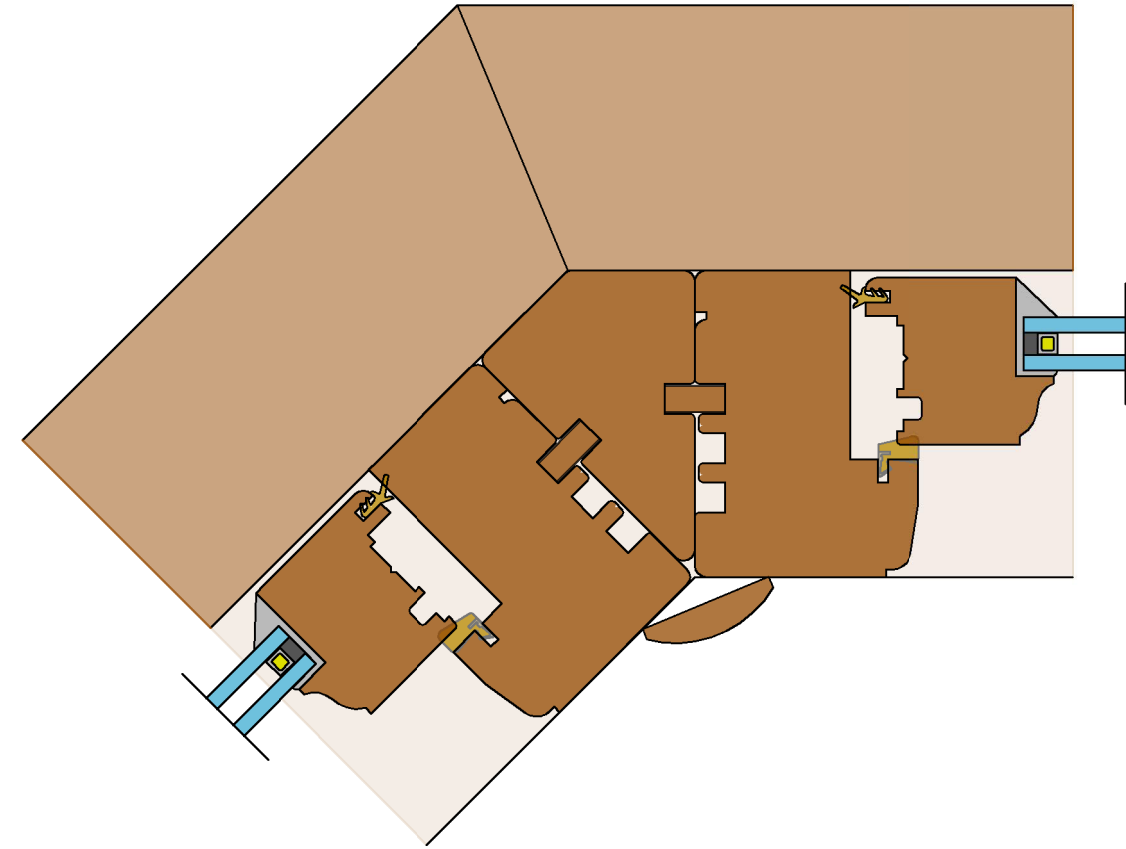
System: H-C2-81-44		
Title: Traditional - Flush Casement Window		
Scale:	As Shown	Rev No: A
		Date: 9-Mar-18
Drawn By:	LH	Sheet No: 5
		Status: Released

BAY CONNECTION DETAILS - (Scale 1:2)

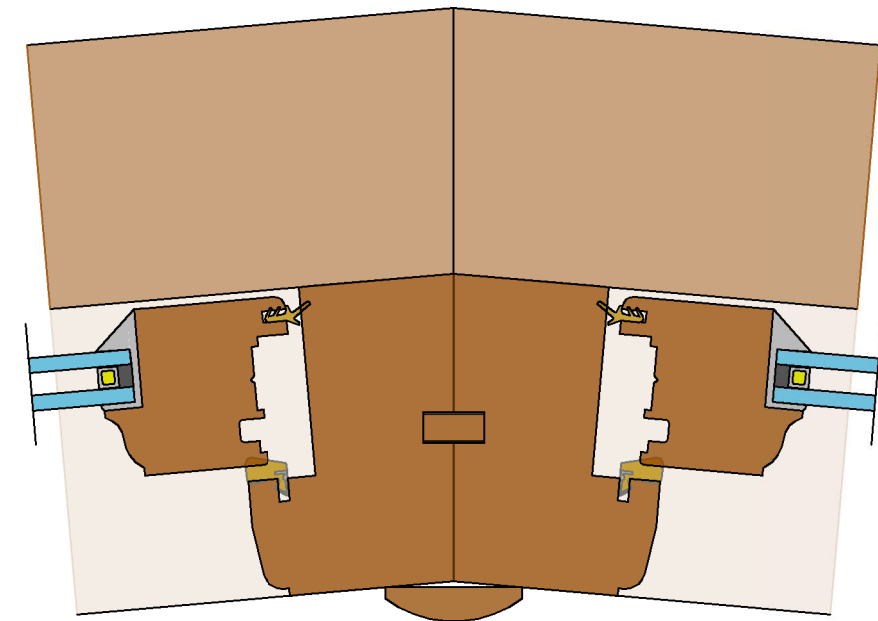
90° Corner Post



91-155° Angled Corner Post



156-179° Segmented Bay



— Variable Dimensions  
(Dim shown is usually min)

— Fixed Dimensions

System: H-C2-81-44			
Title: Traditional - Flush Casement Window			
Scale:	As Shown	Rev No: A	Date: 9-Mar-18
Drawn By:	LH	Sheet No: 5	Status: Released

**GEORGE BARNSDALE**  
Est. 1884

High Street, Donington, Spalding, Lincs, PE11 4TA  
01775 823000  
www.georgebarnsdale.co.uk

Tolerances: All tolerances are to George Barnsdale Standard Tolerance definitions (see supporting document for more detail) unless stated on the drawing.  
© George Barnsdale & Sons Ltd. All rights reserved. No part of this drawing may be reproduced without the permission of George Barnsdale & Son Ltd.