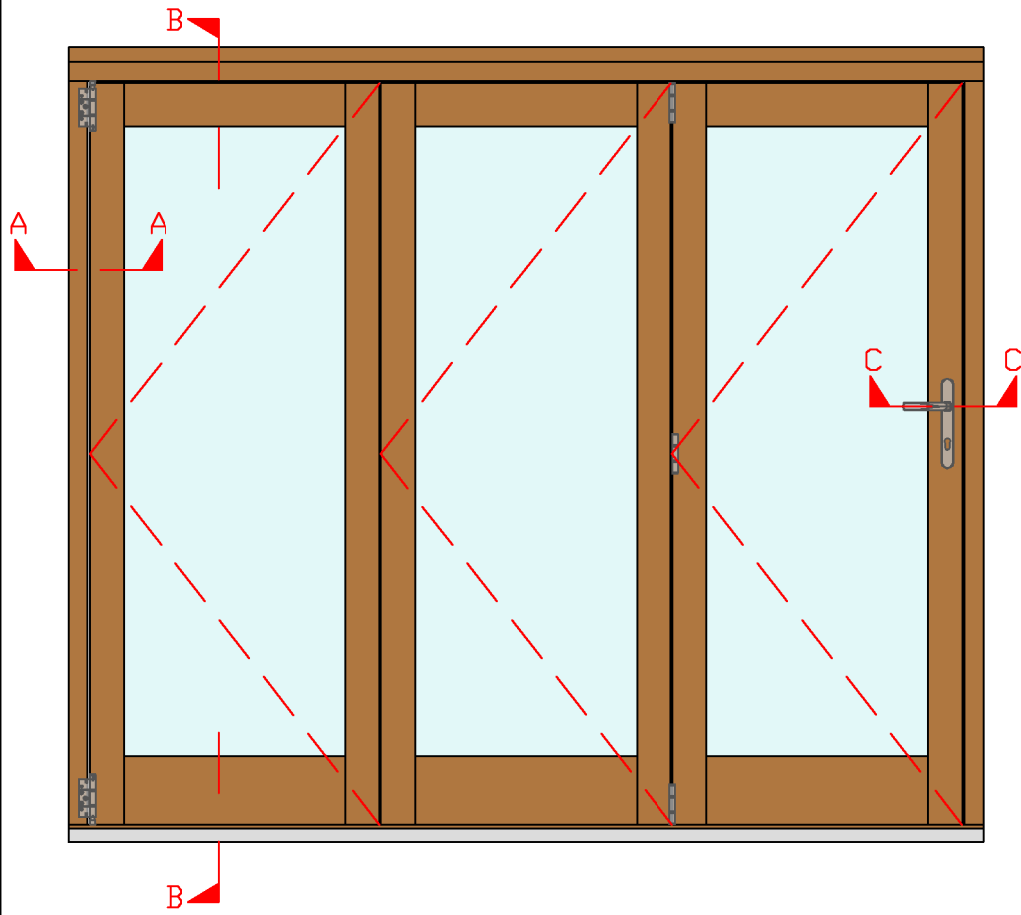
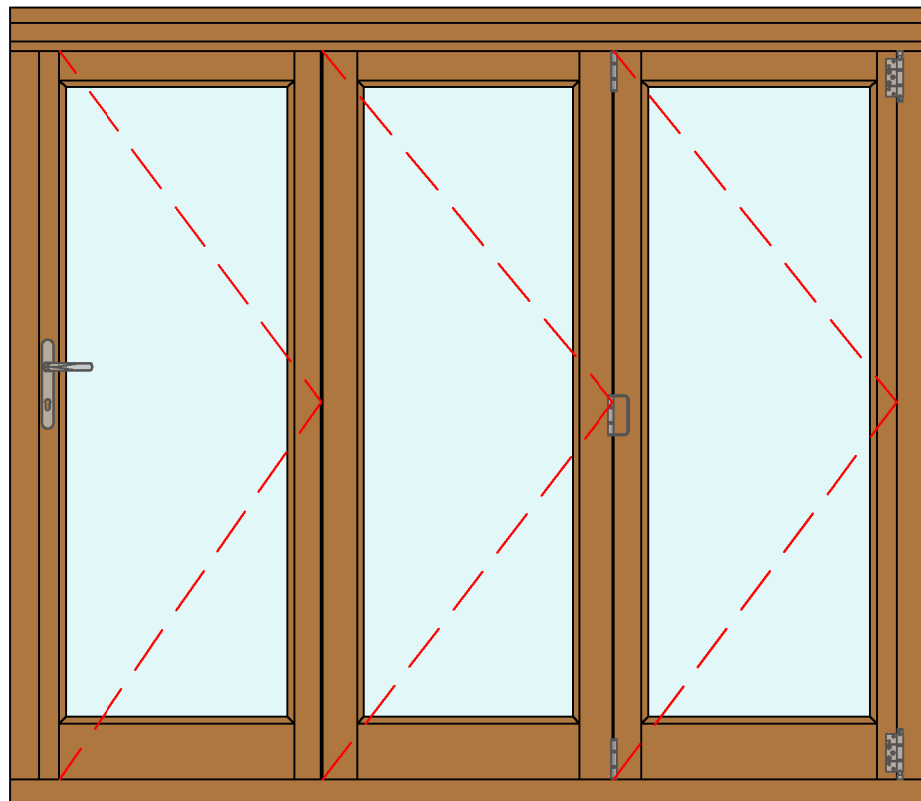


ELEVATIONS

Elevation 1 - Outside View (Scale 1:20)

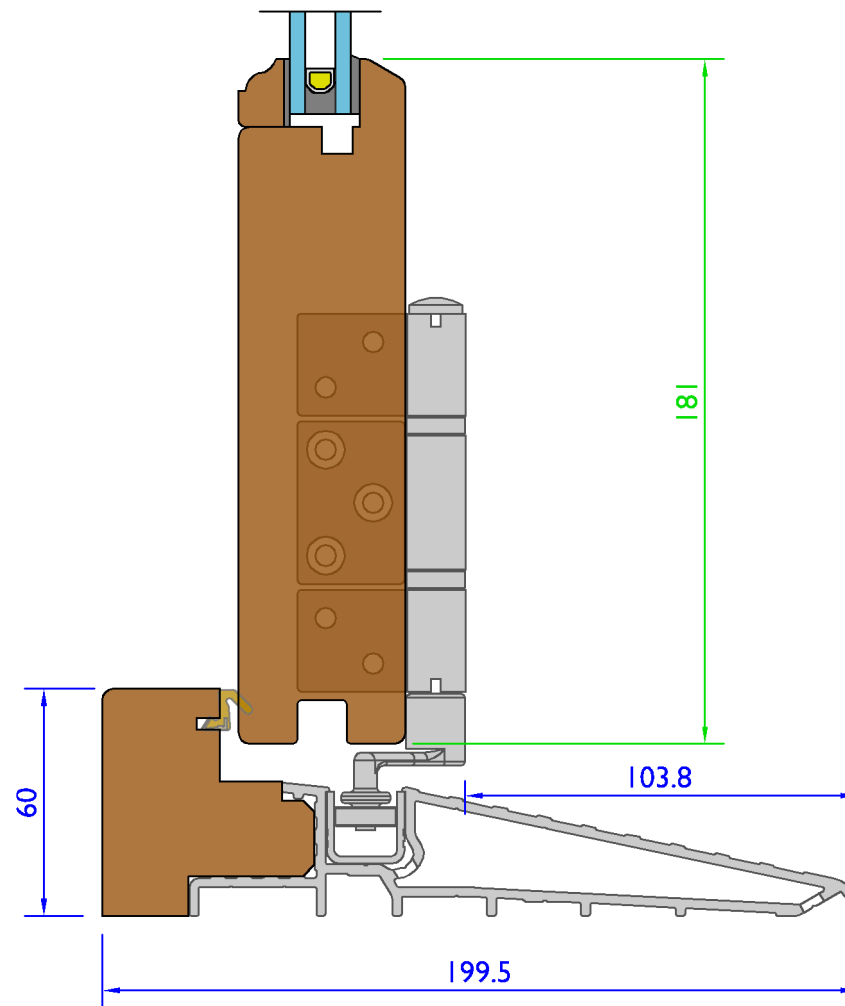
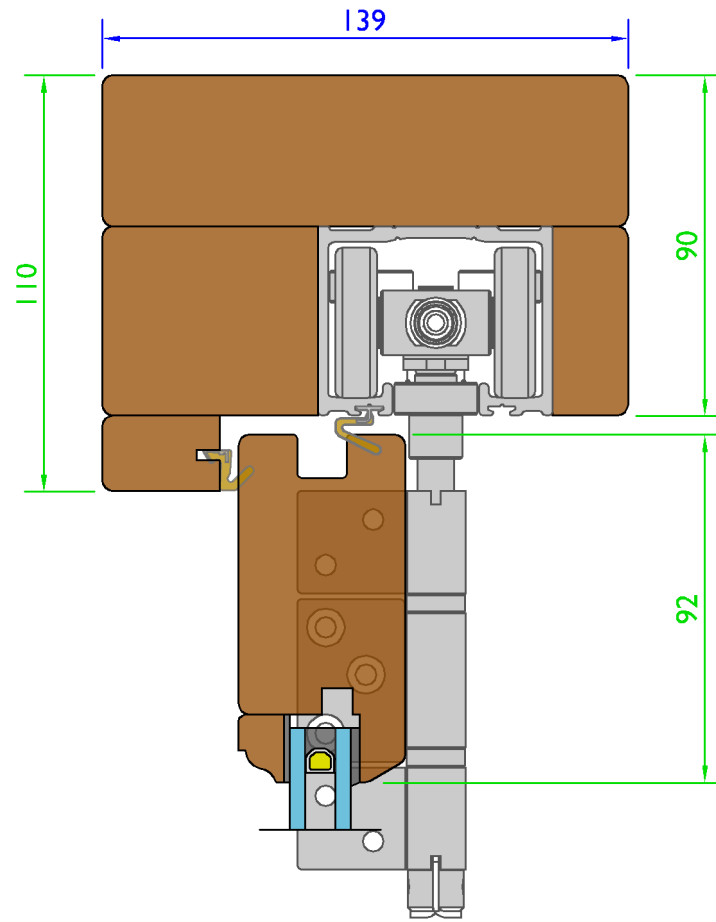


Elevation 2 - Inside View (Scale 1:20)

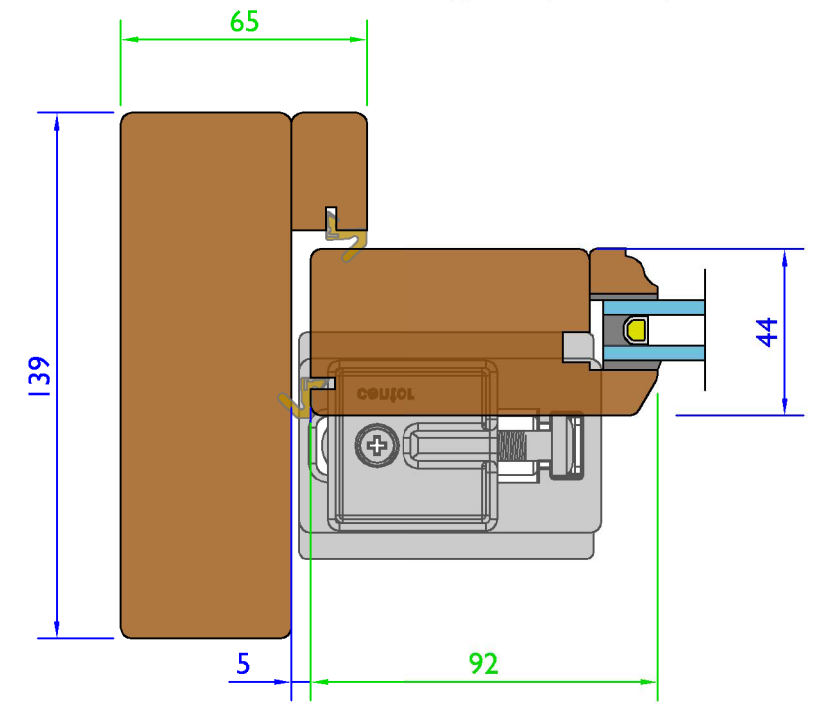


SECTIONS

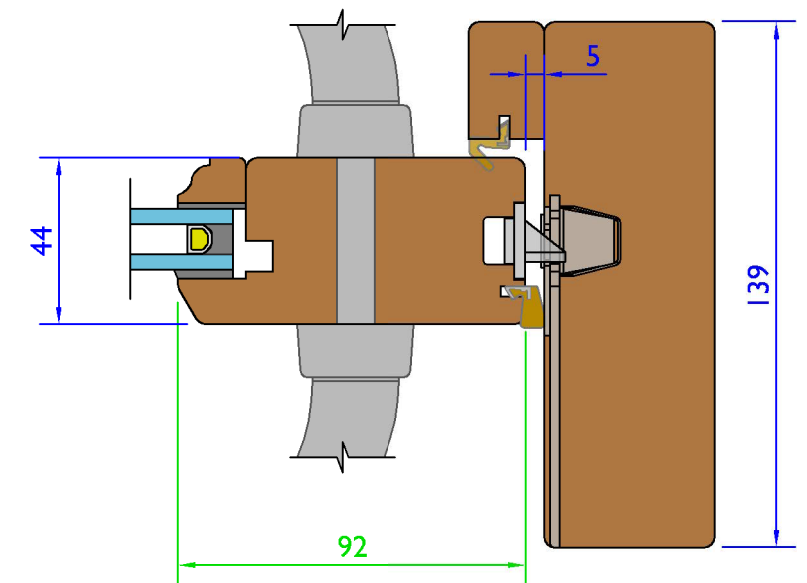
Section A-A - Head and Cill - (Scale 1:2)



Section A-A - Upper Jamb Type 7 - (Scale 1:2)



Section C-C - Upper Jamb Type 2 - (Scale 1:2)



Variable Dimensions
(Dim shown is usually min)

Fixed Dimensions

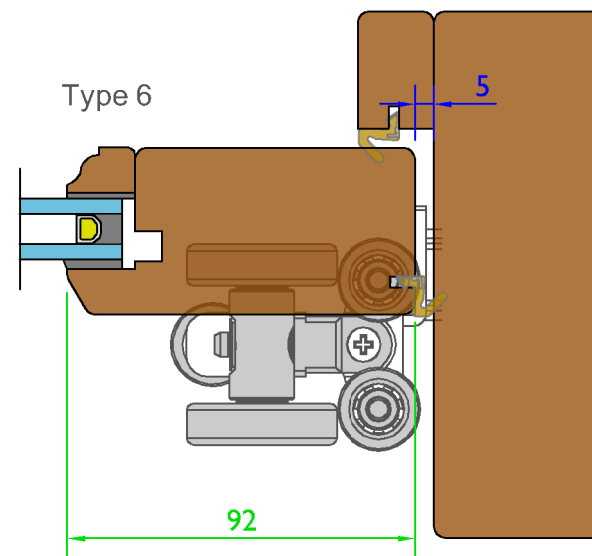
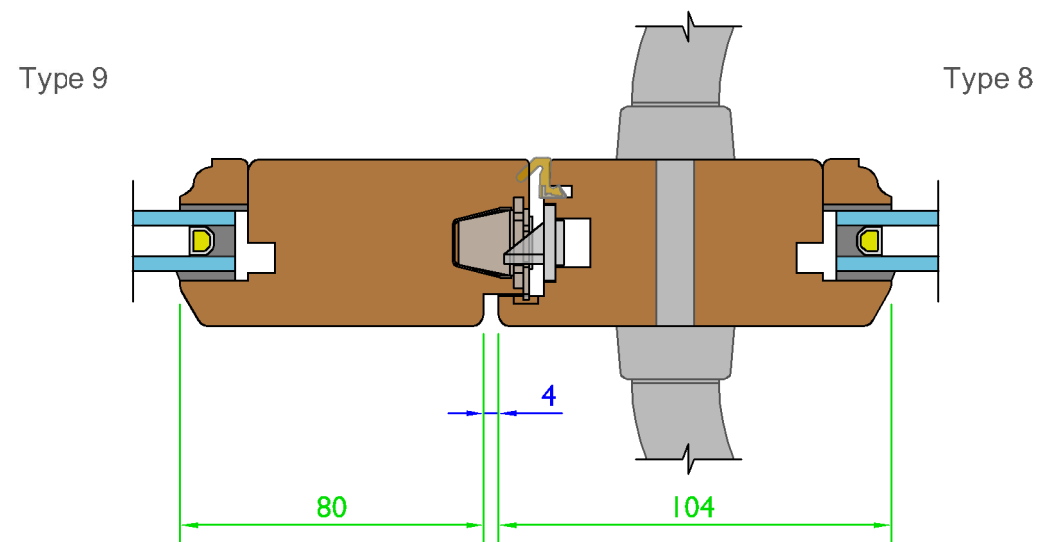
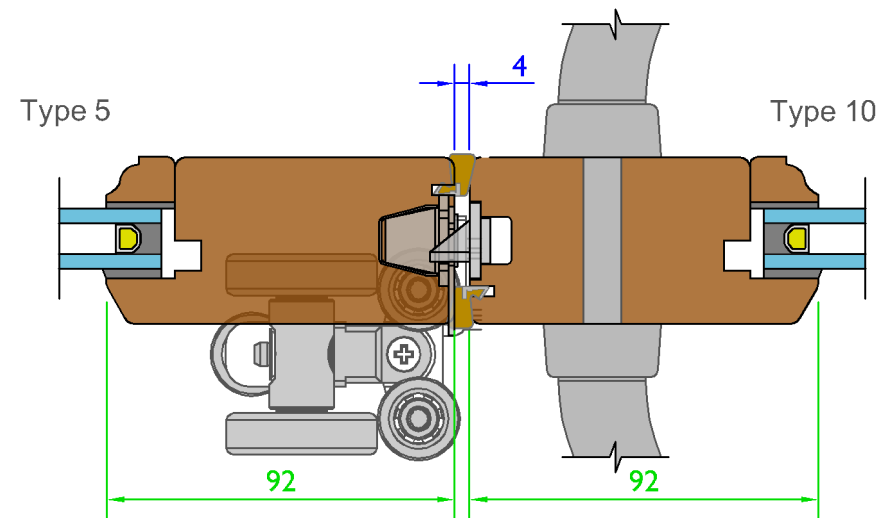
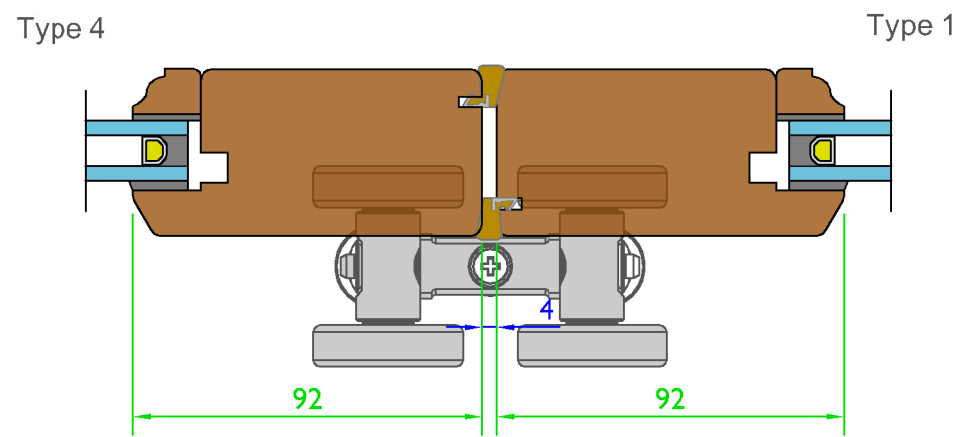
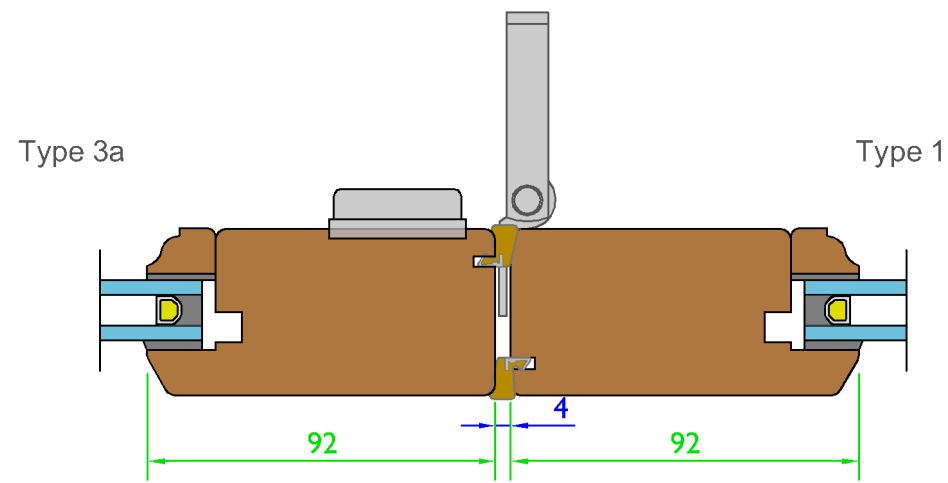
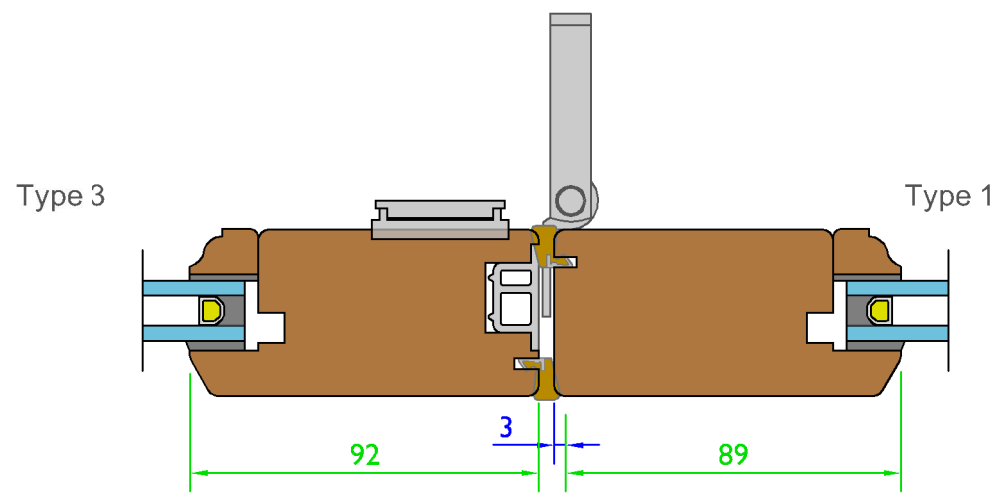
Tolerances: All tolerances are to George Barnsdale Standard Tolerance definitions (see supporting document for more detail) unless stated on the drawing.
© George Barnsdale & Sons Ltd. All rights reserved. No part of this drawing may be reproduced without the permission of George Barnsdale & Son Ltd.

System: T-DS17-139		
Title: Traditional Slim - Bifold Patio Door (Oper Out 44mm)		
Scale:	As Shown	Rev No: A
		Date: 24-Oct-16
Drawn By:	LS	Sheet No: 1
		Status: WIP

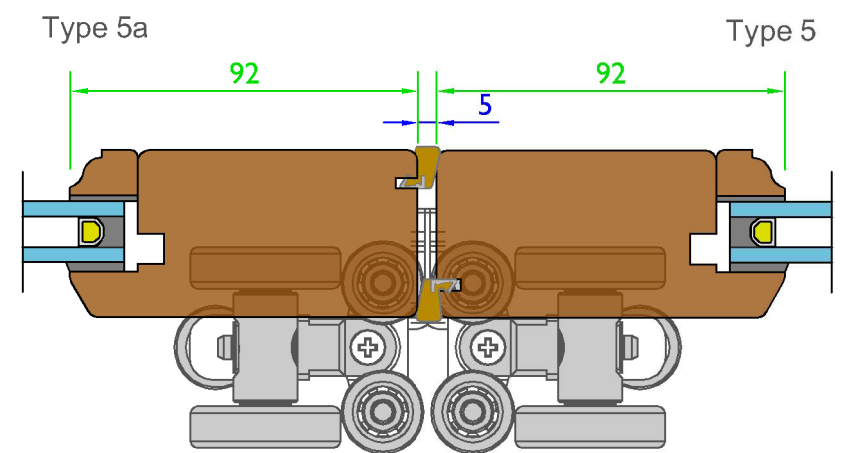
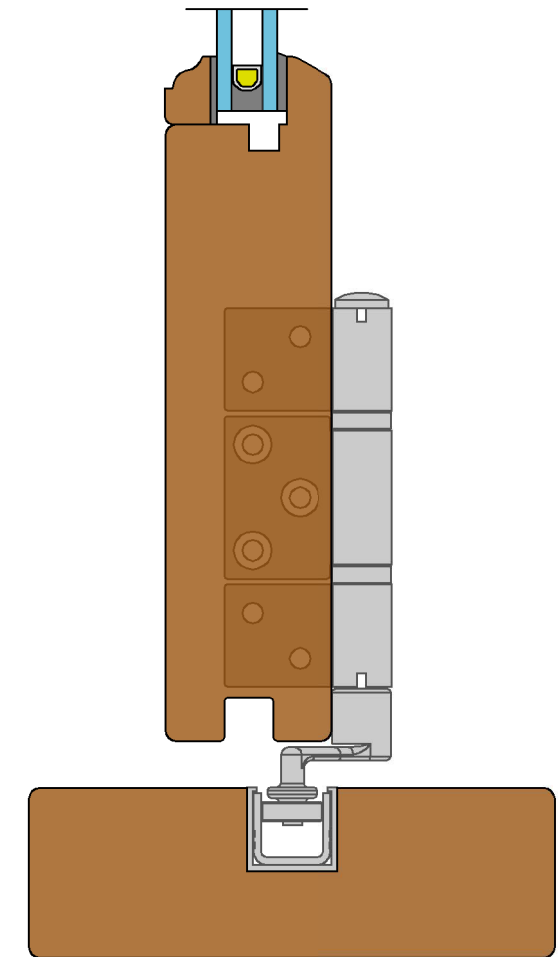
GEORGE BARNSDALE
Est. 1884
High Street, Dorington, Spalding, Lincs, PE11 4TA
01775 82300
www.georgebarnsdale.co.uk

DETAILS - (Scale 1:2)

Opening Sections (dependant on configuration)



Timber Cill Option - (Scale 1:2)
(Internal use only)



— Variable Dimensions
(Dim shown is usually min)

— Fixed Dimensions

Tolerances: All tolerances are to George Barnsdale Standard Tolerance definitions (see supporting document for more detail) unless stated on the drawing.
© George Barnsdale & Sons Ltd. All rights reserved. No part of this drawing may be reproduced without the permission of George Barnsdale & Son Ltd.

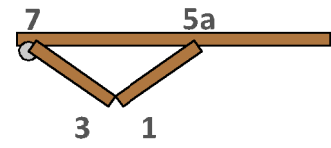
System: T-DS17-139		
Title: Traditional Slim - Bifold Patio Door (Oper Out 44mm)		
Scale:	As Shown	Rev No: A
		Date: 24-Oct-16
Drawn By:	LS	Sheet No: 2
		Status: WIP

GEORGE BARNSDALE
Est. 1884
High Street, Donington, Spalding, Lincs, PE11 4TA
01775 82300
www.georgebarnsdale.co.uk

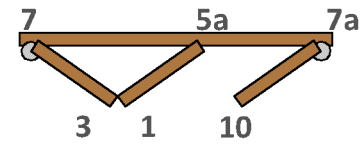
SCHEME PLANS OPTIONS(Scale 1:40)

(All schemes can be mirrored)

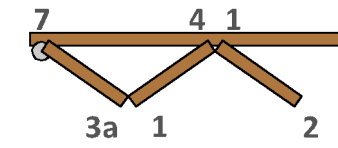
Scheme 220 - (DS17-220) (*)



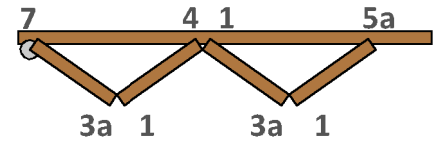
Scheme 321 - (DS17-321)



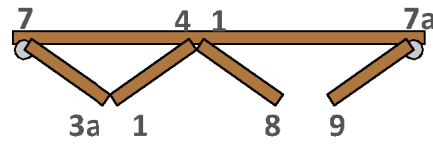
Scheme 330 - (DS17-321)



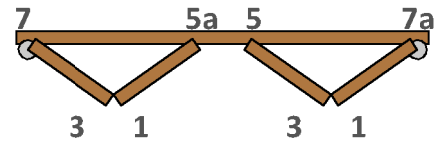
Scheme 440 - (DS17-440) (*)



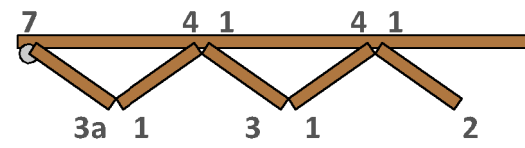
Scheme 431 - (DS17-431)



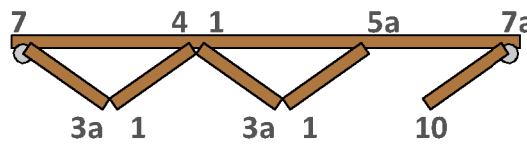
Scheme 422 - (DS17-422) (*)



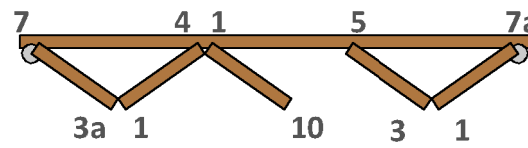
Scheme 550 - (DS17-550)



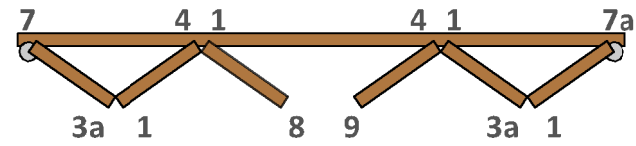
Scheme 541 - (DS17-541)



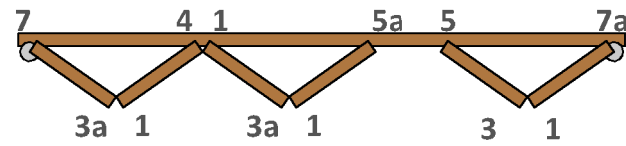
Scheme 532 - (DS17-532)



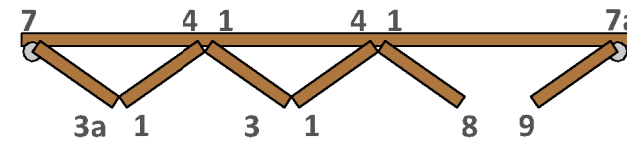
Scheme 633 - (DS17-633)



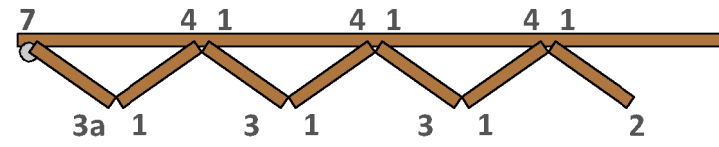
Scheme 642 - (DS17-642) (*)



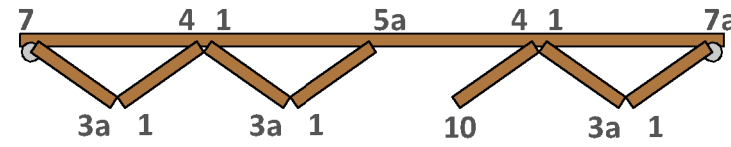
Scheme 651 - (DS17-651)



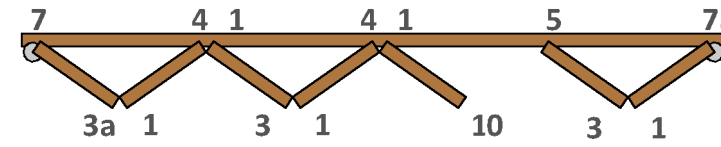
Scheme 770 - (DS17-770)



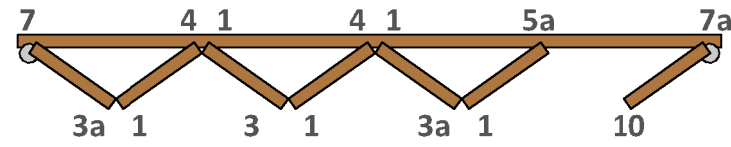
Scheme 743 - (DS17-743)



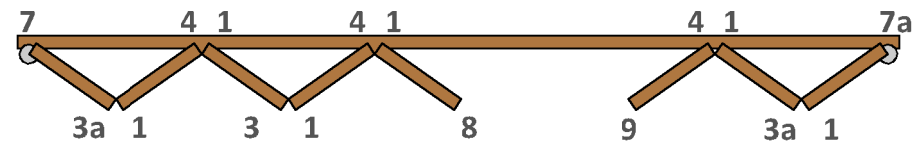
Scheme 752 - (DS17-752)



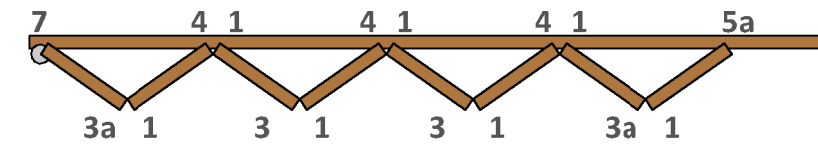
Scheme 761 - (DS17-761)



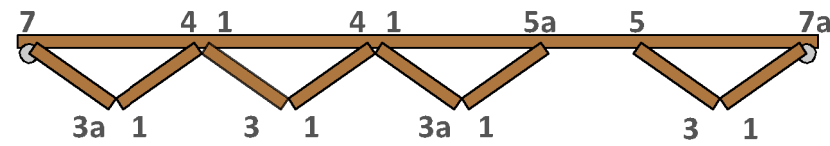
Scheme 853 - (DS17-853)



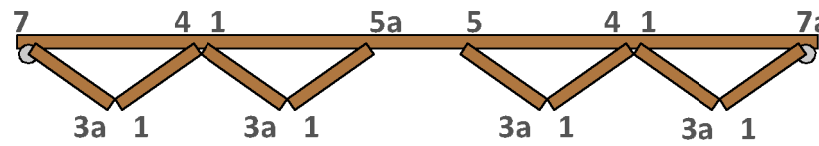
Scheme 880 - (DS17-880) (*)



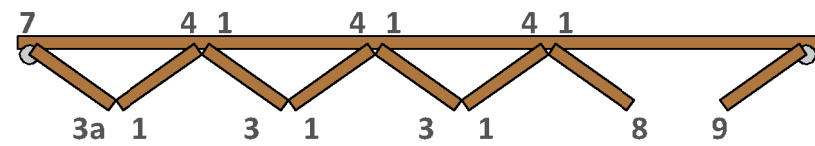
Scheme 862 - (DS17-862) (*)



Scheme 844 - (DS17-844) (*)



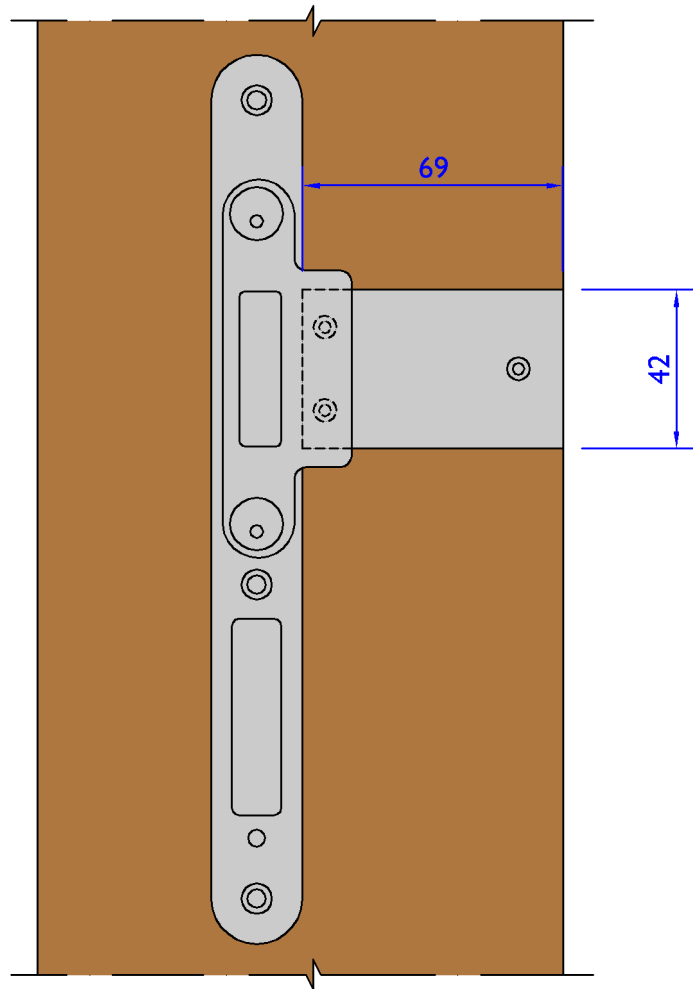
Scheme 871 - (DS17-871)



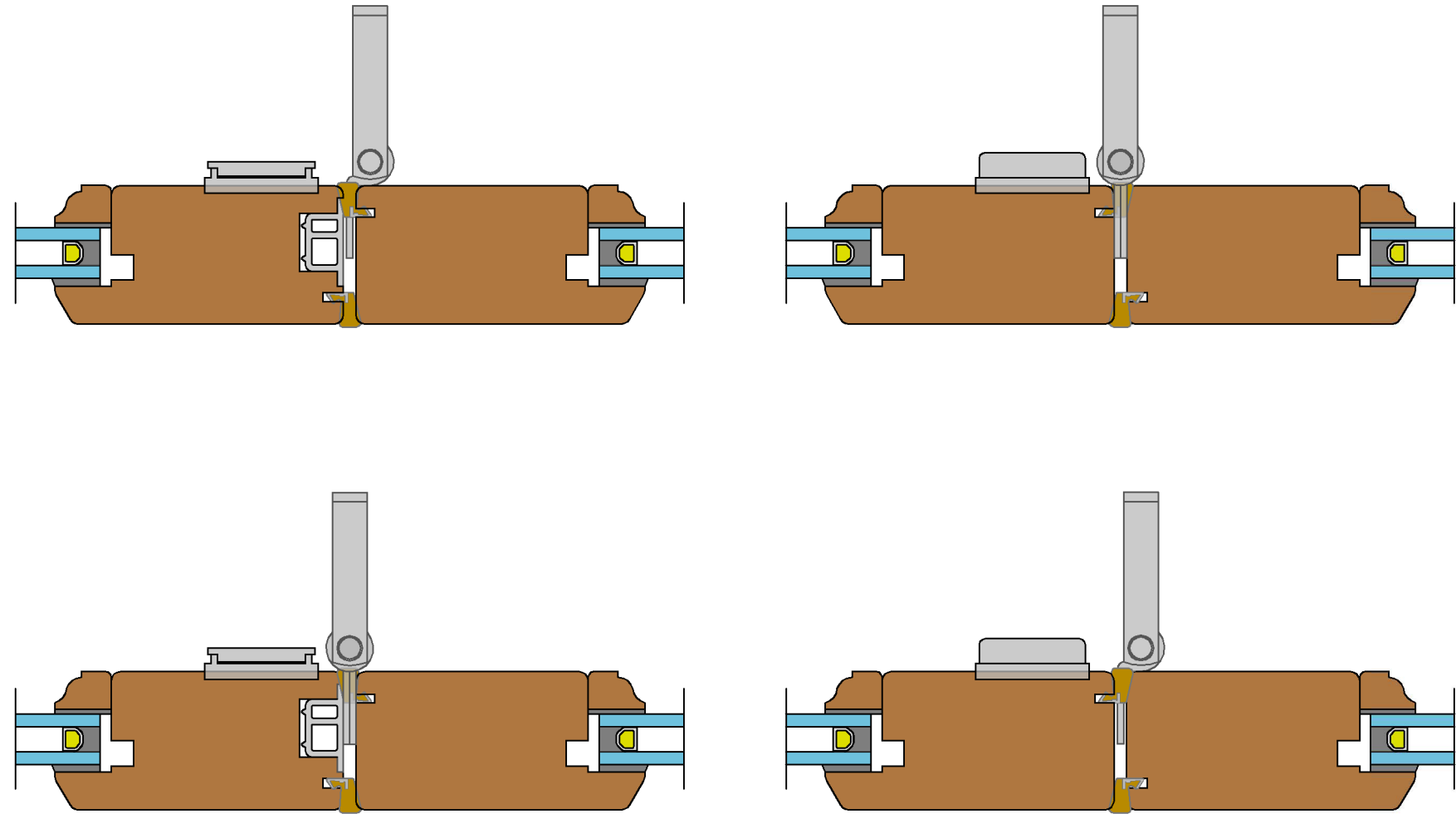
(*) Note: Not accessible from the outside.

System: T-DS17-139		
Title: Traditional S111 - Bifold Patio Door (Open Out 44mm)		
Scale:	Rev No:	Date:
As Shown	A	24-Oct-16
Drawn By:	Sheet No:	Status:
LS	4	WIP

Keep Detail - (Scale 1:2)



Hinge set options - (Scale 1:2)



Variable Dimensions
(Dim shown is usually min)

Fixed Dimensions

Tolerances: All tolerances are to George Barnsdale Standard Tolerance definitions (see supporting document for more detail) unless stated on the drawing.
© George Barnsdale & Sons Ltd. All rights reserved. No part of this drawing may be reproduced without the permission of George Barnsdale & Son Ltd.

System: T-DS17-139		
Title: Traditional Slim - Bifold Patio Door (Oper Out 44mm)		
Scale:	As Shown	Rev No: A
		Date: 24-Oct-16
Drawn By:	LS	Sheet No: 3
		Status: WIP

GEORGE BARNSDALE
Est. 1884
High Street, Donington, Spalding, Lincs, PE11 4TA
01775 82300
www.georgebarnsdale.co.uk