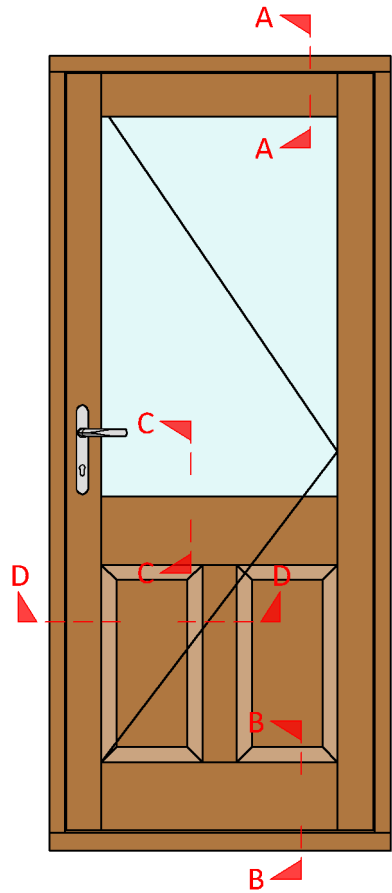
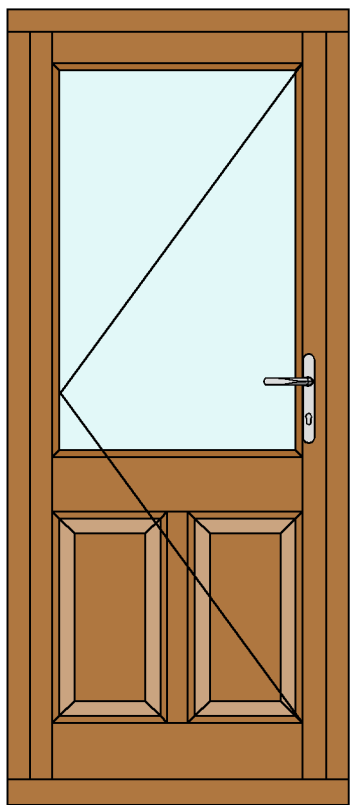


**ELEVATIONS (Scale 1:20)**

Elevation 1 - Outside View

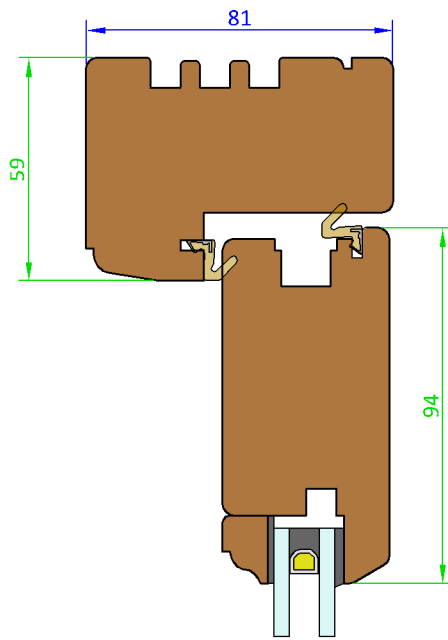


Elevation 2 - Inside View

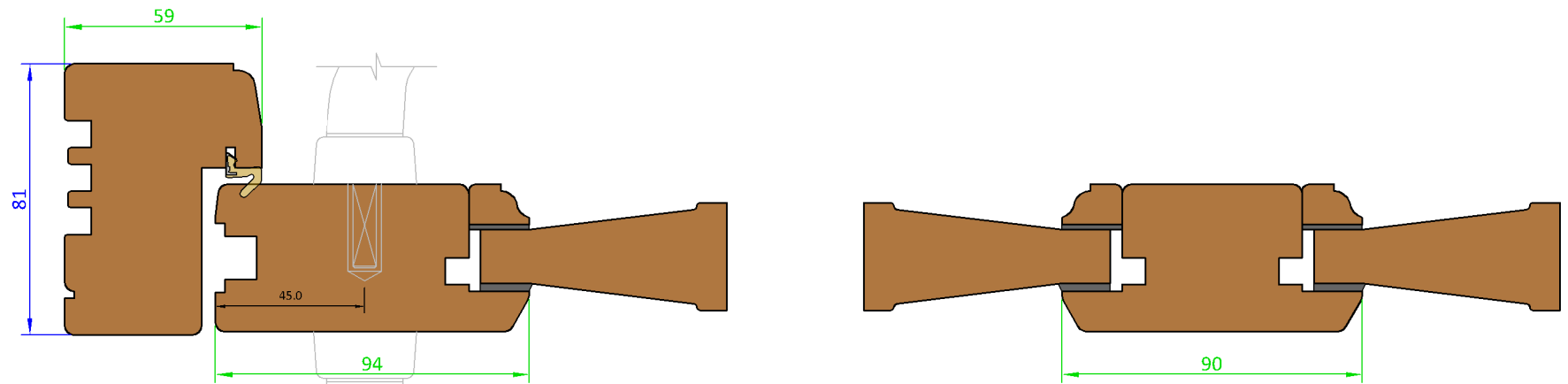


**SECTIONS (Scale 1:2)**

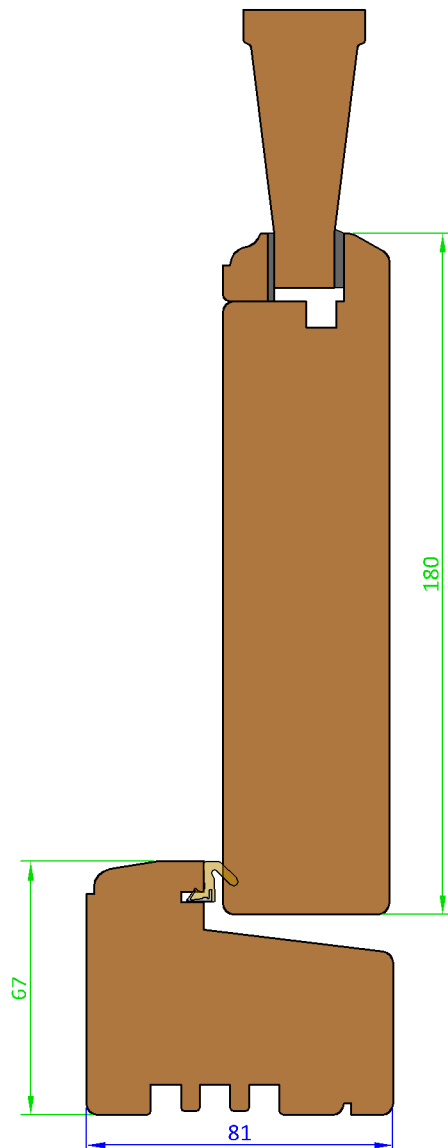
Section A-A - Head Detail (Scale 1:2)



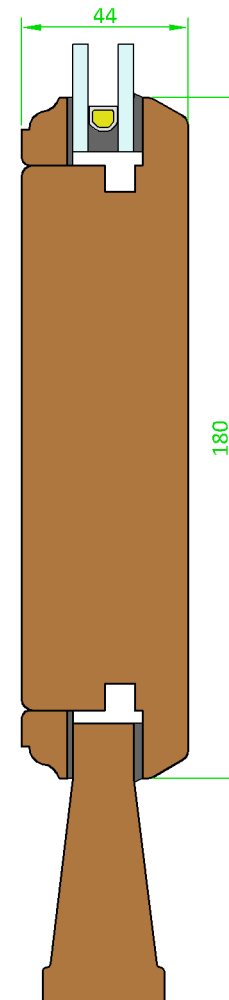
Section D-D - Jambs & Vertical Rail (Scale 1:2)



Section B-B - Cill Detail (Scale 1:2)



Section C-C - Mid Rail Detail (Scale 1:2)



**Tolerances:** All tolerances are to George Barnsdale Standard Tolerance definitions (see supporting document for more detail) unless stated on the drawing.  
 © George Barnsdale & Sons Ltd. All rights reserved. No part of this drawing may be reproduced without the permission of George Barnsdale & Son Ltd.

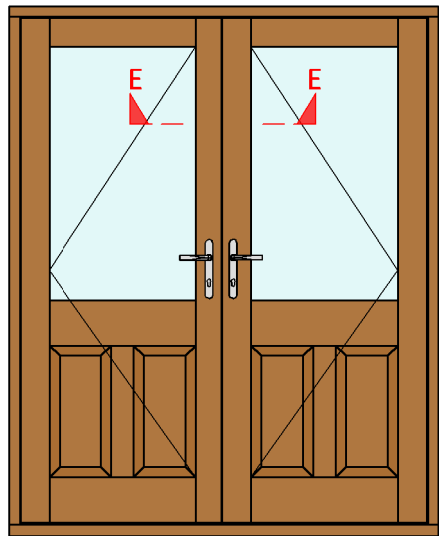
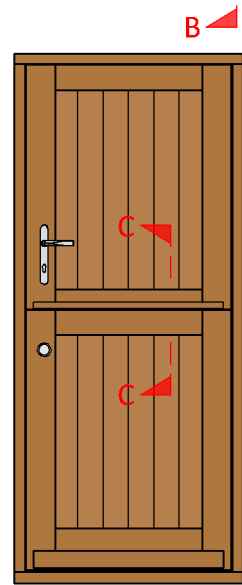
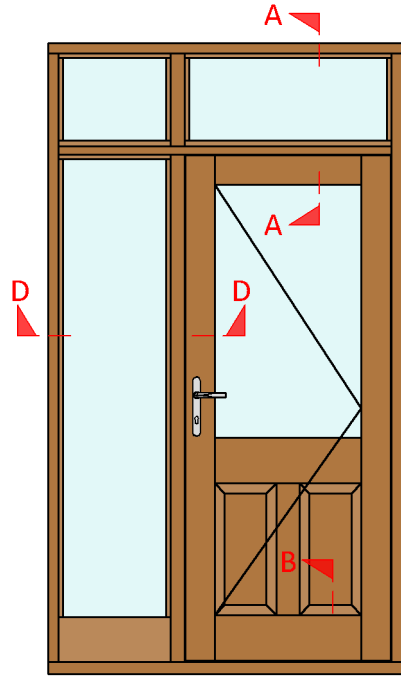
Variable Dimensions  
 Fixed Dimensions

Title: Architects Details - DS5-81-AD DS5-81 Outward Opening Door		
Scale: As Shown	Date: 02-Jul-14	Sheet No: 1 of 4
Drawn: LRP	Approved:	Rev: 0

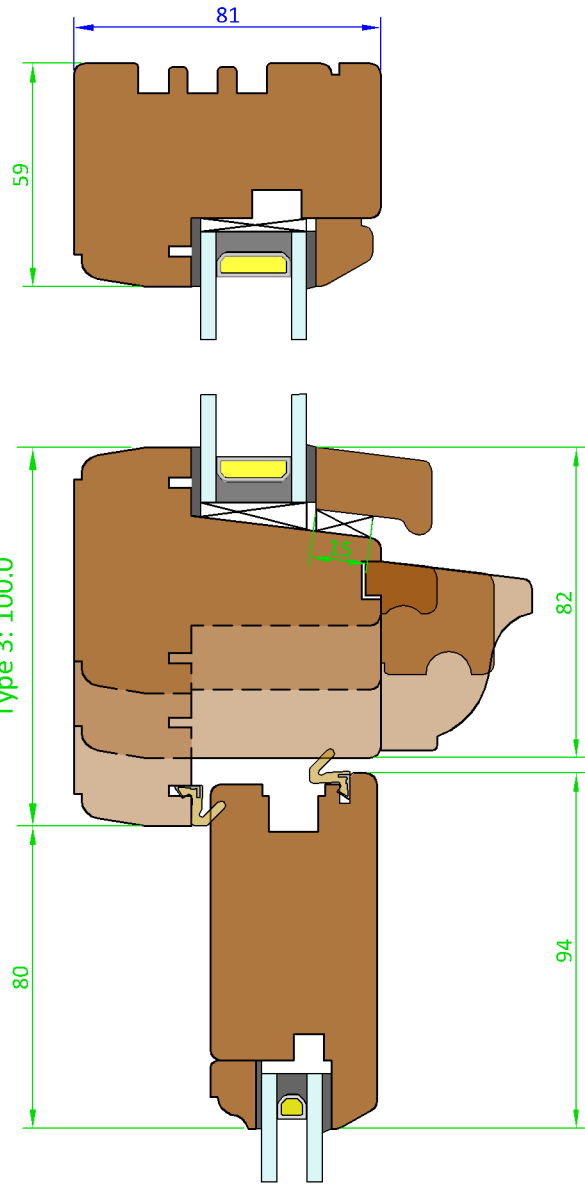
**GEORGE BARNSDALE**  
 ESTABLISHED 1884

High Street, Donington, Spalding, Lincs, PE11 4TA.  
 T: 01775 823000 F: 01775 823010  
 enquiries@georgebarnsdale.co.uk  
 www.georgebarnsdale.co.uk

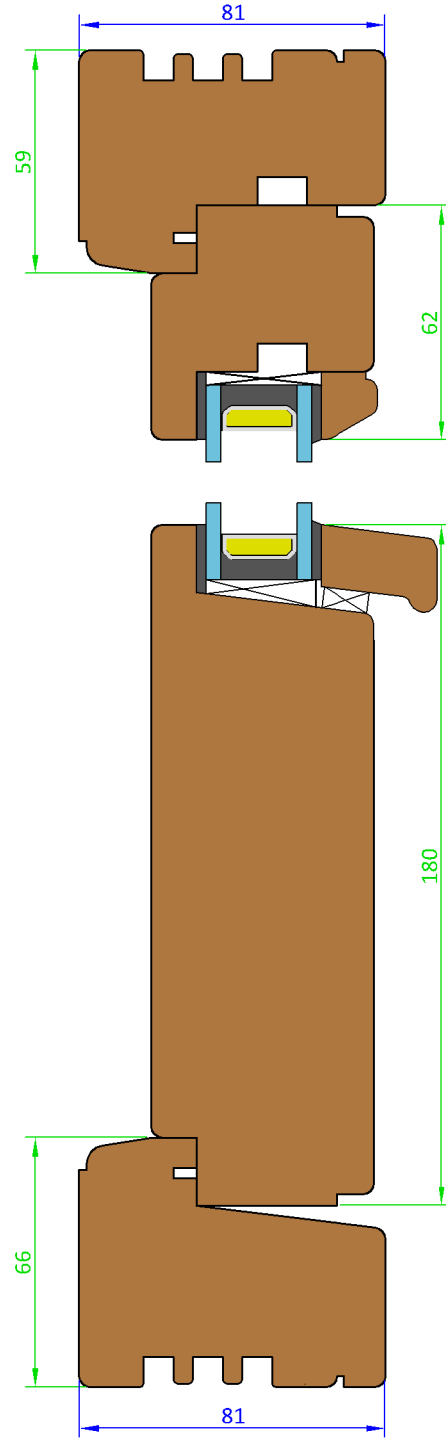
OPTIONS



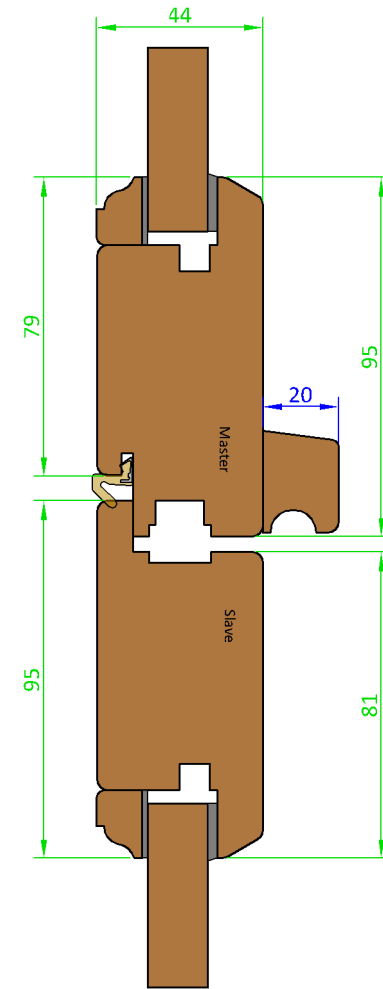
Section A - A - (Scale 1:2)



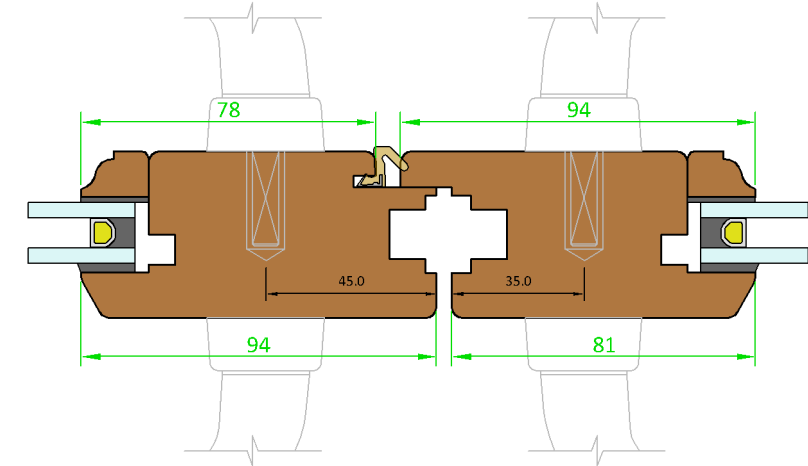
Section B-B - (Scale 1:2)



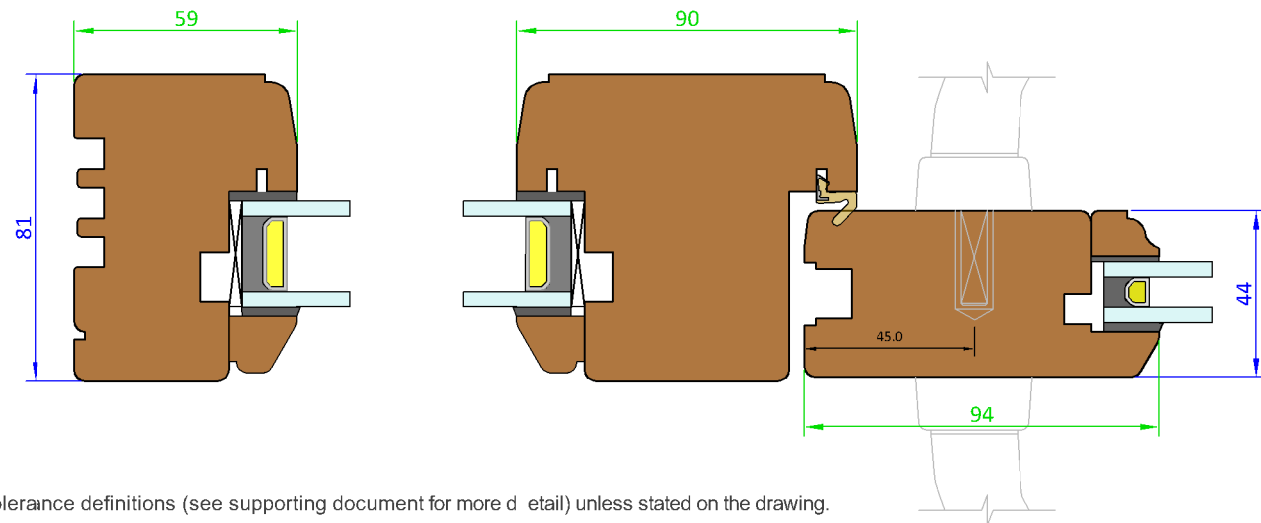
Stable Door Meeting C-C - (Scale 1:2)



French Door Meeting E-E - (Scale 1:2)



Section D-D - (Scale 1:2)



Standard: 65  
Type 1: 65.0  
Type 2: 82.0  
Type 3: 100.0

Variable Dimensions  
Fixed Dimensions

Tolerances: All tolerances are to George Barnsdale Standard Tolerance definitions (see supporting document for more detail) unless stated on the drawing.  
© George Barnsdale & Sons Ltd. All rights reserved. No part of this drawing may be reproduced without the permission of George Barnsdale & Son Ltd.

Title: Architects Details - DS5-81-AD DS5-81 Outward Opening Door		
Scale: As Shown	Date: 02-Jul-14	Sheet No: 2 of 4
Drawn: LRP	Approved:	Rev: 0

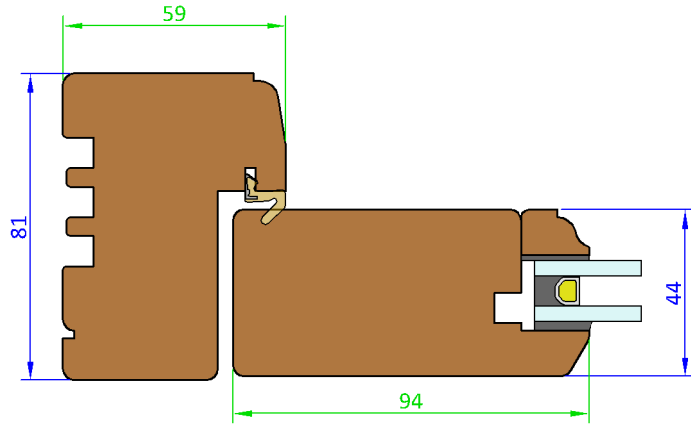
**GEORGE BARNSDALE**  
ESTABLISHED 1884

High Street, Donington, Spalding, Lincs, PE11 4TA.  
T: 01775 823000 F: 01775 823010  
enquiries@georgebarnsdale.co.uk  
www.georgebarnsdale.co.uk

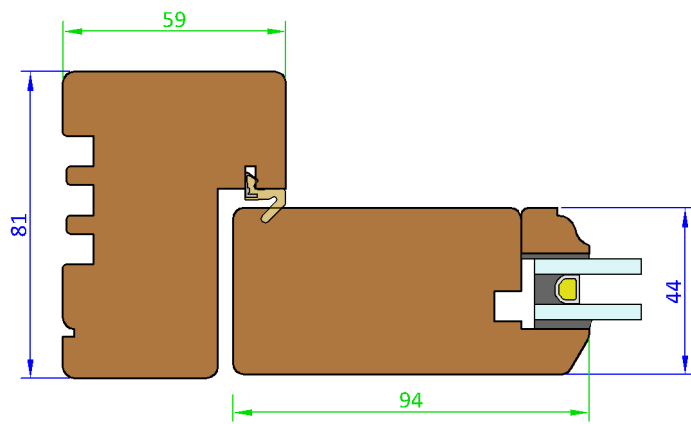
**OPTIONS**

**Frame and Sash Options - (Scale 1:2)**

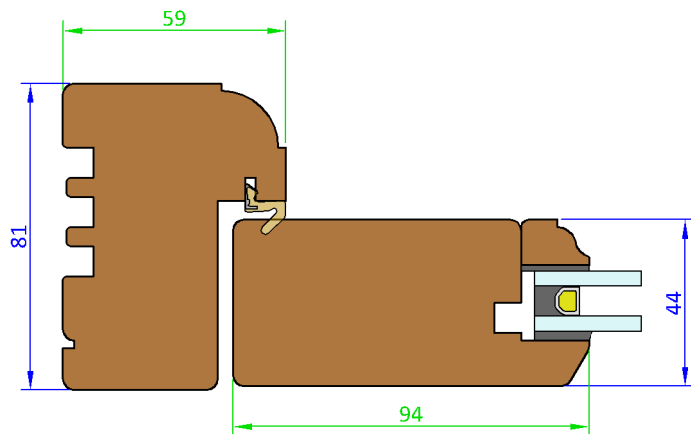
**81mm Frame - Standard Profile**



**81mm Frame - Pencil Round Profile**

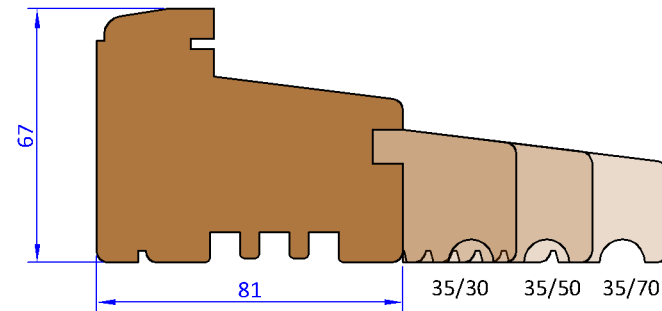


**81mm Frame - Ovolo Profile**

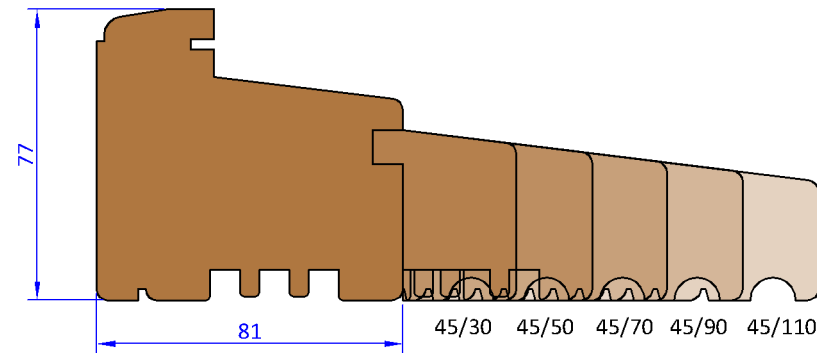


**Cill Extension Options - (Scale 1:2)**

**Cill Extension for 35mm Extensions**

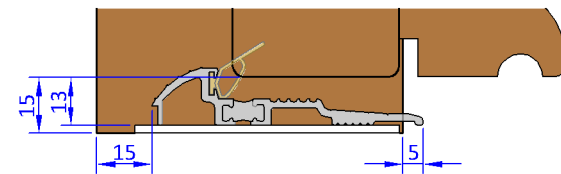


**Cill Extension for 45mm Extensions**

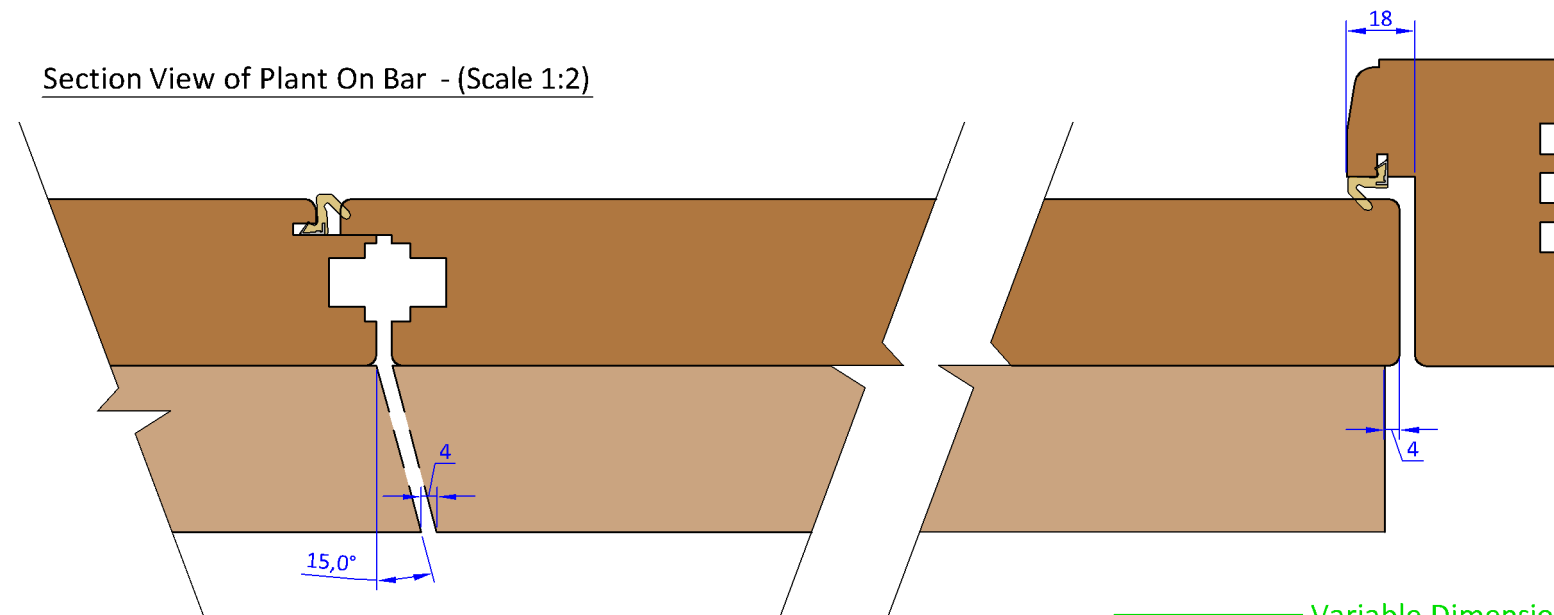


**Cill Extension Options - (Scale 1:2)**

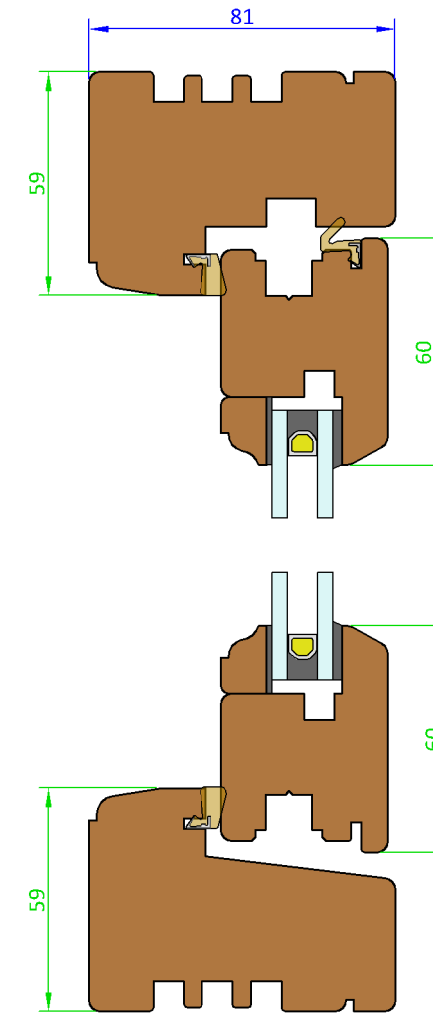
**Low Threshold Cill Option 1**



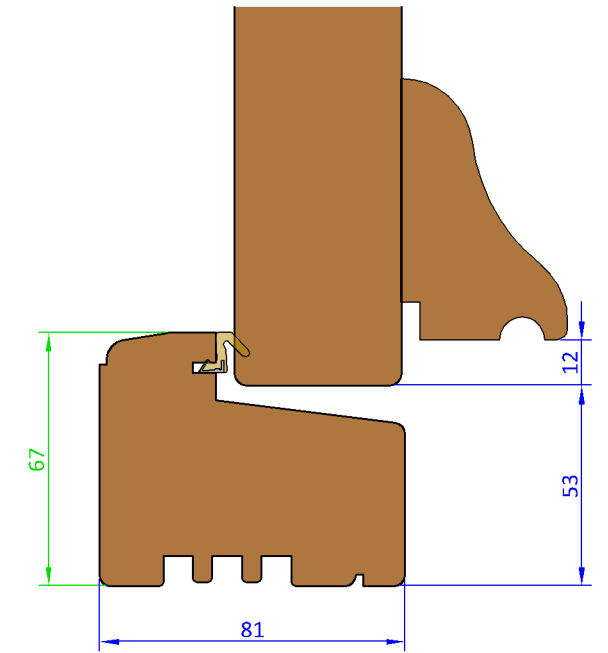
**Section View of Plant On Bar - (Scale 1:2)**



**Casement Fanlight Options - (Scale 1:2)**



**Plant On Bar Option - (Scale 1:2)**



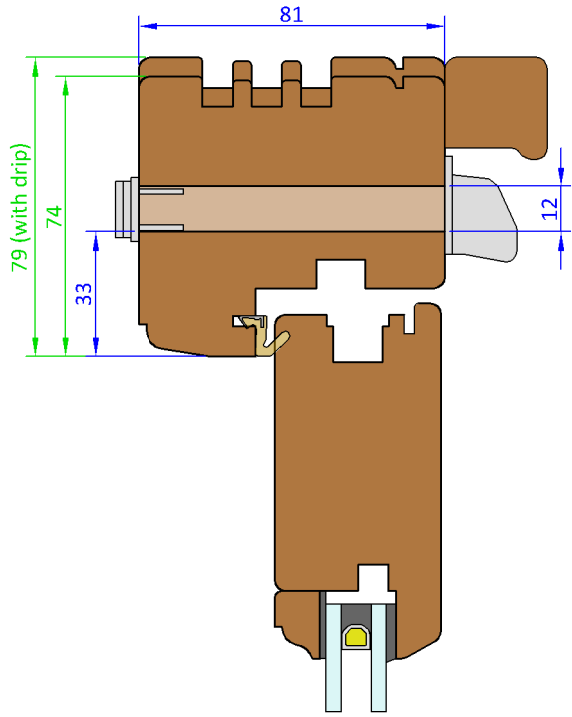
Title: Architects Details - DS5-81-AD DS5-81 Outward Opening Door		
Scale: As Shown	Date: 02-Jul-14	Sheet No: 3 of 4
Drawn: LRP	Approved:	Rev: 0

**GEORGE BARNSDALE**  
 ESTABLISHED 1884

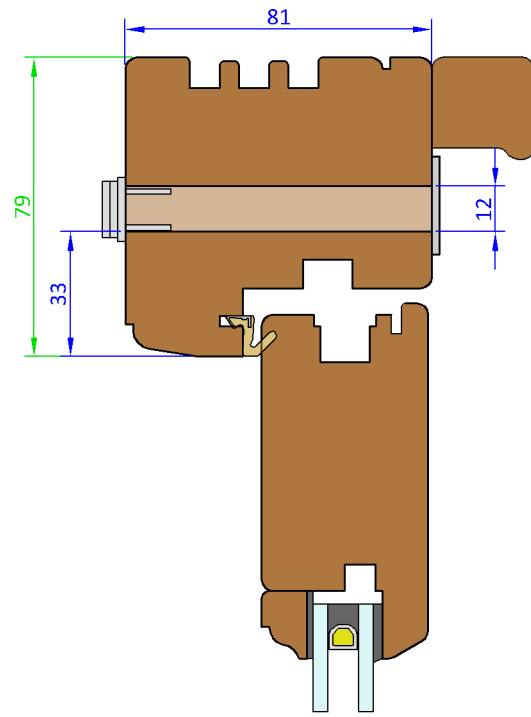
High Street, Donington, Spalding, Lincs, PE11 4TA.  
 T: 01775 823000 F: 01775 823010  
 enquiries@georgebarnsdale.co.uk  
 www.georgebarnsdale.co.uk

VENTILATION OPTION DETAILS - Scale 1:2)

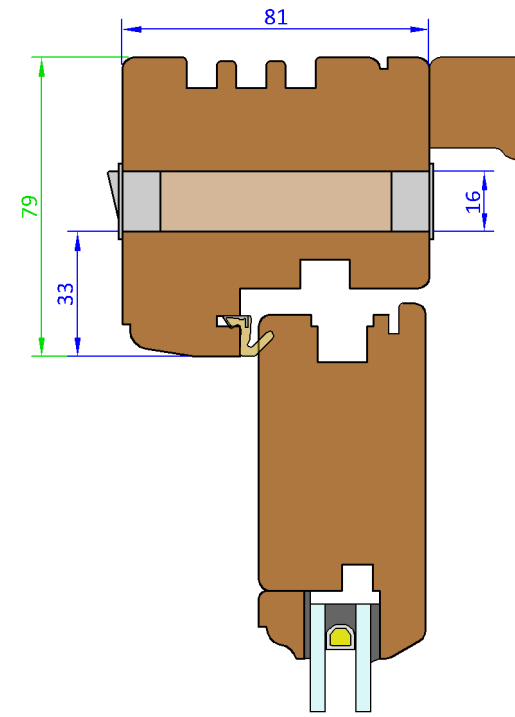
Frame Vent Type 1 (Slide In/Canopy Out)



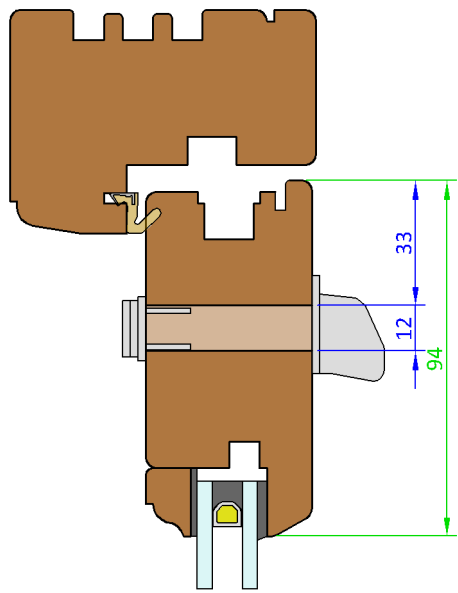
Frame Vent Type 2 (Slide In/Grille Out)



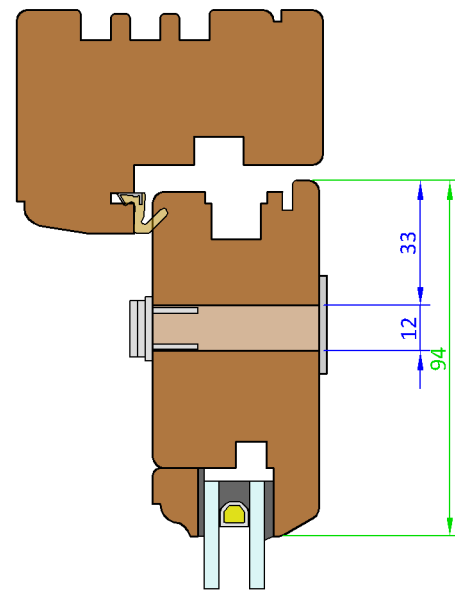
Frame Vent Type 3 (Flush)



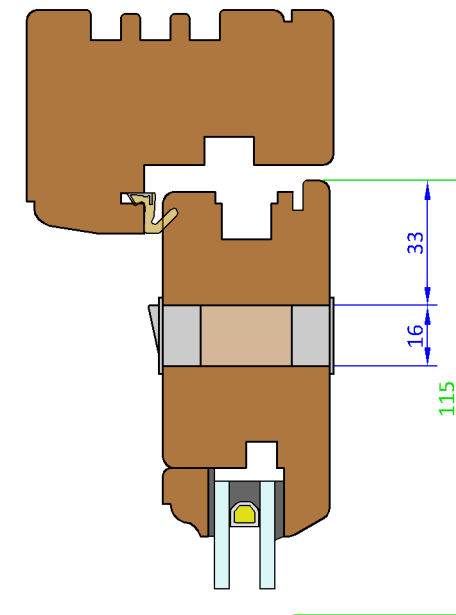
Sash Vent Type 1 (Slide In/Canopy Out)



Sash Vent Type 2 (Slide In/Grille Out)



Sash Vent Type 3 (Flush)



**Tolerances:** All tolerances are to George Barnsdale Standard Tolerance definitions (see supporting document for more detail) unless stated on the drawing.  
 © George Barnsdale & Sons Ltd. All rights reserved. No part of this drawing may be reproduced without the permission of George Barnsdale & Son Ltd.

Variable Dimensions  
 Fixed Dimensions

Title: Architects Details - DS5-81-AD DS5-81 Outward Opening Door		
Scale: As Shown	Date: 02-Jul-14	Sheet No: 4 of 4
Drawn: LRP	Approved:	Rev: 0

**GEORGE BARNSDALE**  
 ESTABLISHED 1884

High Street, Donington, Spalding, Lincs, PE11 4TA.  
 T: 01775 823000 F: 01775 823010  
 enquiries@georgebarnsdale.co.uk  
 www.georgebarnsdale.co.uk