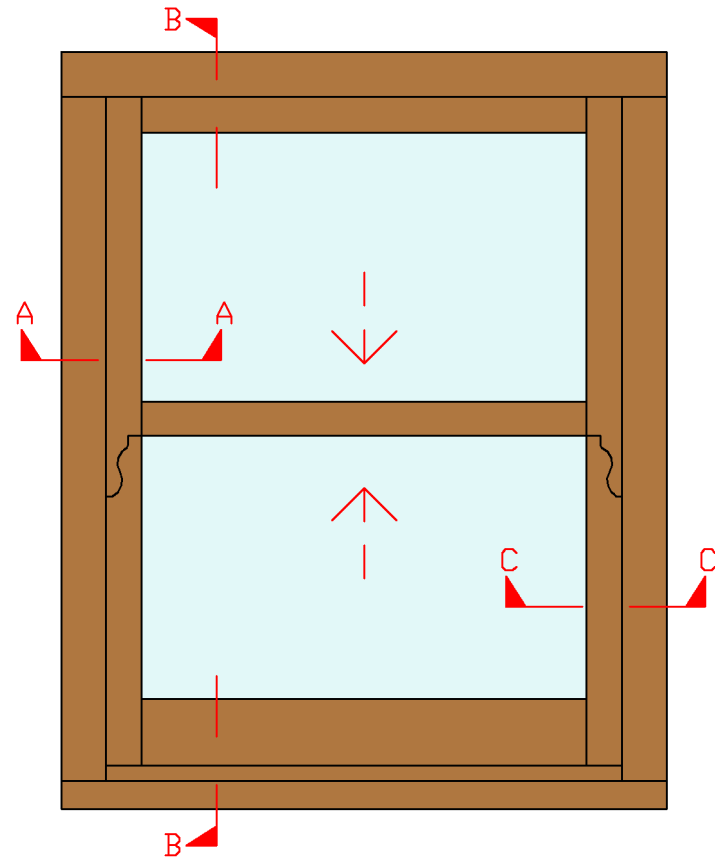
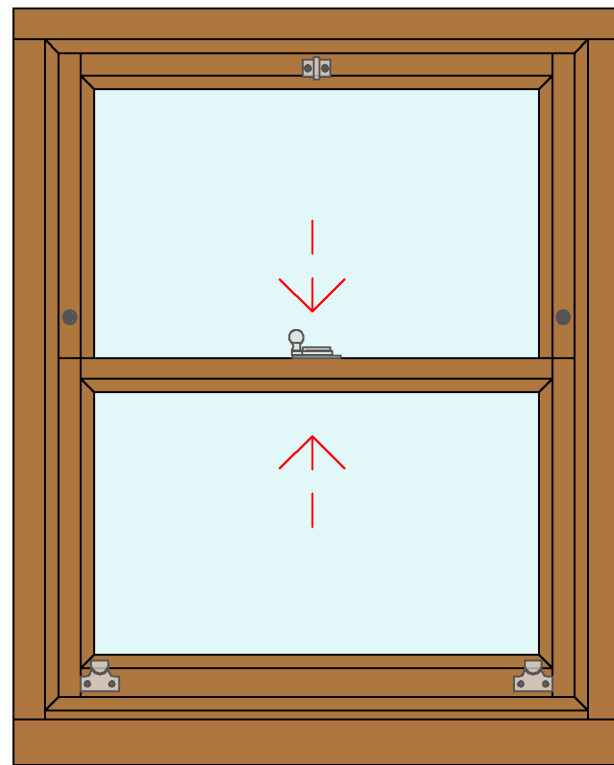


ELEVATIONS

Elevation 1 - Outside View (Scale 1:10)

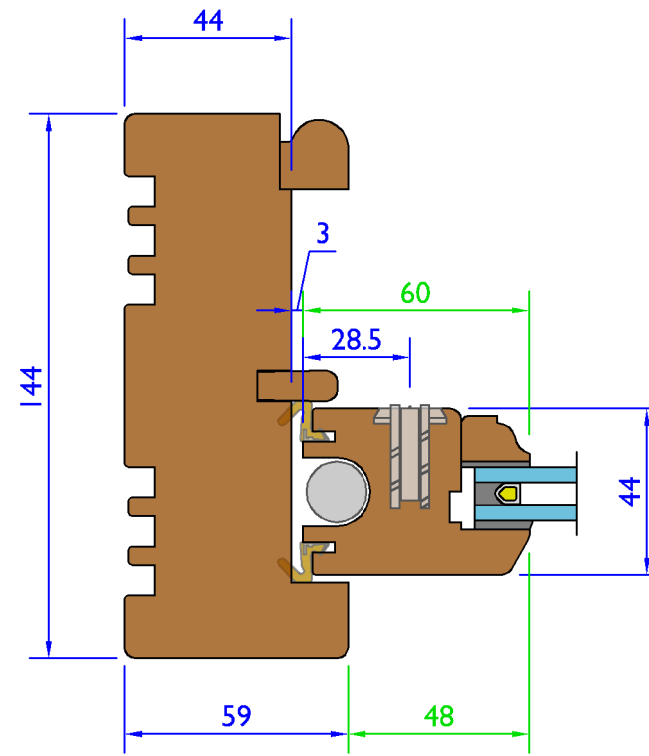


Elevation 2 - Inside View (Scale 1:10)

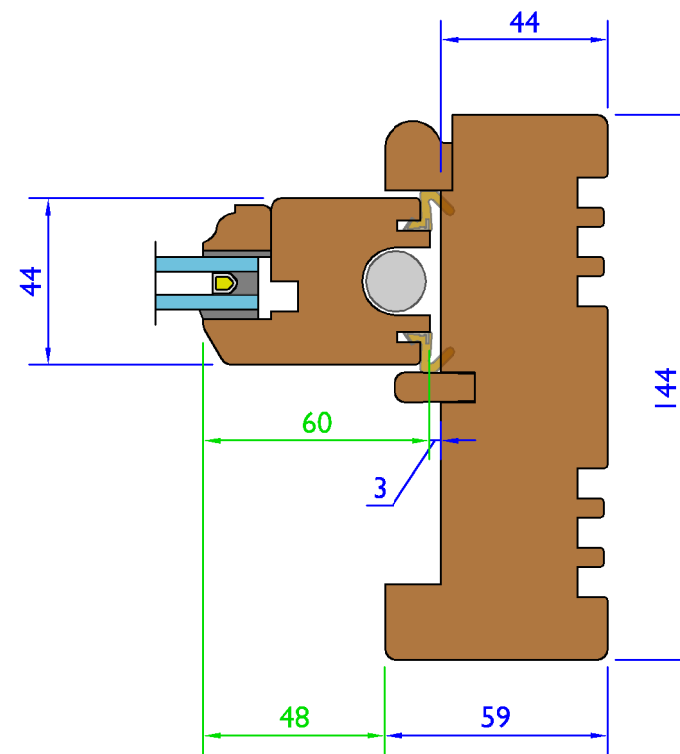


SECTIONS

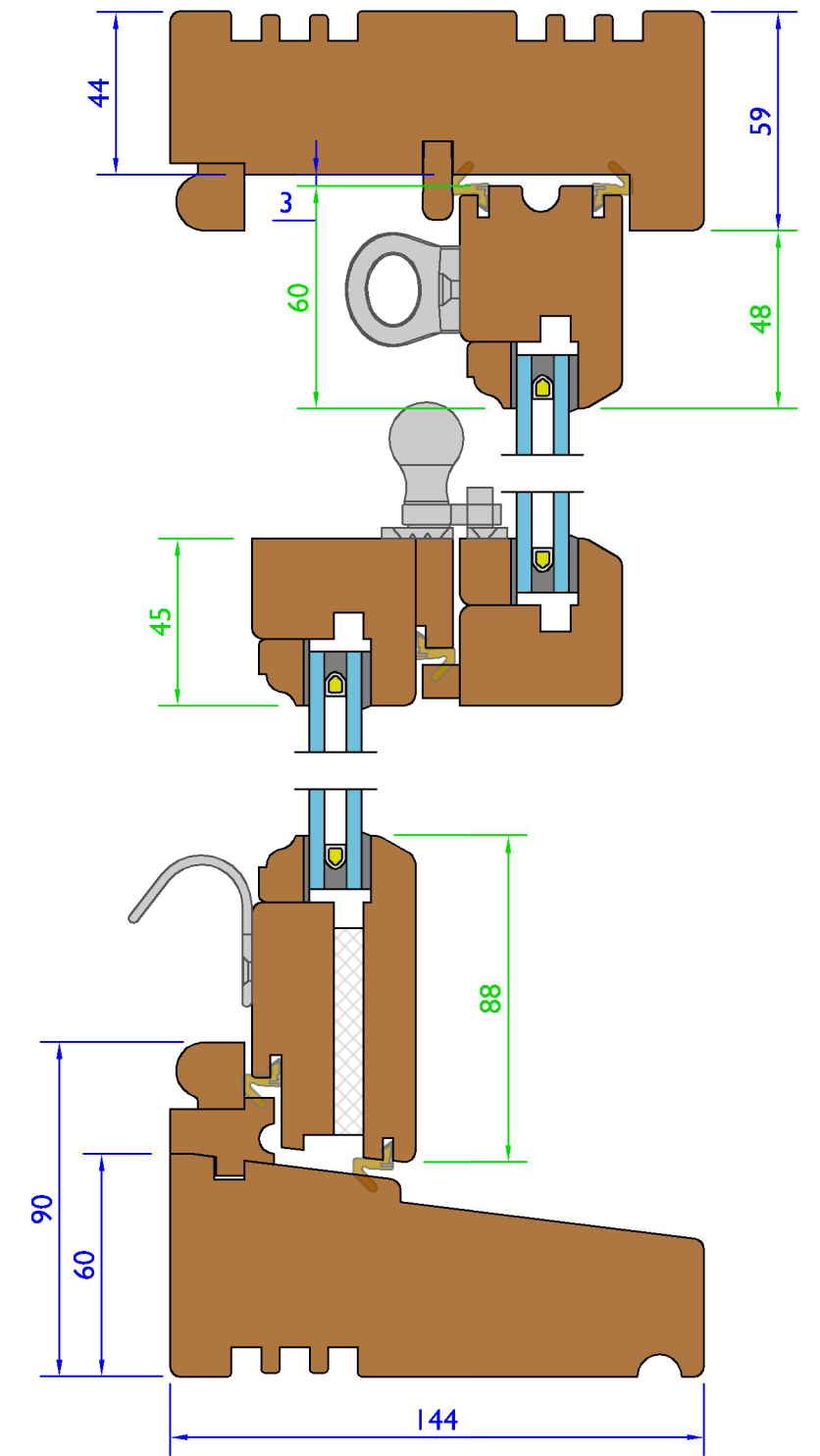
Section A-A - Upper Jamb (Scale 1:2)




Section C-C - Lower Jamb (Scale 1:2)



Section B-B - Head, Cill and Meeting Rails - (Scale 1:2)



 Drainage System

 Variable Dimensions
(Dim shown is usually min)

 Fixed Dimensions

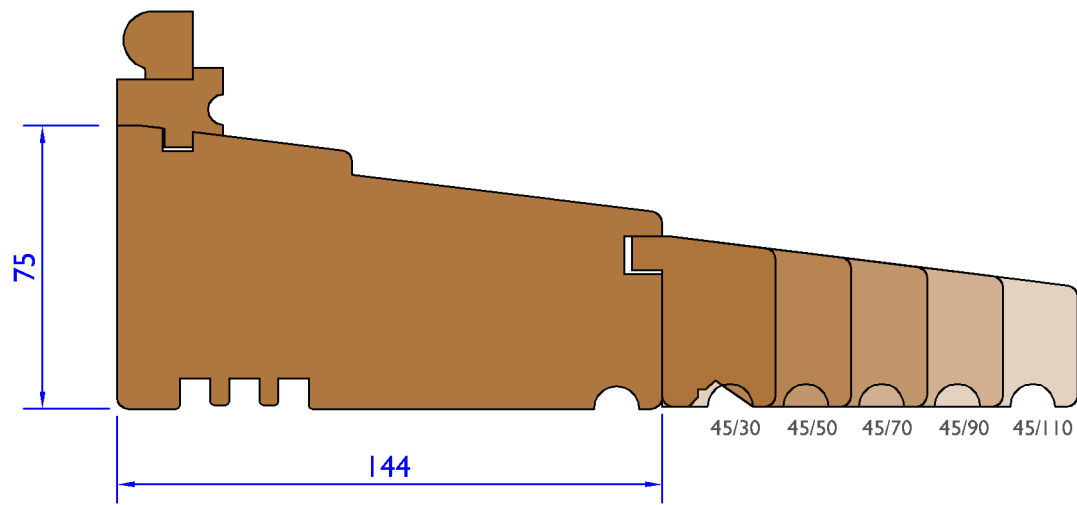
Tolerances: All tolerances are to George Barnsdale Standard Tolerance definitions (see supporting document for more detail) unless stated on the drawing.
© George Barnsdale & Sons Ltd. All rights reserved. No part of this drawing may be reproduced without the permission of George Barnsdale & Son Ltd.

System: T-S2-144		
Title: Traditional Slim - Spring Balance Sash Window (44mm)		
Scale:	Rev No:	Date:
As Shown	A	29-Sep-16
Drawn By:	Sheet No:	Status:
LS	I	WIP

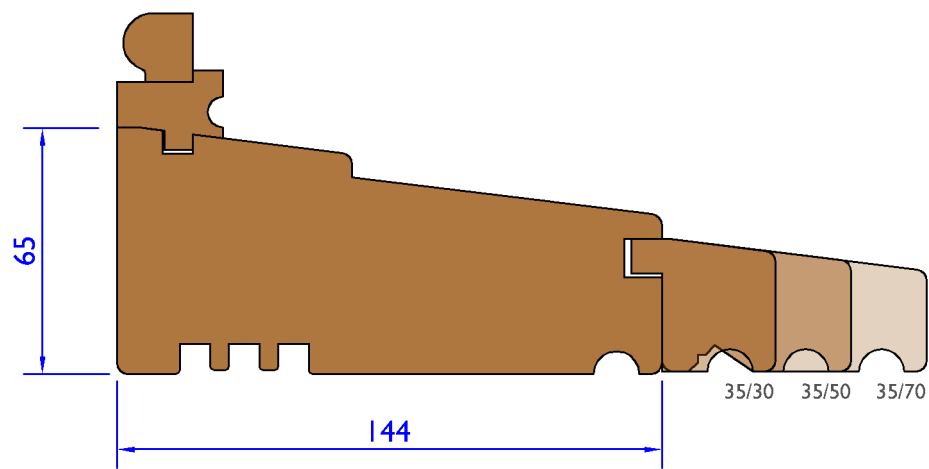
GEORGE BARNSDALE
Est. 1884
High Street, Donington, Spalding, Lincs. PE11 4TA
01775 82300
www.georgebarnsdale.co.uk

SASH AND FRAME OPTIONS

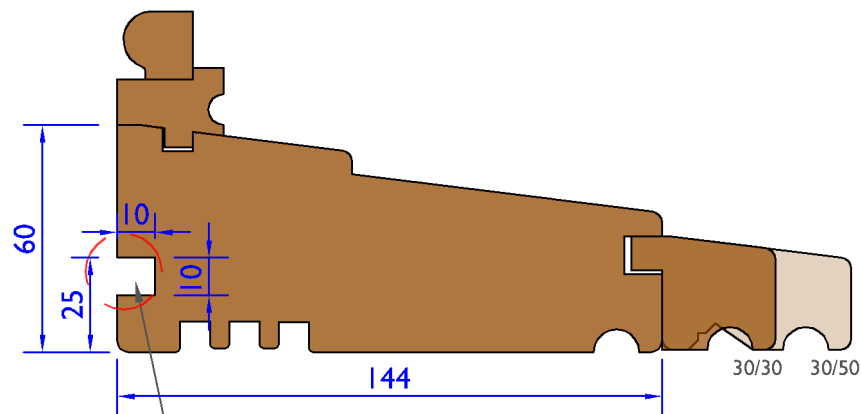
Cill Extension Option - 45mm - (Scale 1:2)



Cill Extension Option - 35mm - (Scale 1:2)

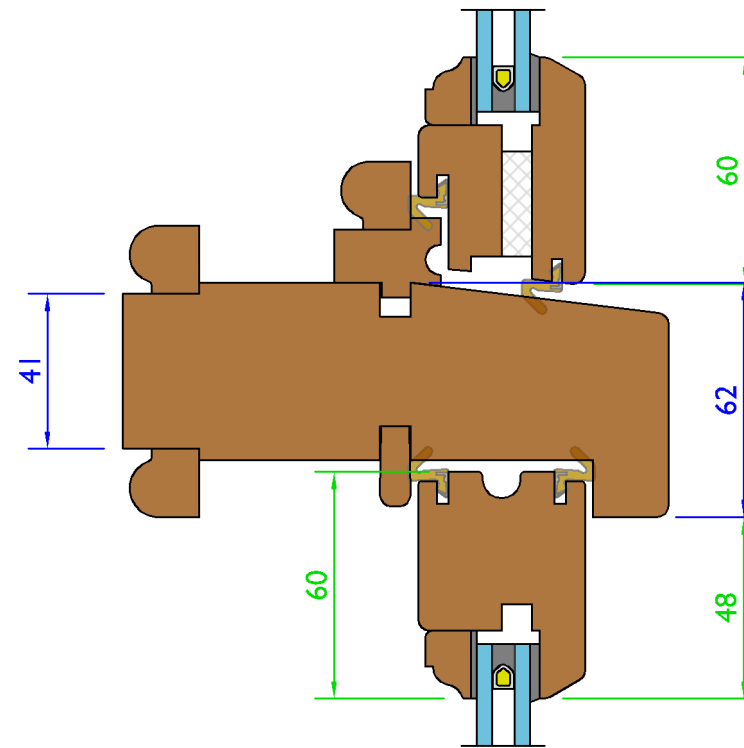


Cill Extension Option - 30mm - (Scale 1:2)

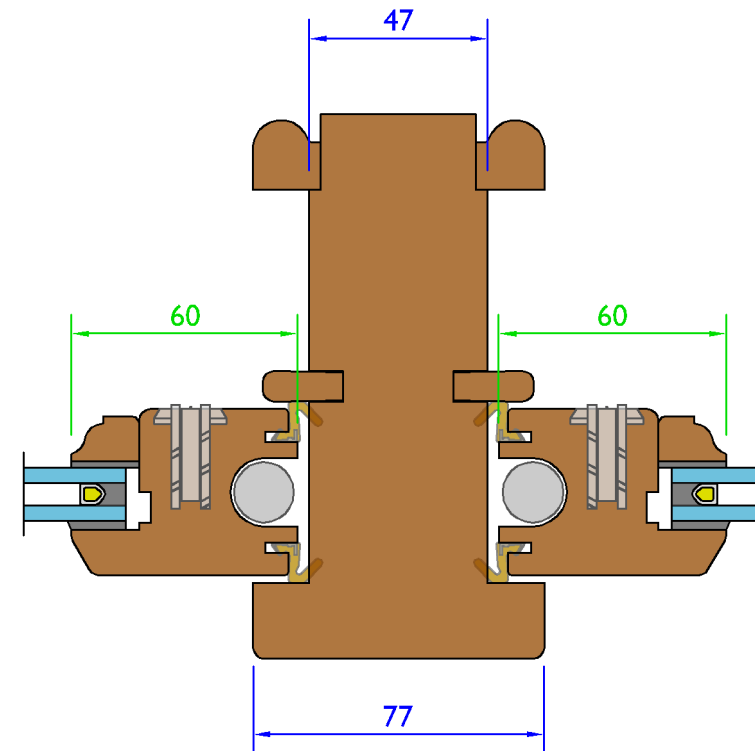


Optional windowboard groove

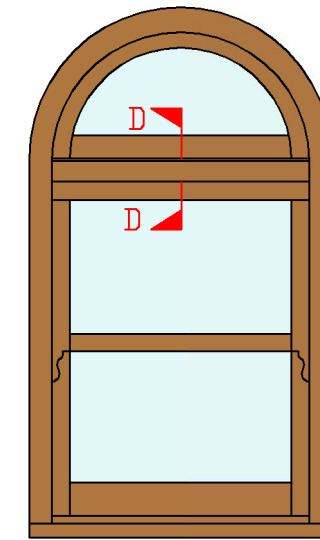
Transome Detail - Section D-D - (Scale 1:2)



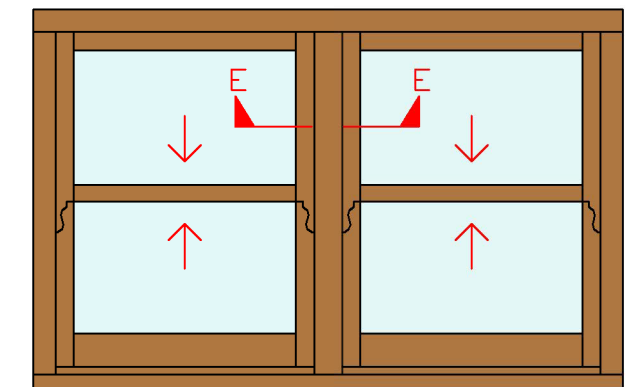
Solid Mullion Detail - Section E-E - (Scale 1:2)



Arch Elevation - (Scale 1:20)



Double window Elevation - (Scale 1:20)



Drainage System

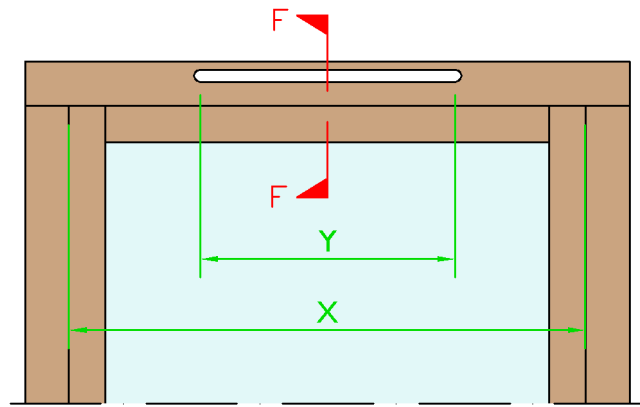
Variable Dimensions
(Dim shown is usually min)

Fixed Dimensions

System: T-S2-144		
Title: Traditional Slim - Spring Balance Sash Window (44mm)		
Scale:	As Shown	Rev No: A
		Date: 29-Sep-16
Drawn By:	LS	Sheet No: 2
		Status: WIP

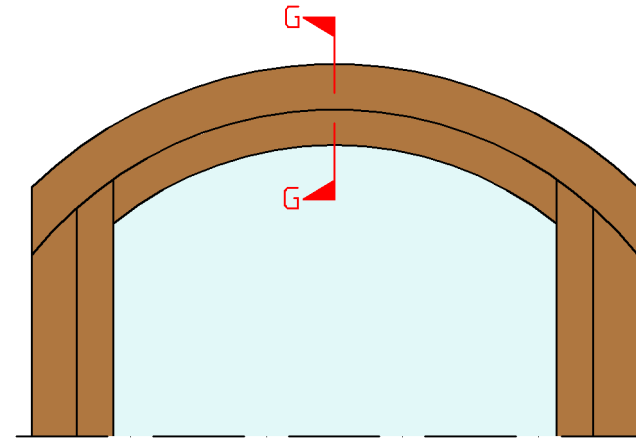
GEORGE BARNSDALE
Est. 1884
High Street, Donington, Spalding, Lincs, PE11 4TA
01775 82300
www.georgebarnsdale.co.uk

Frame Vent Elevation Detail Showing Hidden Slot Size - (Scale 1:10)



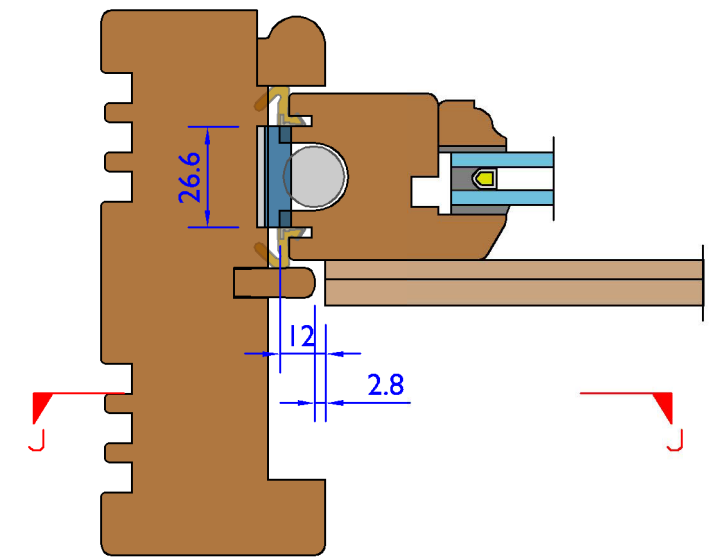
X	Y
≥420	336
330 - 419	244
275 - 329	195
<275	N/A

Shallow Arch Elevation Detail - (Scale 1:10)

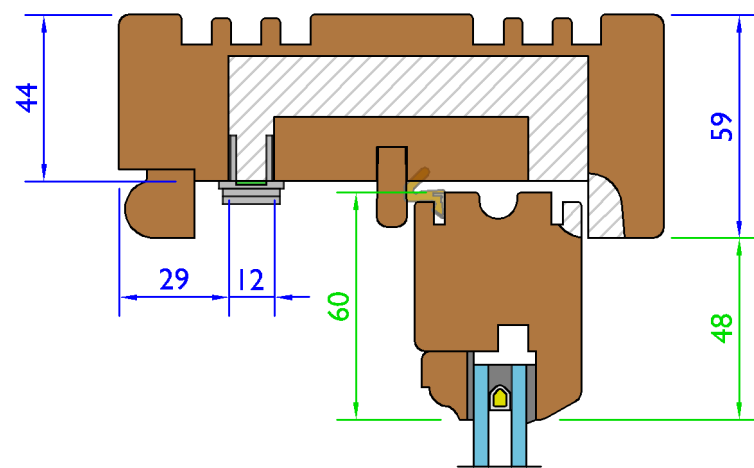


MEETING RAIL PLUGS DETAILS

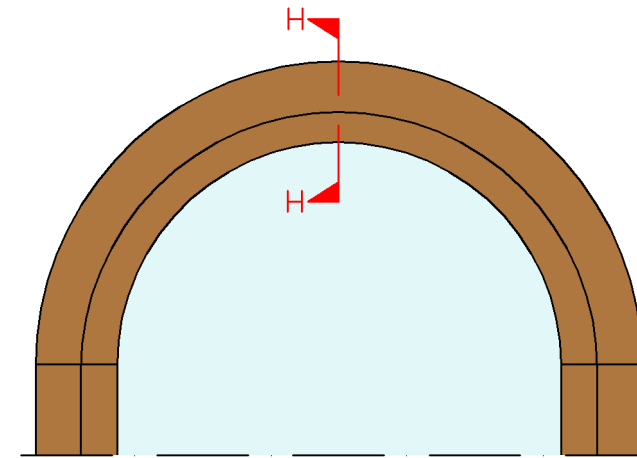
Bottom sash meeting rail brush seal - (Scale 1:2)



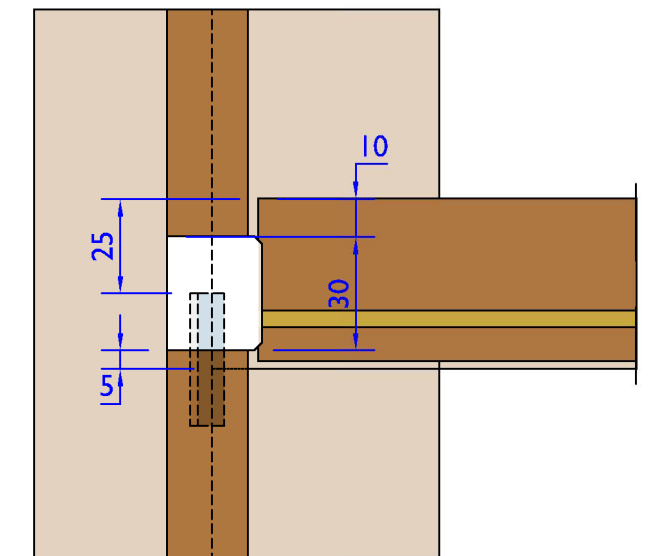
Head Vent Detail Section F-F - (Scale 1:2)



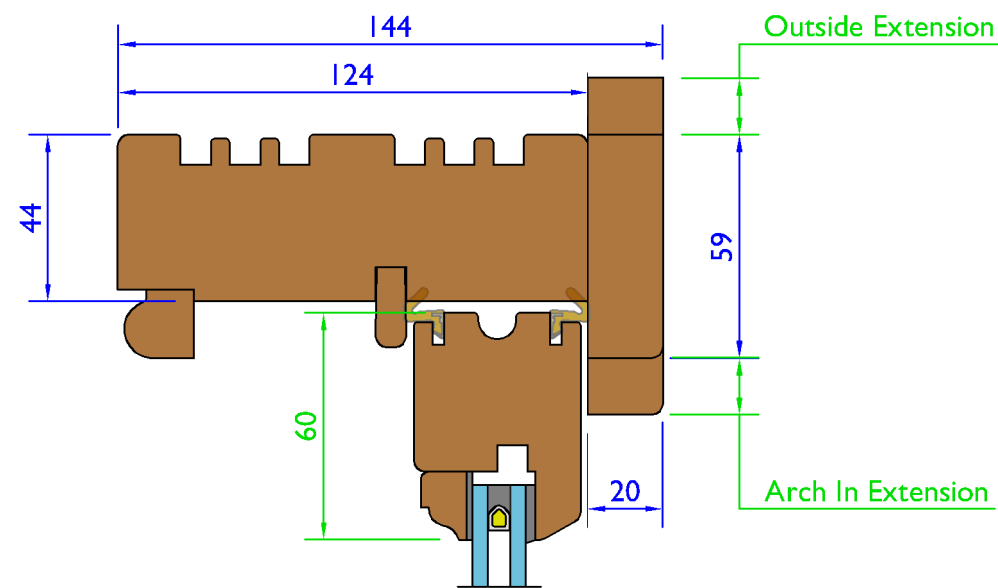
Semi-circular Arch Elevation Detail - (Scale 1:10)



Elevation view of section J-J, parting bead seal - (Scale 1:2)

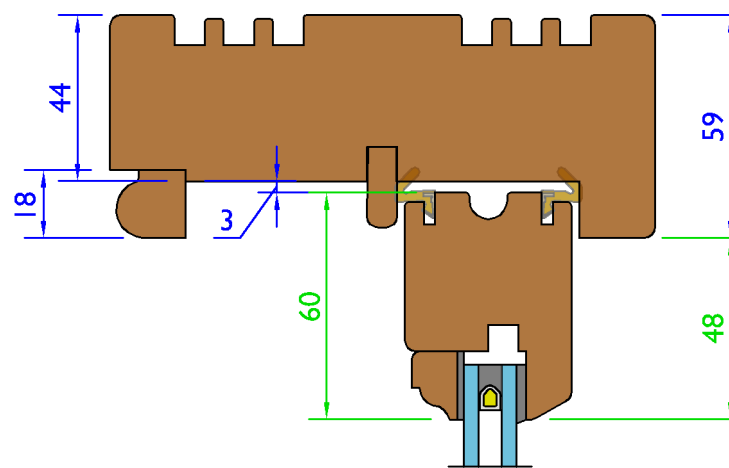


Extended Lining Option - (Scale 1:2)



ARCHED HEAD

Arch Detail Section G-G and H-H - (Scale 1:2)



Vent System

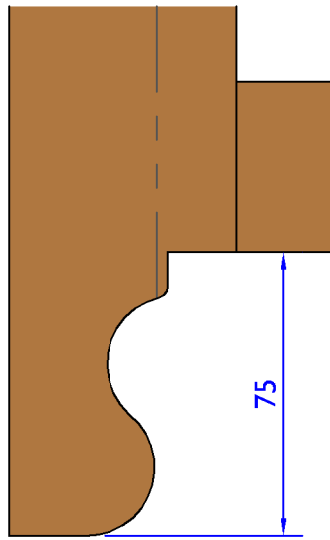
Variable Dimensions
(Dim shown is usually min)

Fixed Dimensions

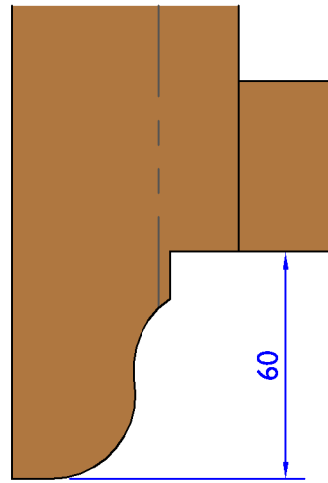
System: T-S2-144		
Title: Traditional Slim - Spring Balance Sash Window (44mm)		
Scale:	As Shown	Rev No: A
		Date: 29-Sep-16
Drawn By:	LS	Sheet No: 3
		Status: WIP

SASH HORN OPTIONS (Scale 1:2)

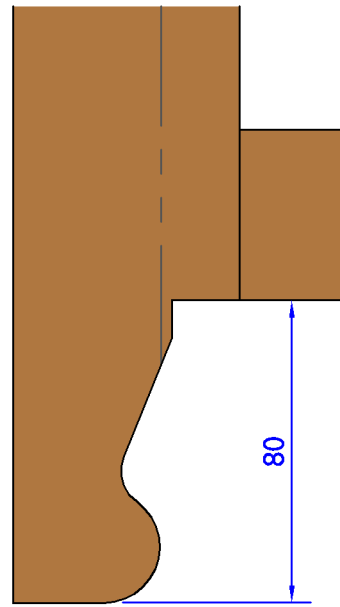
Sash Horn Type A



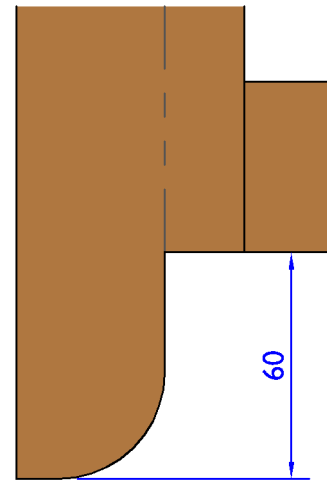
Sash Horn Type B



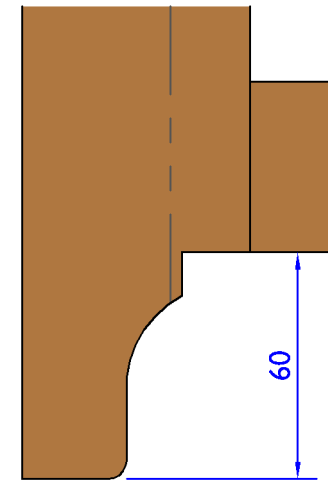
Sash Horn Type C



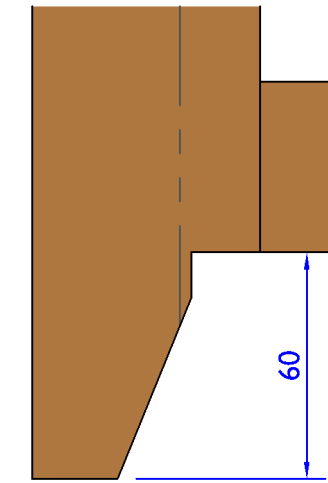
Sash Horn Type D



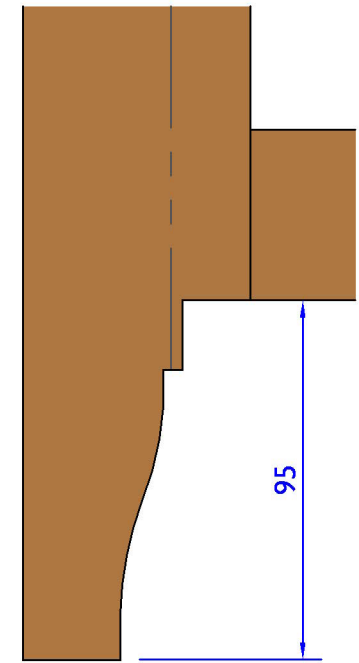
Sash Horn Type E



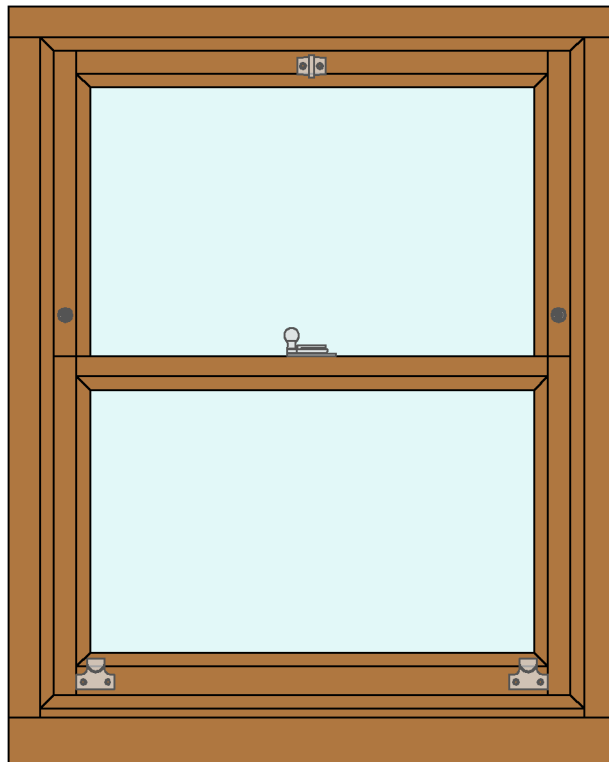
Sash Horn Type F



Sash Horn Type G

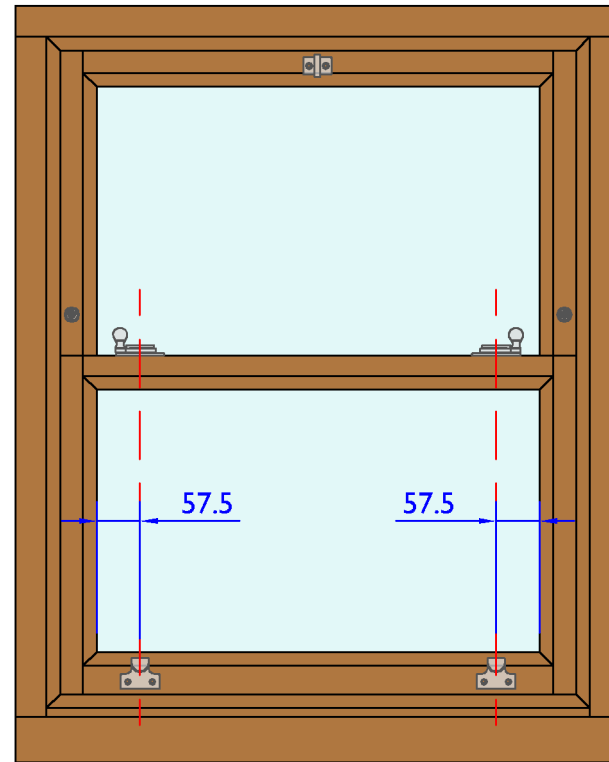


Sash Pull Position (sash width <900 mm) - (Scale 1:10)



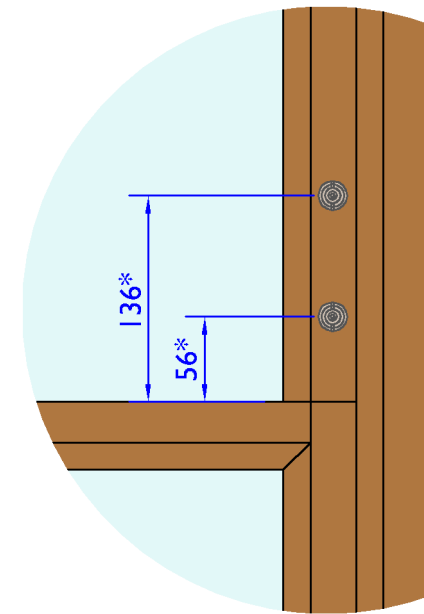
Sash pull aligned with sash rebate. Sash fastener centralised unless glazing bar requires it to be offset (offset to RHS when viewed from inside unless specified otherwise)

Sash Pull + Fastener Position (sash width >900 mm) - (Scale 1:10)



Sash pull aligned with sash fastener. Pull and fastener position as shown unless glazing bar requires alternative position which should then be positioned for best aesthetic by operator.

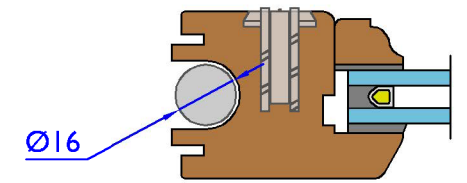
Double Sash Stop Option - (Scale 1:5)



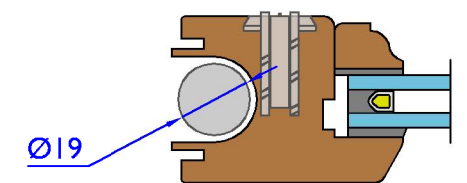
* Dimensions shown provide (100mm and 20mm respectively), ventilation openings at the bottom of the window

Sash Outside Profile Options - (Scale 1:2)

Side Rail Type D/F Rail



Side Rail Type K Rail

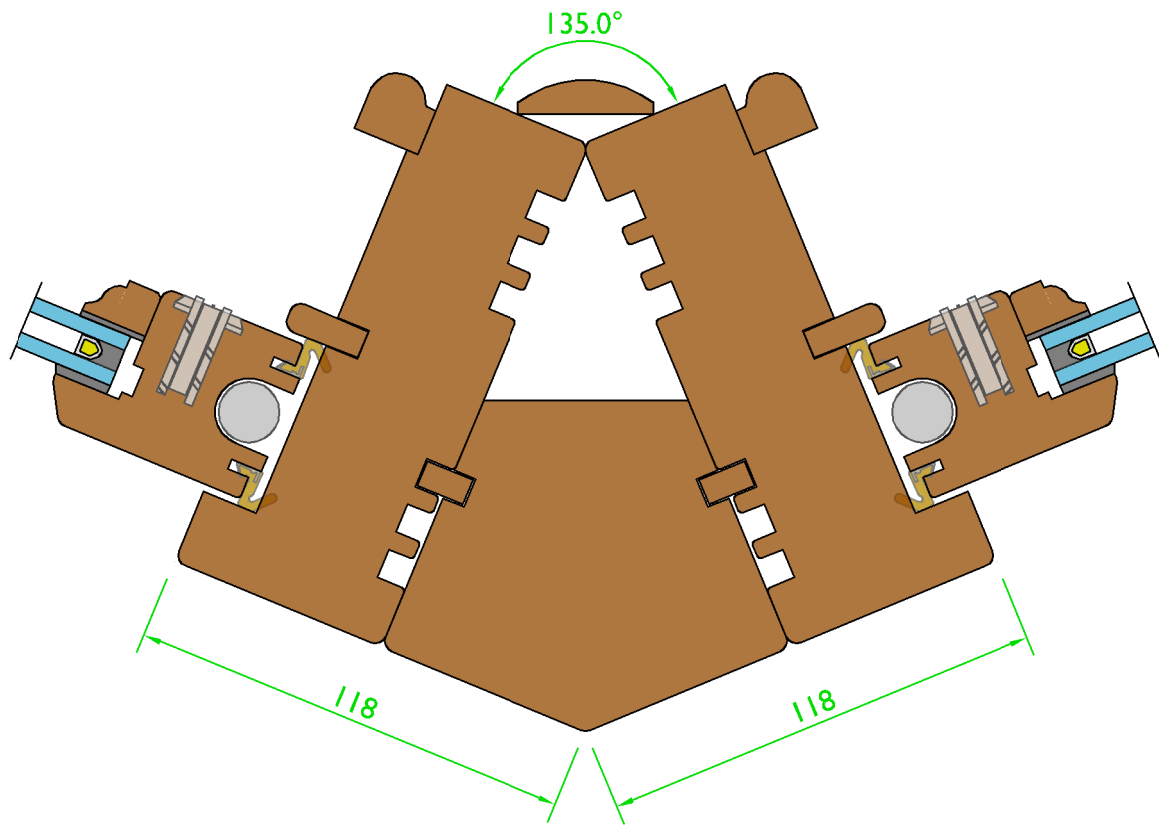


Variable Dimensions (Dim shown is usually min)

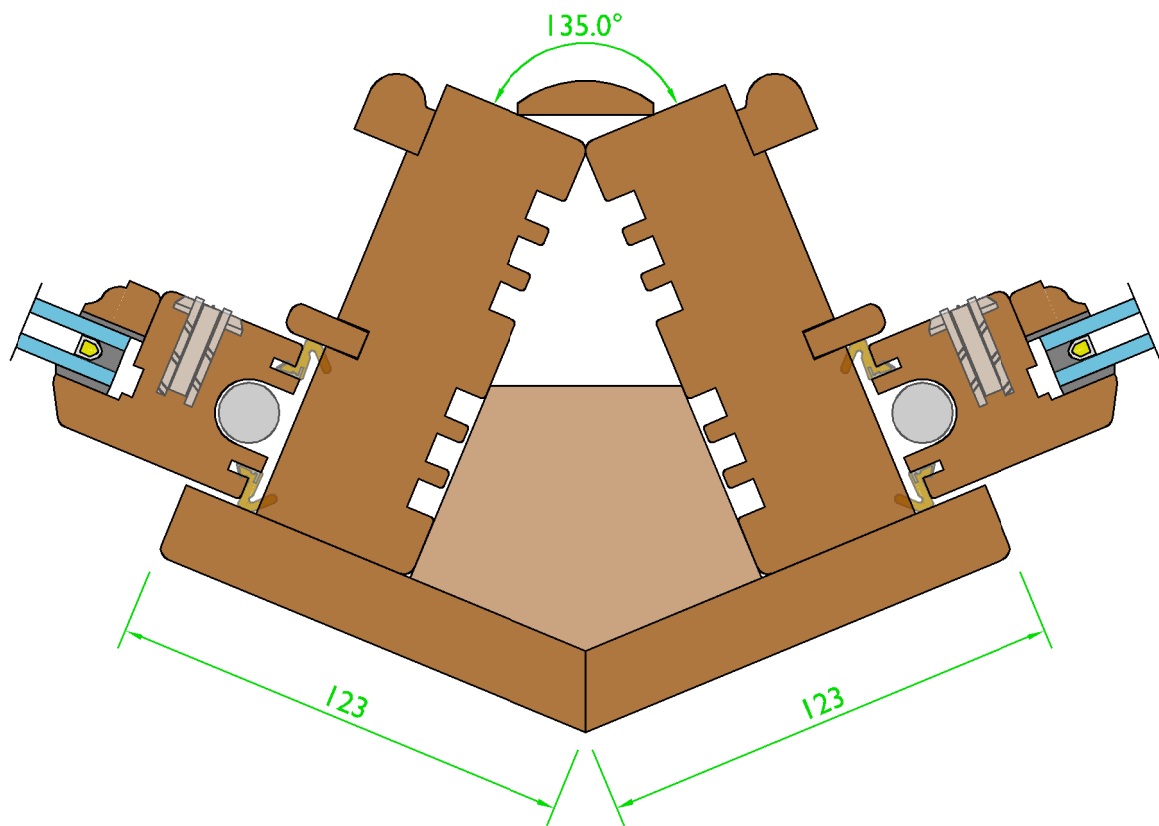
Fixed Dimensions

System: T-S2-144		
Title: Traditional Slim - Spring Balance Sash Window (44mm)		
Scale: As Shown	Rev No: A	Date: 29-Sep-16
Drawn By: LS	Sheet No: 4	Status: WIP

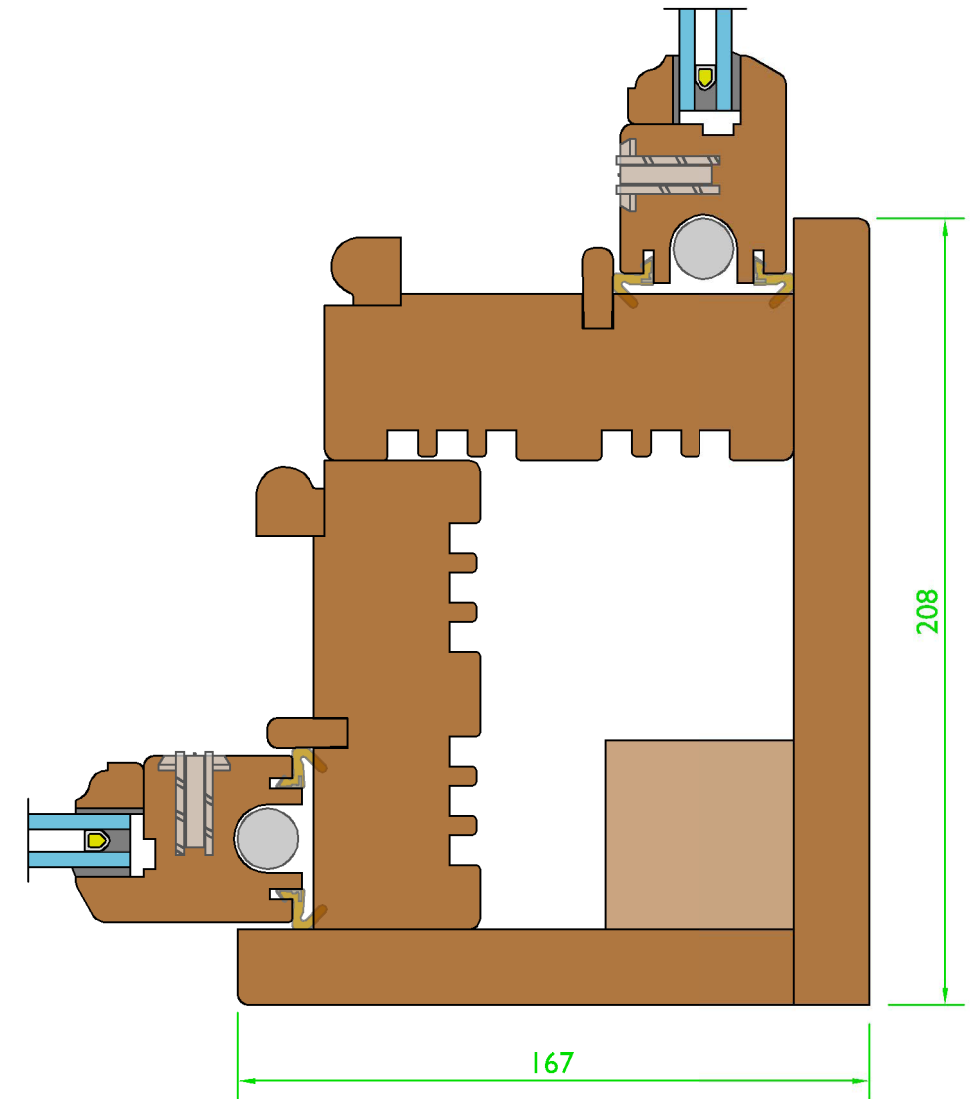
Angular Bay Corner Post Option - (Scale 1:2)



Angular Bay Corner Post Option - (Scale 1:2)



Square Bay Corner Post Option - (Scale 1:2)



Variable Dimensions
(Dim shown is usually min)

Fixed Dimensions

System: T-S2-144		
Title: Traditional Slim - Spring Balance Sash Window (44mm)		
Scale:	As Shown	Rev No: A
		Date: 29-Sep-16
Drawn By:	LS	Sheet No: 5
		Status: WIP

GEORGE BARNSDALE
Est. 1884

High Street, Donington, Spalding, Lincs. PE11 4TA
01775 82300
www.georgebarnsdale.co.uk