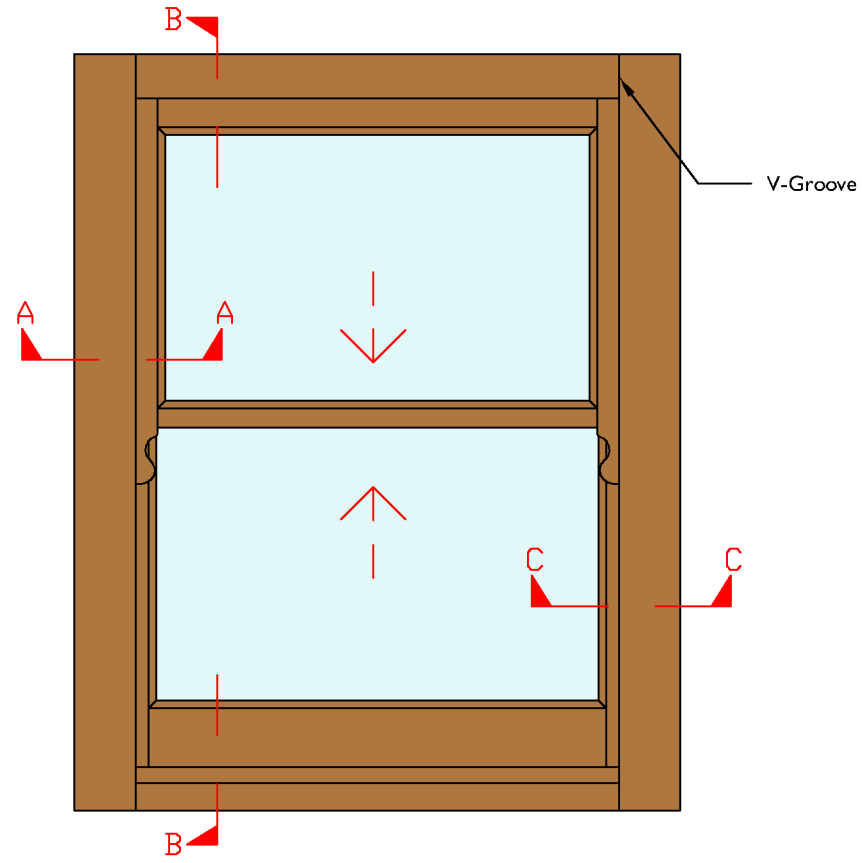
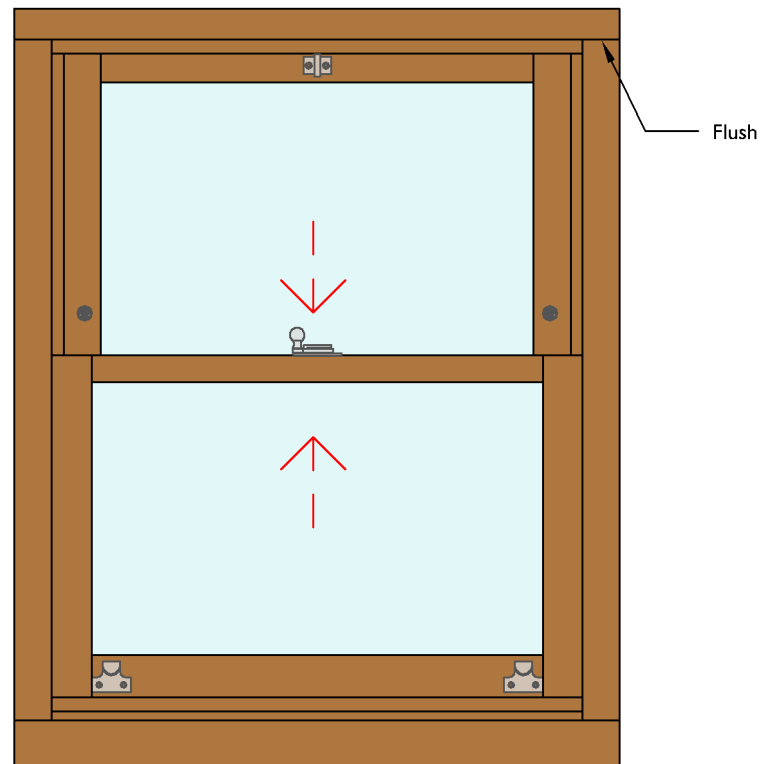


**ELEVATIONS**

Elevation 1 - Outside View - (Scale 1:10)

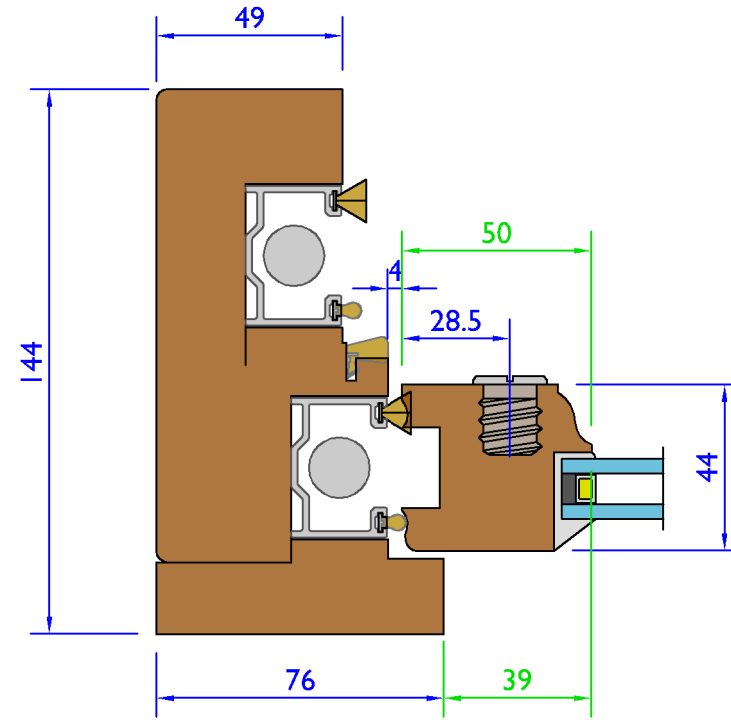


Elevation 2 - Inside View - (Scale 1:10)

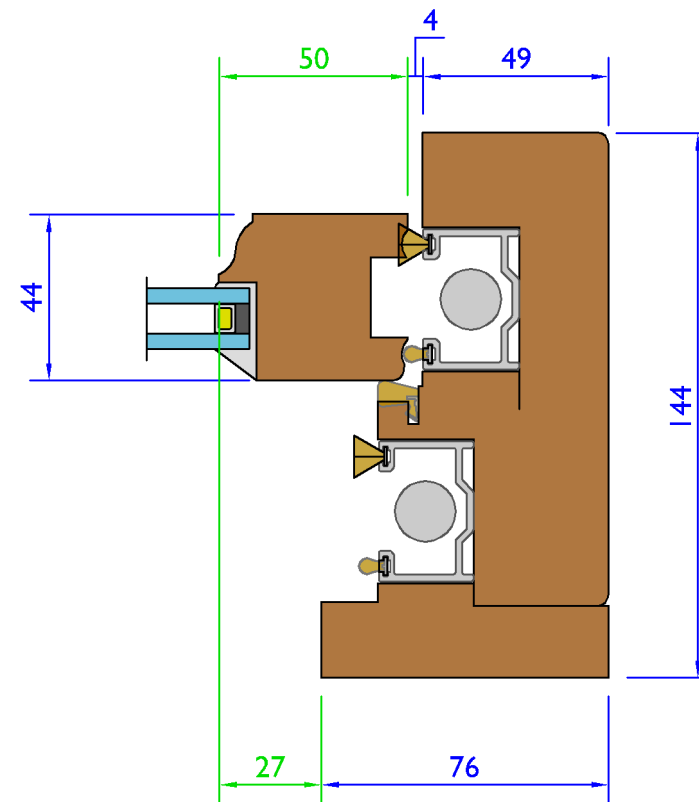


**SECTIONS**

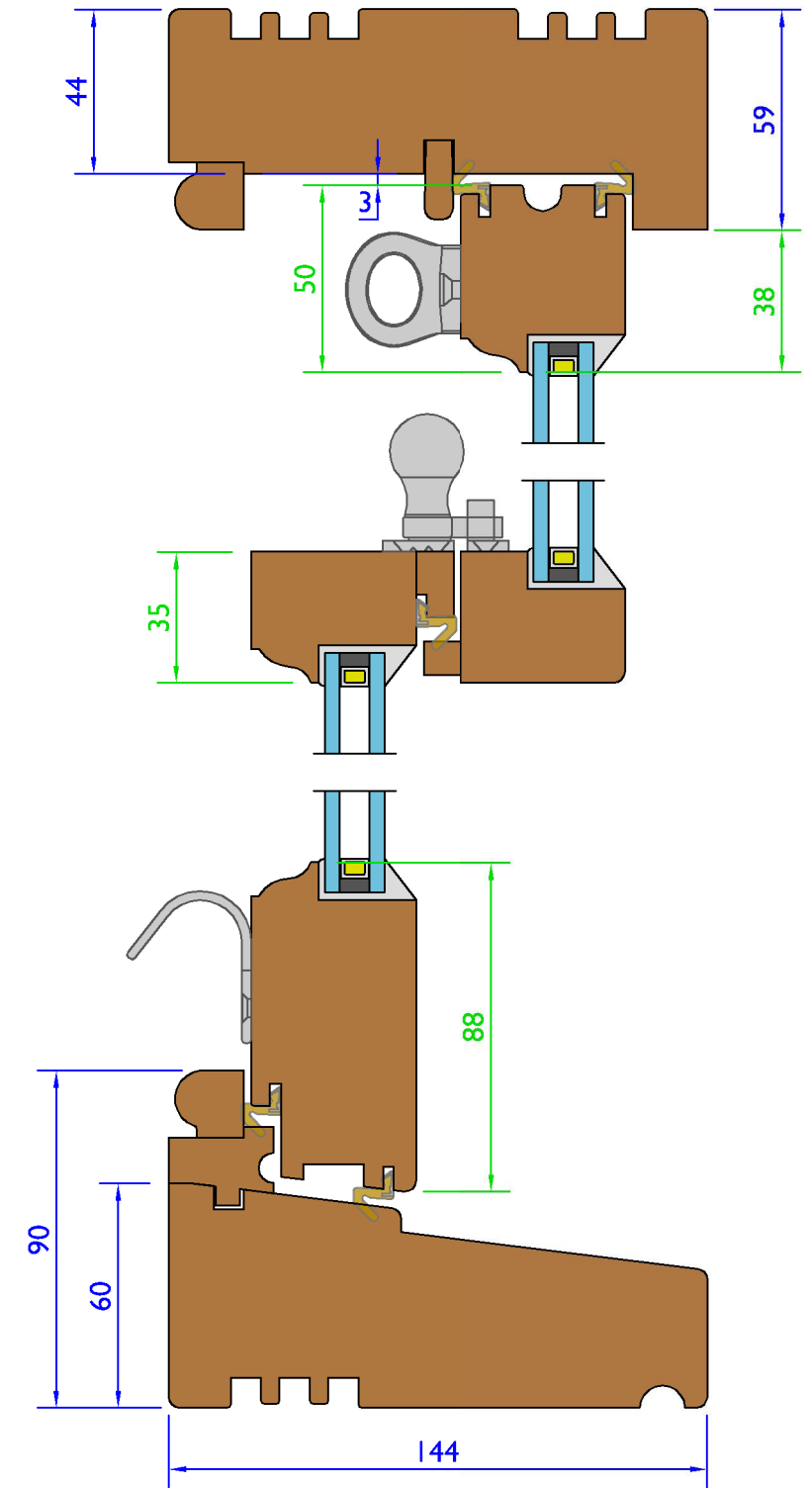
Section A-A - Upper Jamb - (Scale 1:2)



Section C-C - Lower Jamb - (Scale 1:2)



Section B-B - Head, Cill and Meeting Rails - (Scale 1:2)



Drainage System

Variable Dimensions  
(Dim shown is usually min)

Fixed Dimensions

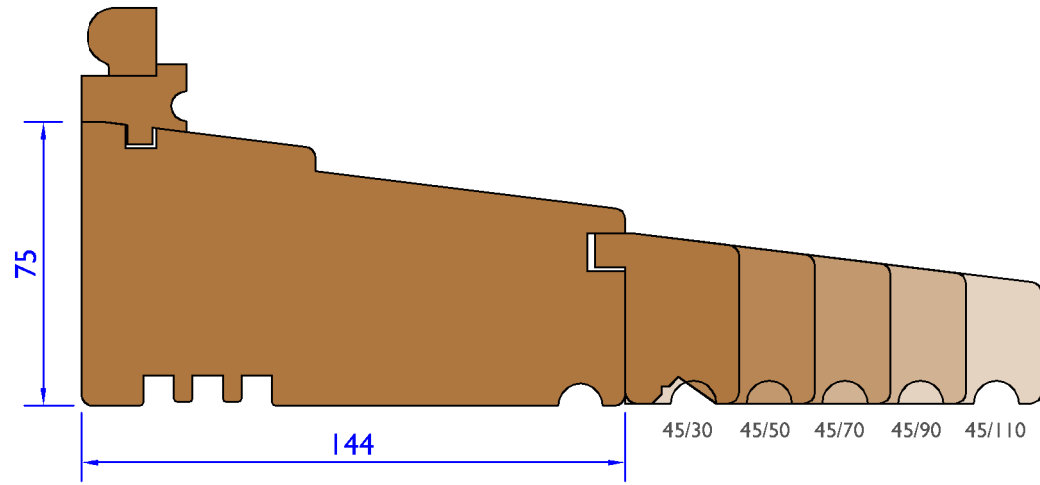
Tolerances: All tolerances are to George Barnsdale Standard Tolerance definitions (see supporting document for more detail) unless stated on the drawing.  
© George Barnsdale & Sons Ltd. All rights reserved. No part of this drawing may be reproduced without the permission of George Barnsdale & Son Ltd.

System: H-S3-144		
Title: Historic Slim - Tilting Sash Window (44mm)		
Scale: As Shown	Rev No: A	Date: 22-Mar-18
Drawn By: LH	Sheet No: 1	Status: Released

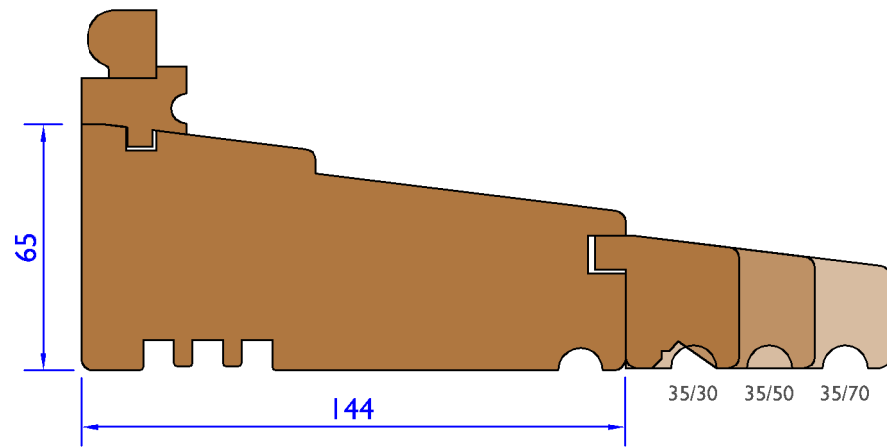
**GEORGE BARNSDALE**  
Est. 1884  
High Street, Donington, Spalding, Lincs, PE11 4TA  
01775 823000  
www.georgebarnsdale.co.uk

**SASH AND FRAME OPTIONS**

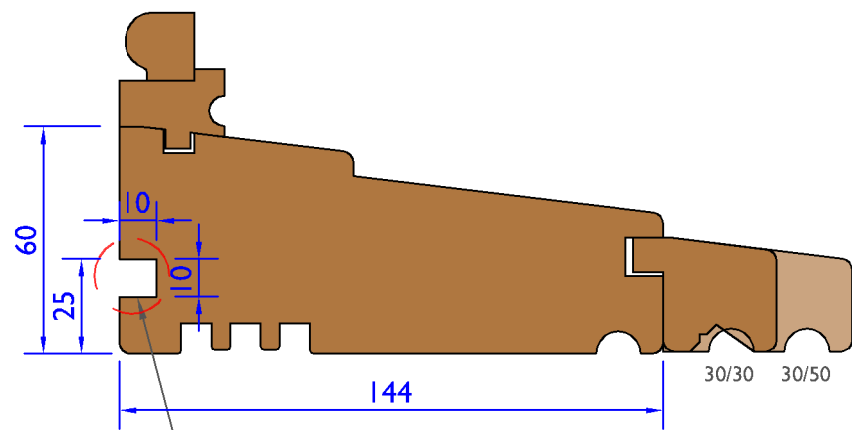
Cill Extension Option - 45mm - (Scale 1:2)



Cill Extension Option - 35mm - (Scale 1:2)

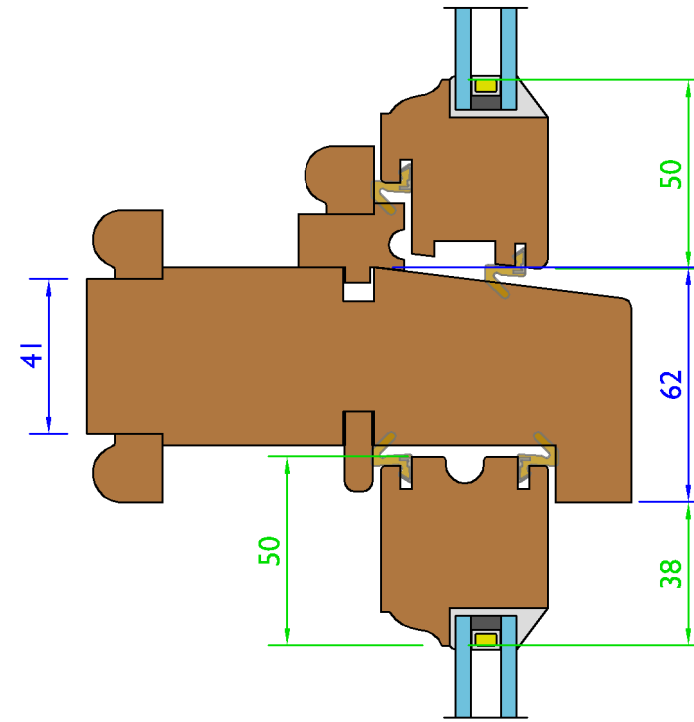


Cill Extension Option - 30mm - (Scale 1:2)

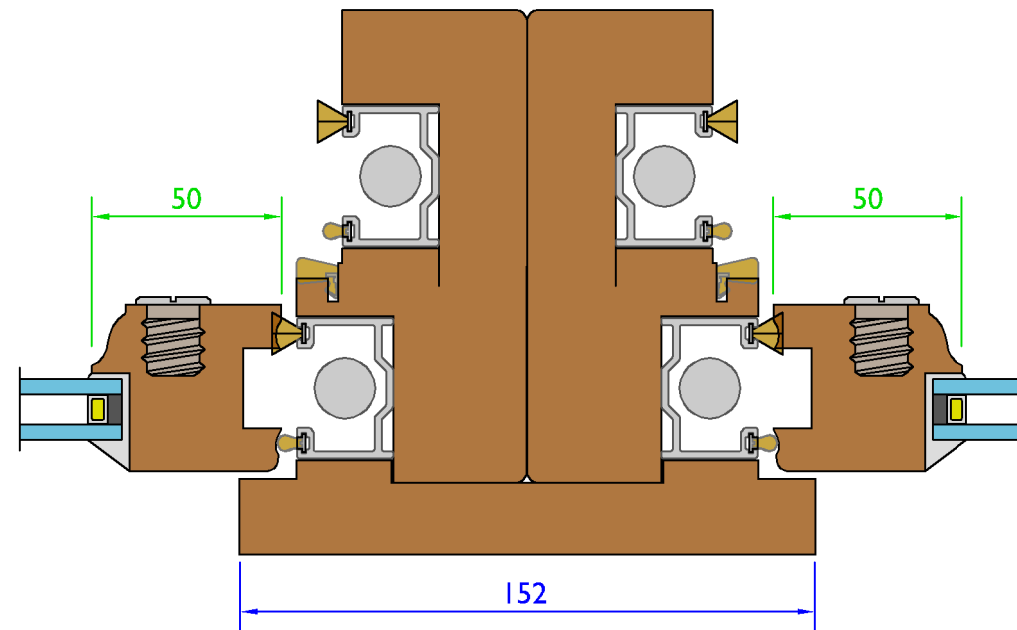


Optional windowboard groove

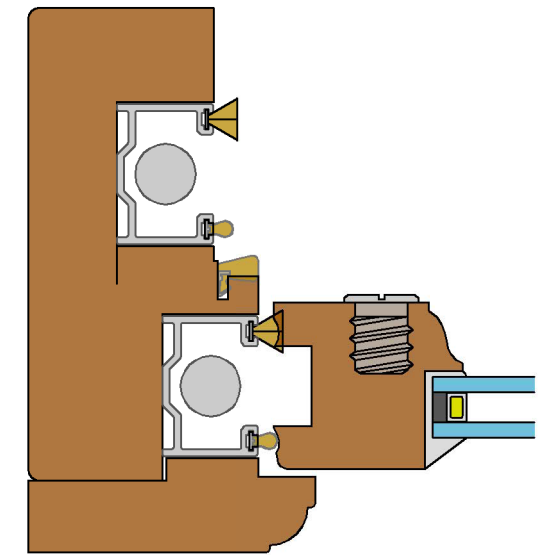
Transome Detail - Section D-D - (Scale 1:2)



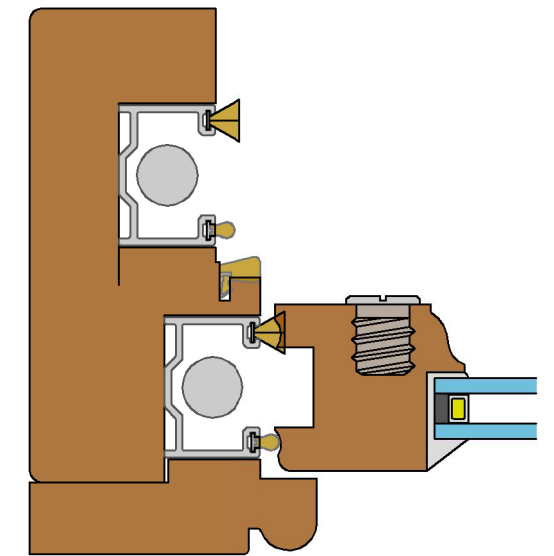
Solid Mullion Detail - Section E-E - (Scale 1:2)



Ovolo Profile Option - (Scale 1:2)



Bead Profile Option - (Scale 1:2)



Drainage System

Variable Dimensions  
(Dim shown is usually min)

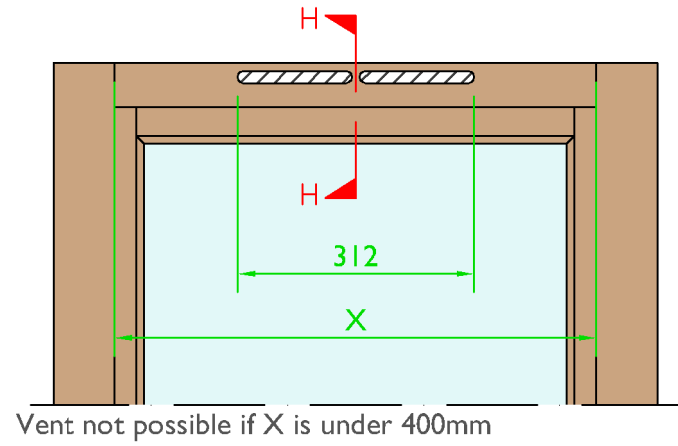
Fixed Dimensions

Tolerances: All tolerances are to George Barnsdale Standard Tolerance definitions (see supporting document for more detail) unless stated on the drawing.  
© George Barnsdale & Sons Ltd. All rights reserved. No part of this drawing may be reproduced without the permission of George Barnsdale & Son Ltd.

System: H-S3-144		
Title: Historic Slim - Tilting Sash Window (44mm)		
Scale:	As Shown	Rev No: A
		Date: 22-Mar-18
Drawn By:	LH	Sheet No: 2
		Status: Released

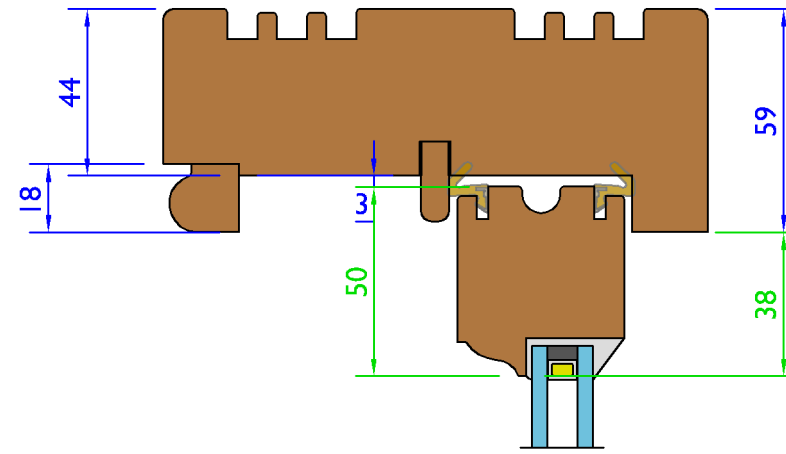
**GEORGE BARNSDALE**  
Est. 1884  
High Street, Donington, Spalding, Lincs, PE11 4TA  
01775 823000  
www.georgebarnsdale.co.uk

Frame Vent Elevation Detail Showing Hidden Slot Size - (Scale 1:10)

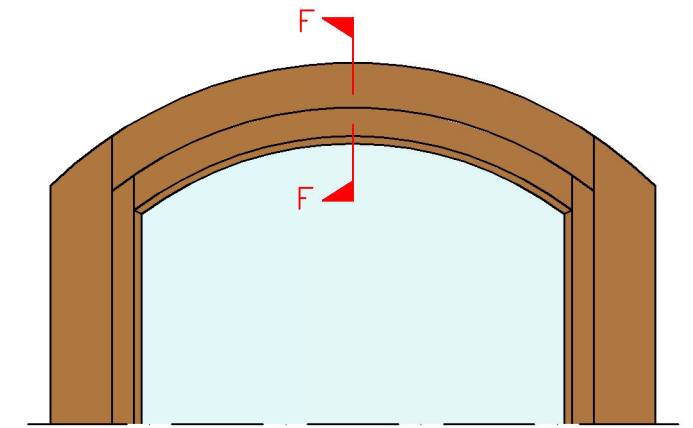


Vent not possible if X is under 400mm

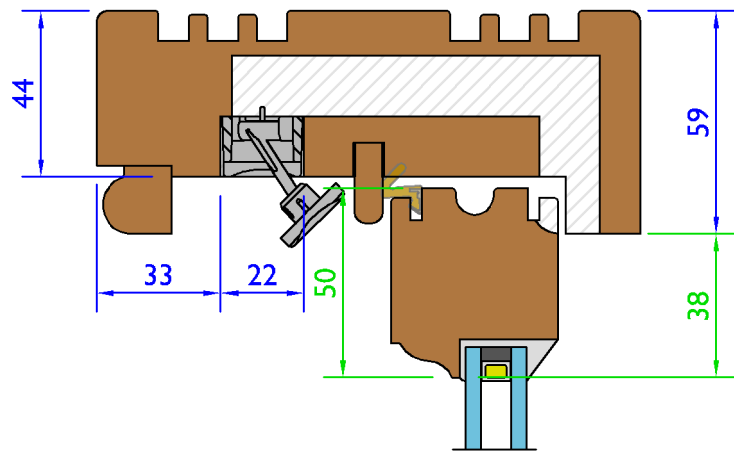
ARCHED HEAD  
Arch Detail Section F-F - (Scale 1:2)



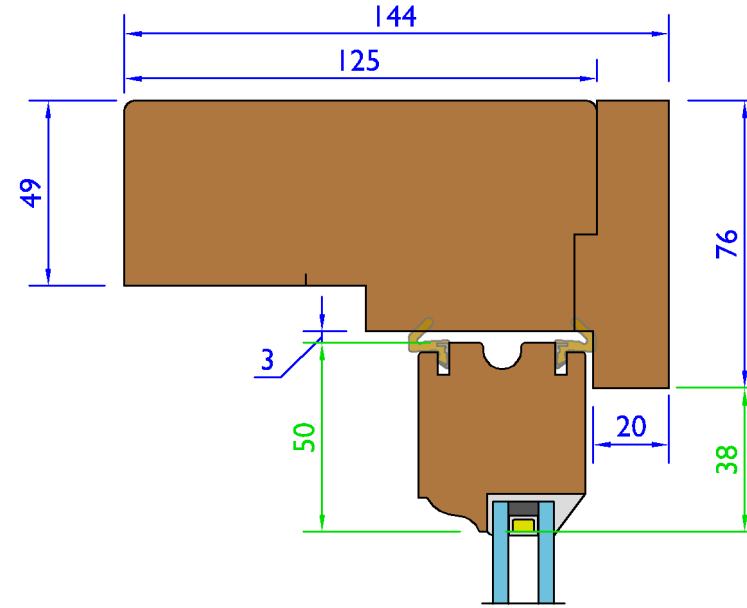
Arch Elevation Detail Section - (Scale 1:10)



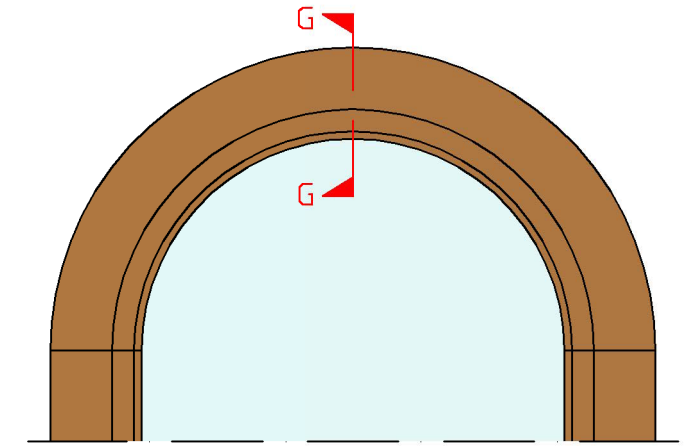
Head Vent Section Detail Section H-H - (Scale 1:2)



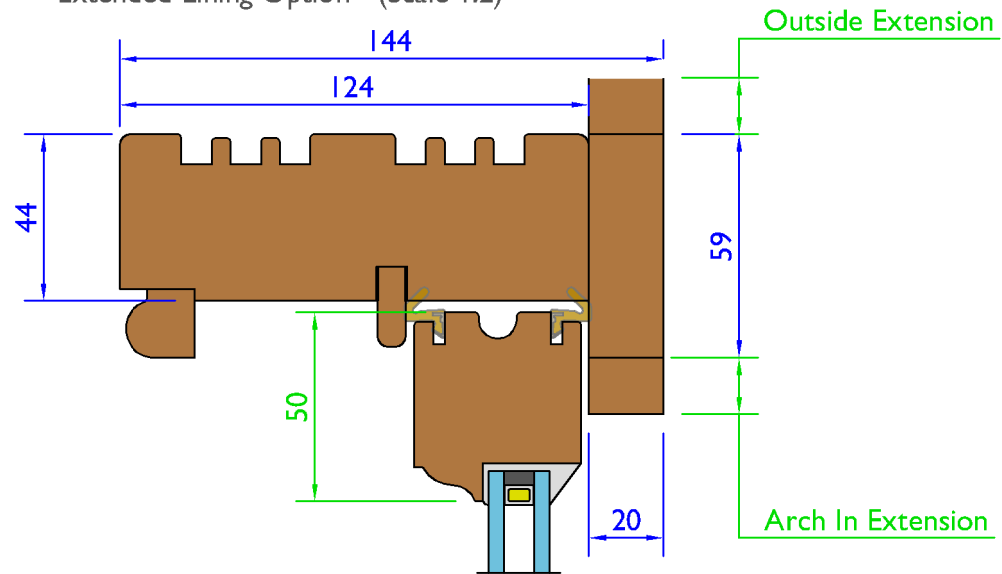
Large Arch Detail Section G-G - (Scale 1:2)



Semi-circular Arch Elevation Detail - (Scale 1:10)



Extended Lining Option - (Scale 1:2)



Vent System

Variable Dimensions  
(Dim shown is usually min)

Fixed Dimensions

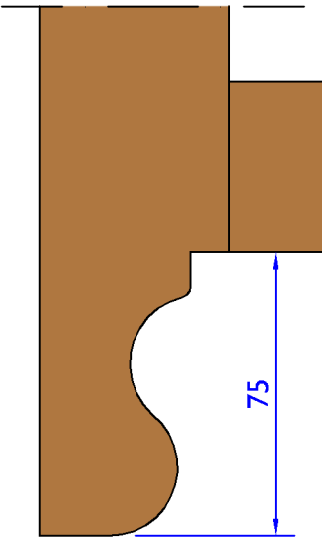
Tolerances: All tolerances are to George Barnsdale Standard Tolerance definitions (see supporting document for more detail) unless stated on the drawing.  
© George Barnsdale & Sons Ltd. All rights reserved. No part of this drawing may be reproduced without the permission of George Barnsdale & Son Ltd.

System: H-S3-144		
Title: Historic Slim - Tilting Sash Window (44mm)		
Scale: As Shown	Rev No: A	Date: 22-Mar-18
Drawn By: LH	Sheet No: 3	Status: Released

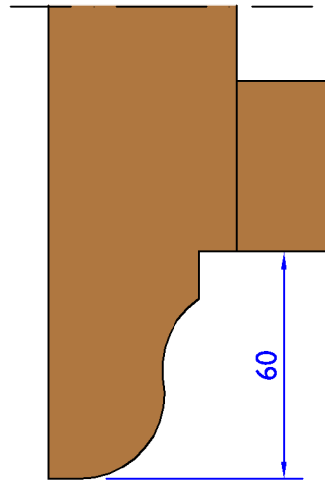
**GEORGE BARNSDALE**  
Est. 1884  
High Street, Donington, Spalding, Lincs, PE11 4TA  
01775 823000  
www.georgebarnsdale.co.uk

**SASH HORN OPTIONS** (Scale 1:2)

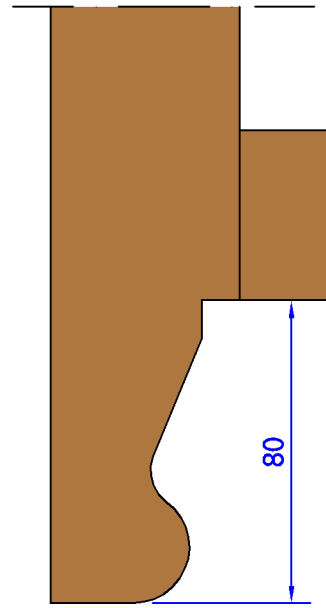
Sash Horn Type A



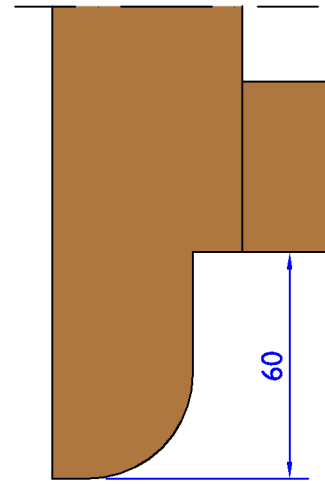
Sash Horn Type B



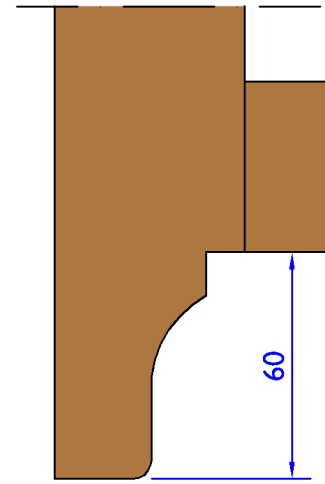
Sash Horn Type C



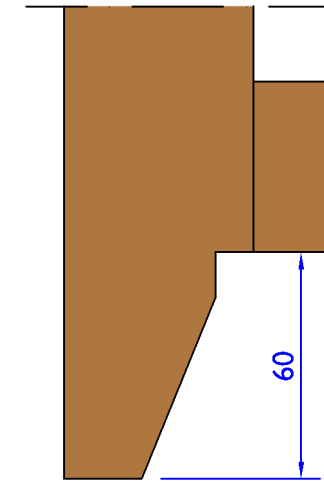
Sash Horn Type D



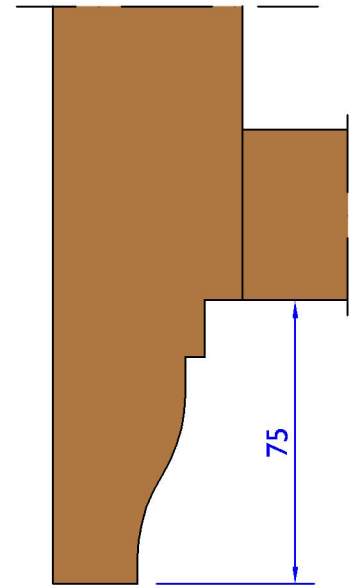
Sash Horn Type E



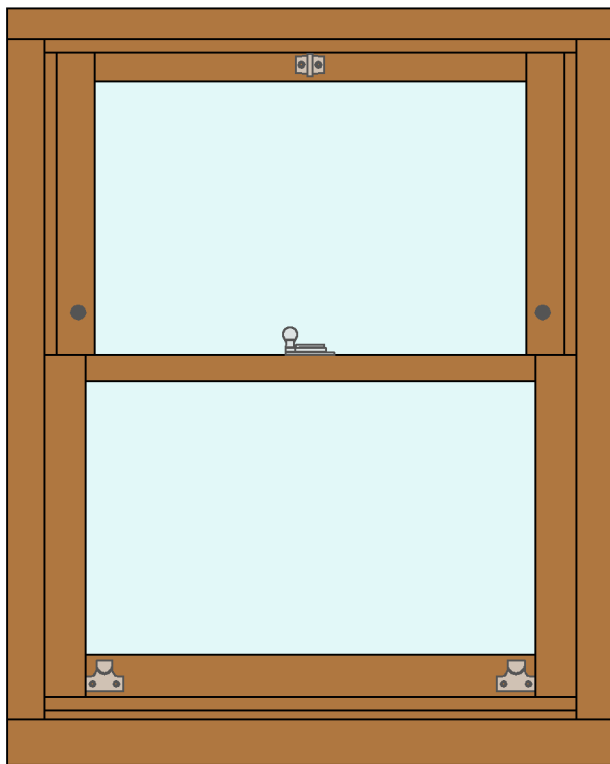
Sash Horn Type F



Sash Horn Type G

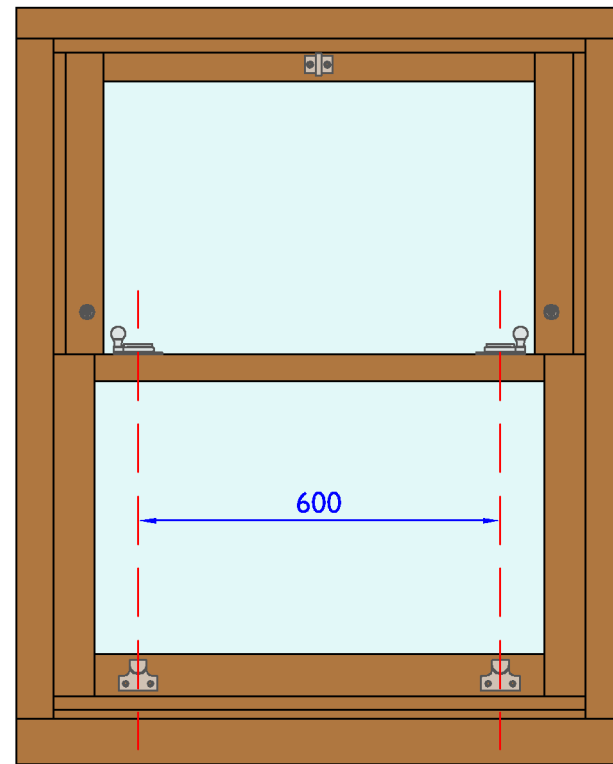


**Sash Pull Position** (sash width <900 mm) - (Scale 1:10)



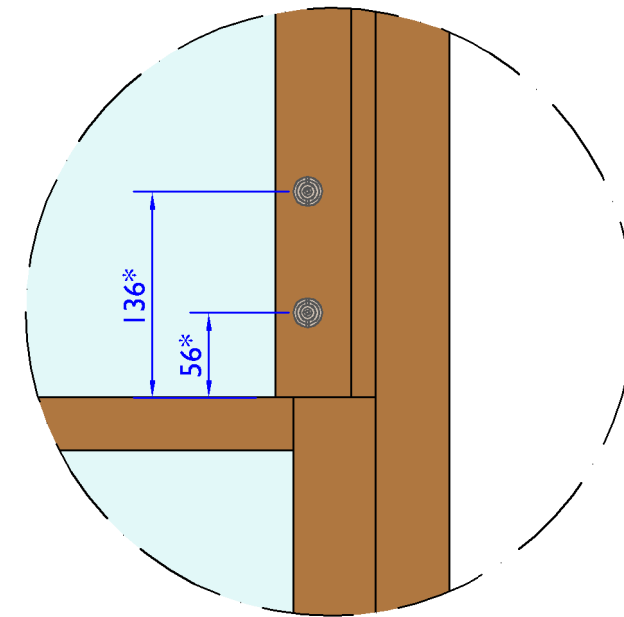
Sash pull aligned with sash rebate. Sash fastener centralised unless glazing bar requires it to be offset (offset to RHS when viewed from inside unless specified otherwise)

**Sash Pull + Fastener Position** (sash width >900 mm) - (Scale 1:10)



Sash pull aligned with sash fastener. Pull and fastener position as shown unless glazing bar requires alternative position which should then be positioned for best aesthetic by operator.

**Double Sash Stop Option** - (Scale 1:5)

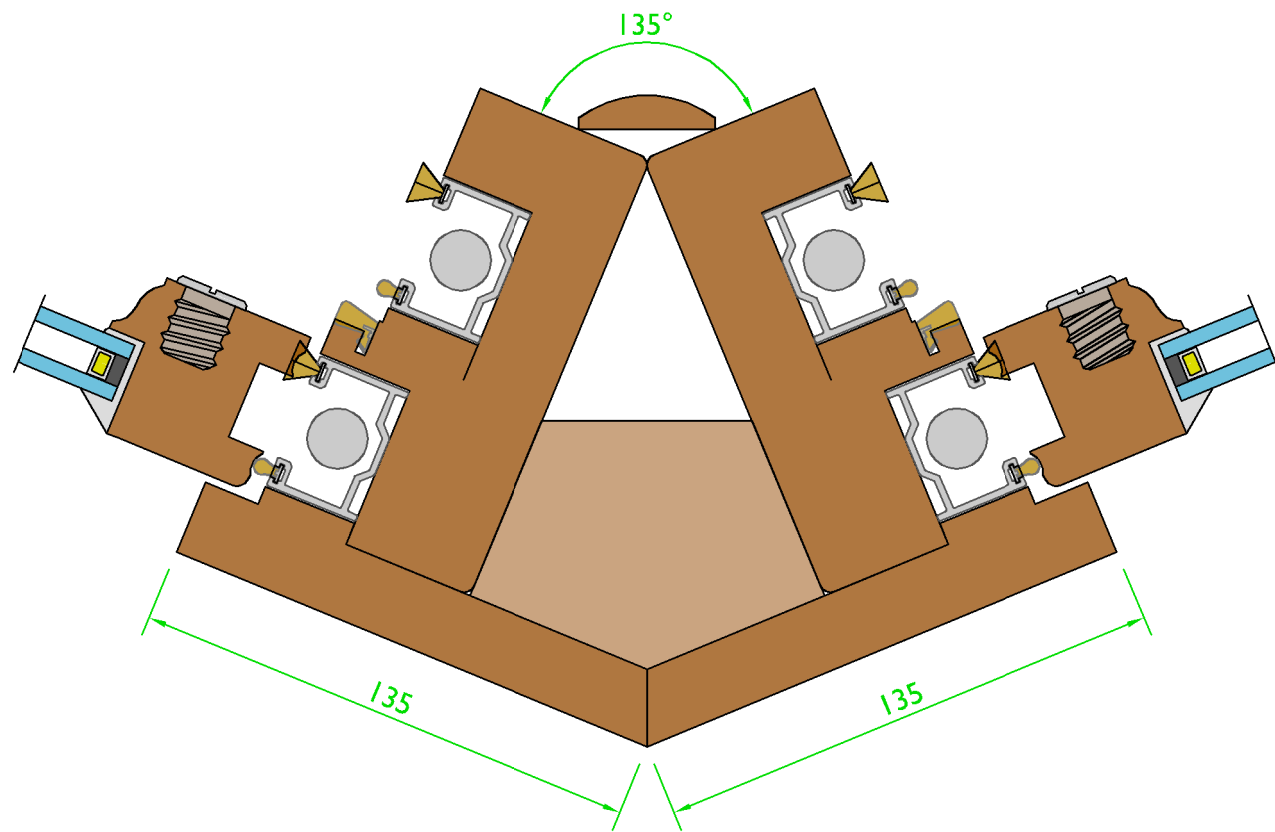


\* Dimensions shown provide (100mm and 20mm respectively), ventilation openings at the bottom of the window

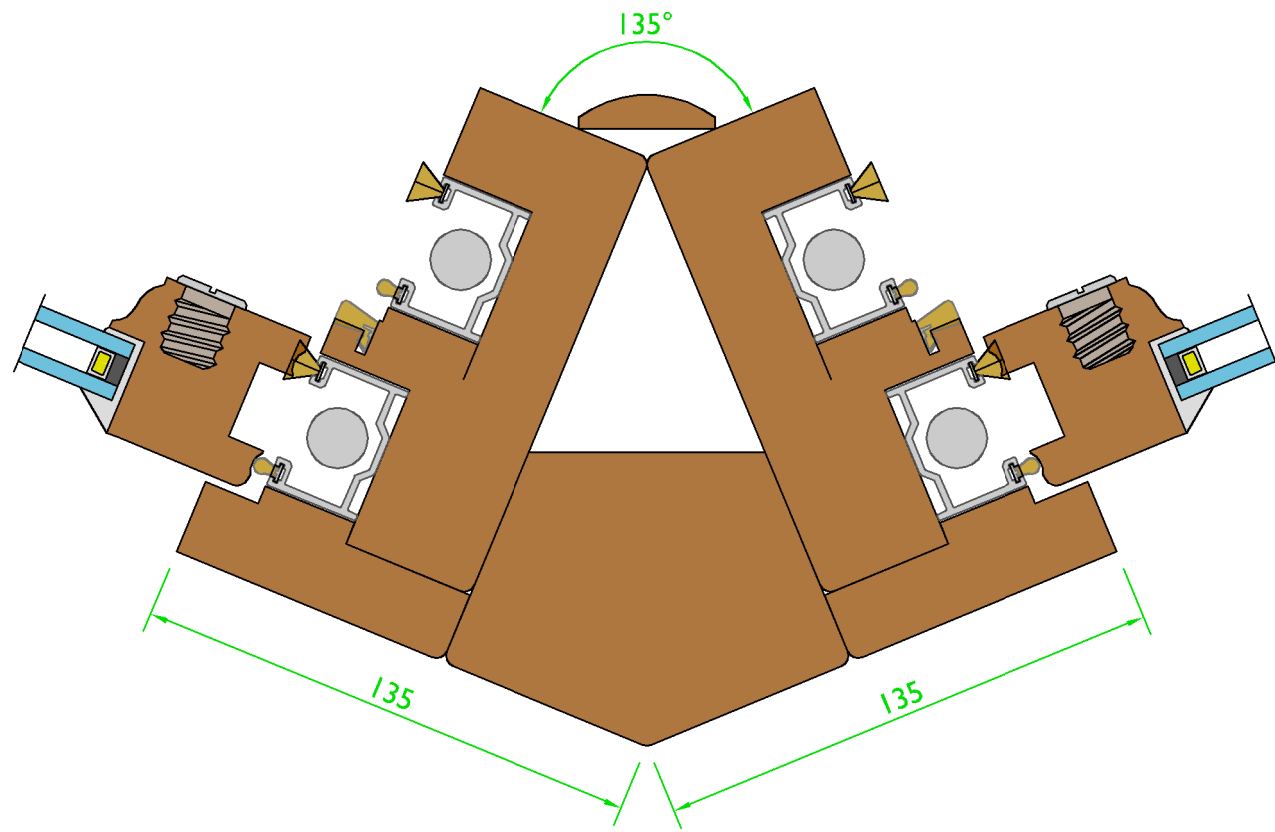
— Variable Dimensions (Dim shown is usually min)  
— Fixed Dimensions

System: H-S3-144		
Title: Historic Slim - Tilting Sash Window (44mm)		
Scale: As Shown	Rev No: A	Date: 22-Mar-18
Drawn By: LH	Sheet No: 4	Status: Released

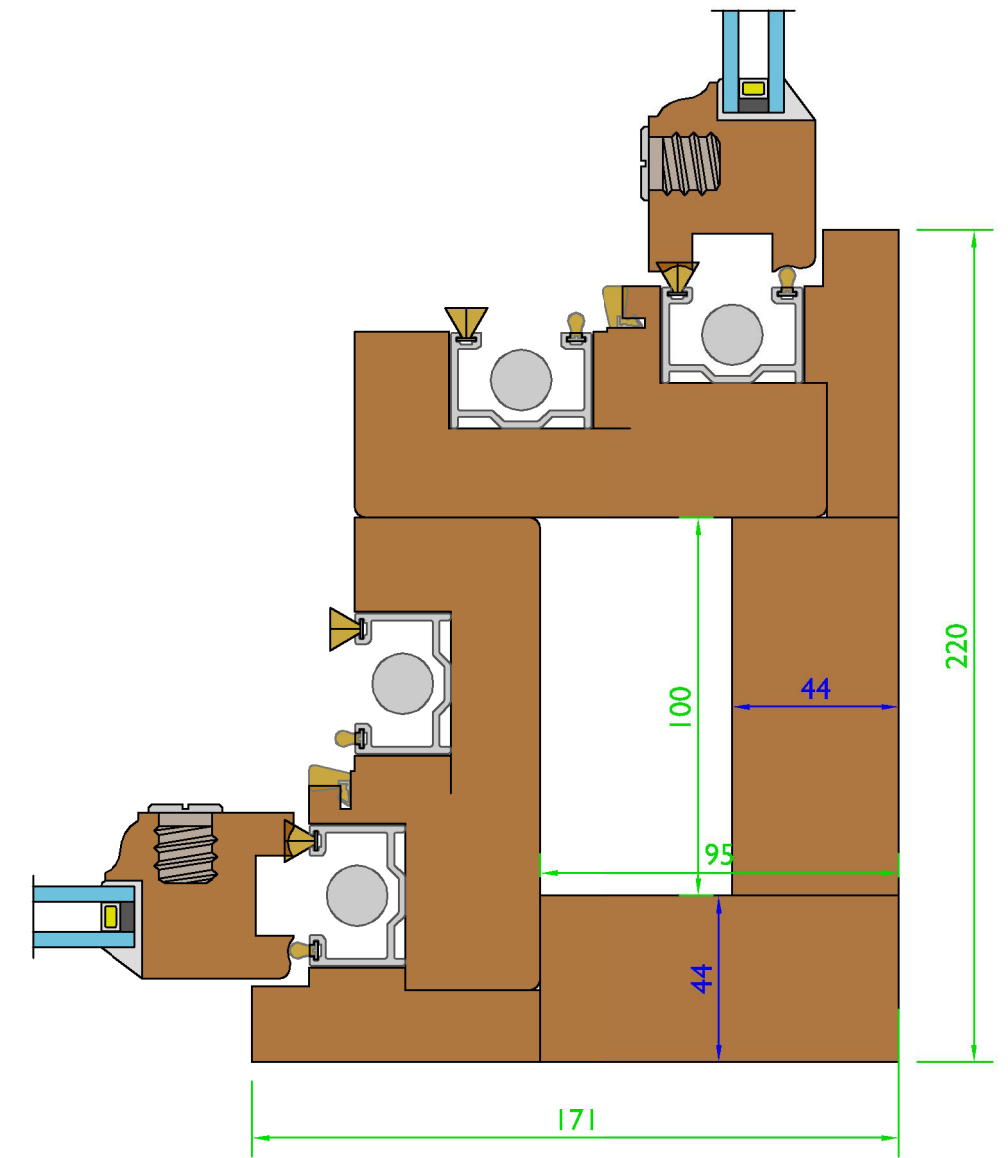
Angular Bay Corner Post Option - (Scale 1:2)



Angular Bay Corner Post Option - (Scale 1:2)



Square Bay Corner Post Option - (Scale 1:2)



Tolerances: All tolerances are to George Barnsdale Standard Tolerance definitions (see supporting document for more detail) unless stated on the drawing.  
 © George Barnsdale & Sons Ltd. All rights reserved. No part of this drawing may be reproduced without the permission of George Barnsdale & Son Ltd.

System: H-S3-144		
Title: Historic Slim - Tilting Sash Window (44mm)		
Scale: As Shown	Rev No: A	Date: 22-Mar-18
Drawn By: LH	Sheet No: 5	Status: Released

**GEORGE BARNSDALE**  
 Est. 1884  
 High Street, Donington, Spalding, Lincs, PE11 4TA  
 01775 823000  
 www.georgebarnsdale.co.uk