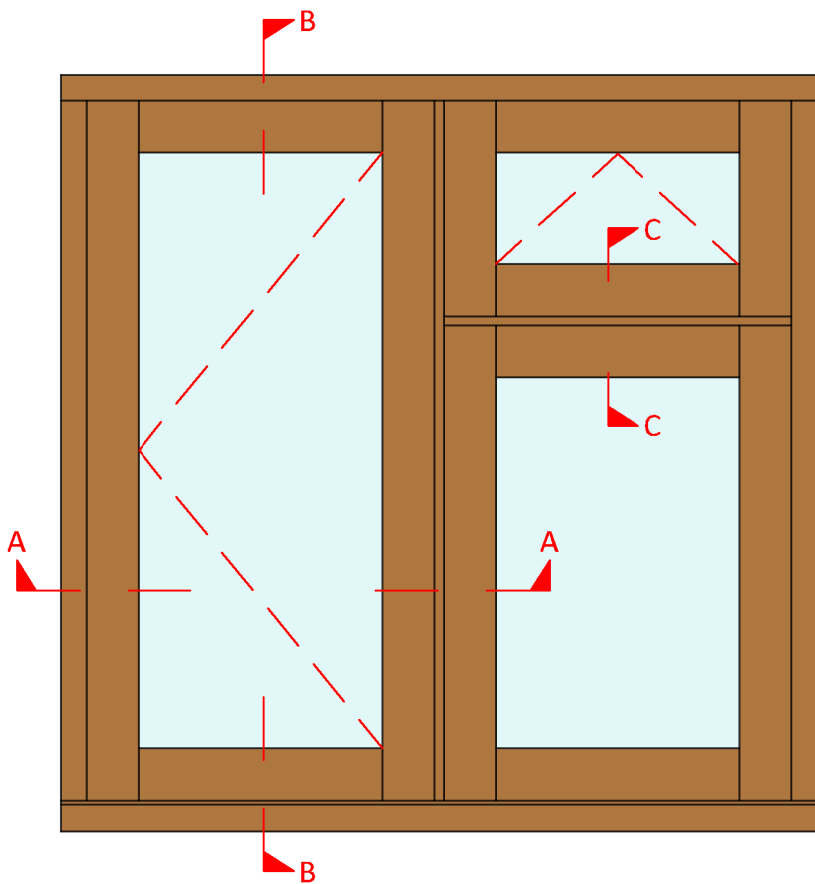
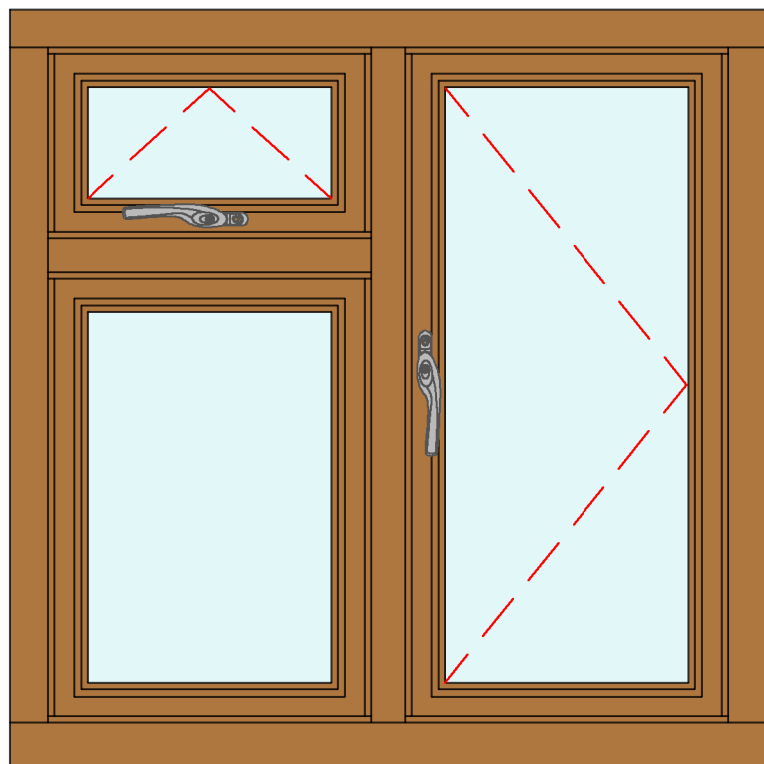


ELEVATIONS

Elevation 1 - Outside View (Scale 1:10)

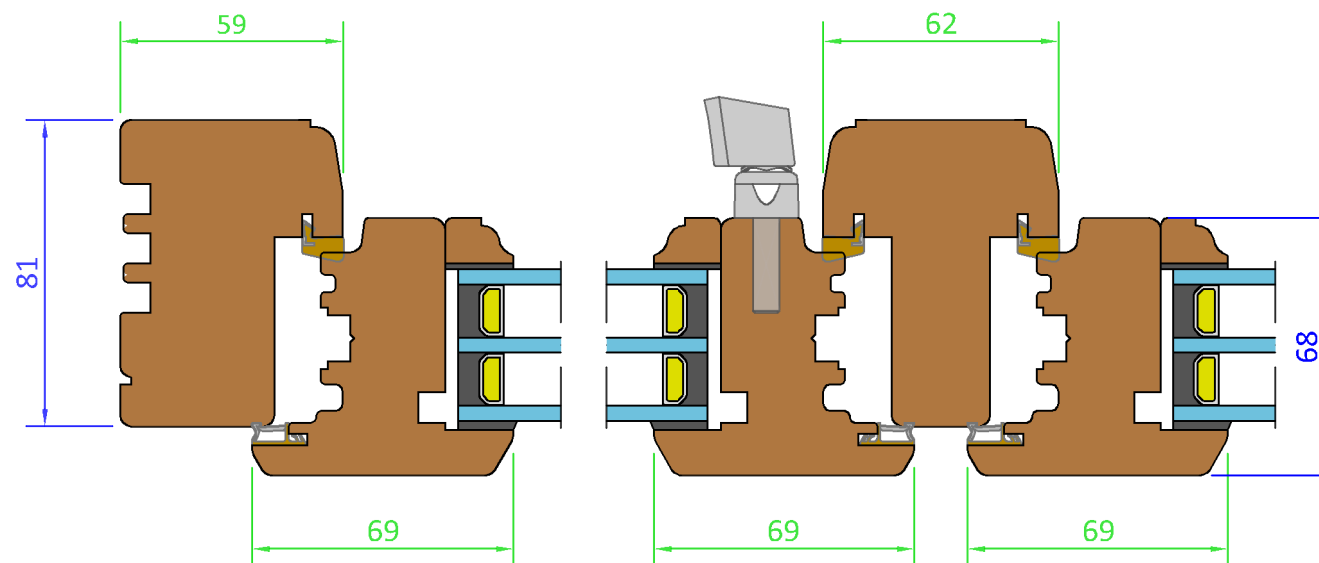


Elevation 2 - Inside View (Scale 1:10)

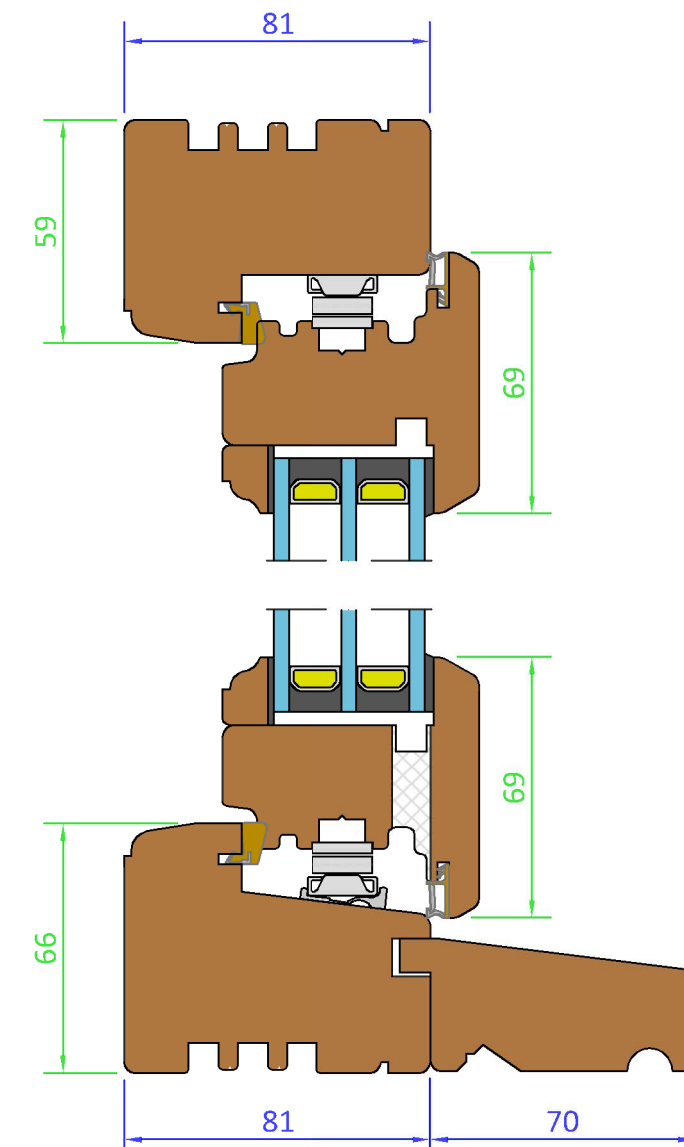


SECTIONS

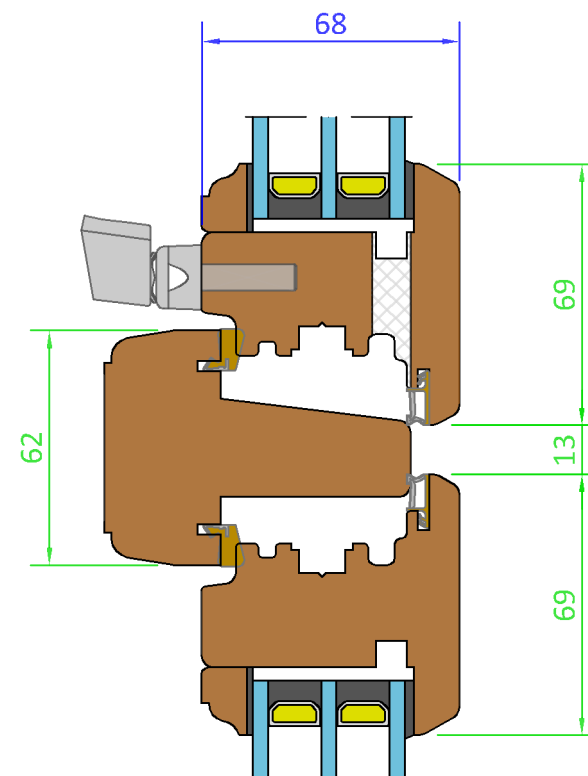
Section A-A - Jamb and mullion (Scale 1:2)



Section B-B - Head and cill (Scale 1:2)



Section C-C - Transom (Scale 1:2)



Drainage System

Variable Dimensions
(Dim shown is usually min)

Fixed Dimensions

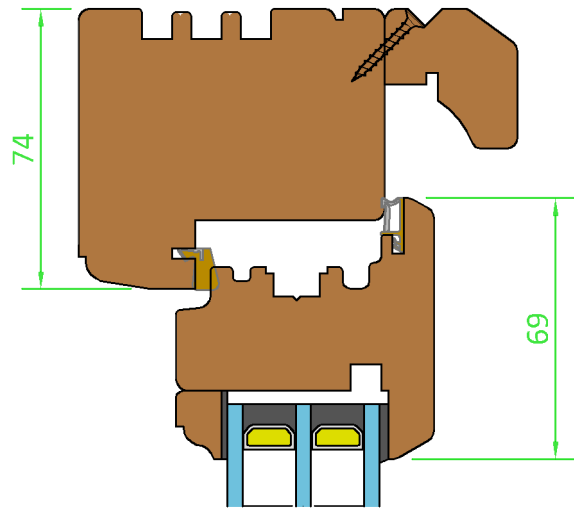
Tolerances: All tolerances are to George Barnsdale Standard Tolerance definitions (see supporting document for more detail) unless stated on the drawing.
© George Barnsdale & Sons Ltd. All rights reserved. No part of this drawing may be reproduced without the permission of George Barnsdale & Son Ltd.

System: T-C1-81-68		
Title: Traditional - Stormproof Casement Window		
Scale: As Shown	Rev No: A	Date: 9-Mar-18
Drawn By: LH	Sheet No: 1	Status: Released

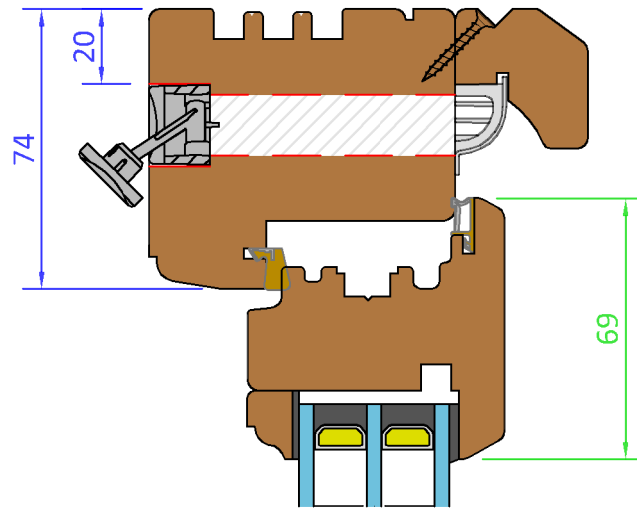
GEORGE BARNSDALE
Est. 1884
High Street, Donington, Spalding, Lincs, PE11 4TA
01775 823000
www.georgebarnsdale.co.uk

FRAME AND SASH OPTIONS

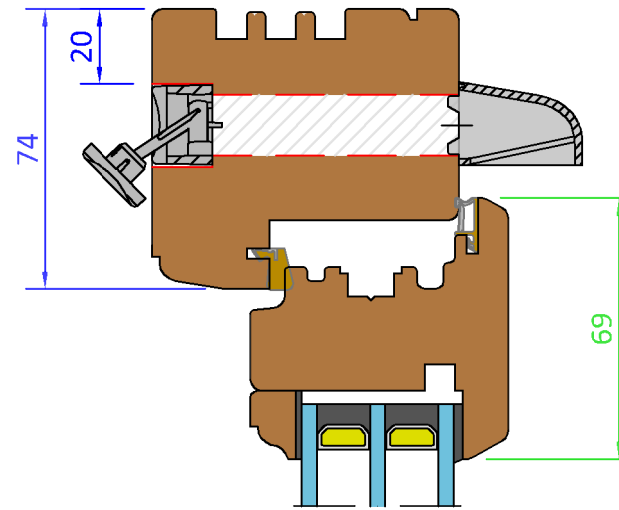
Head Drip Option - (Scale 1:2)



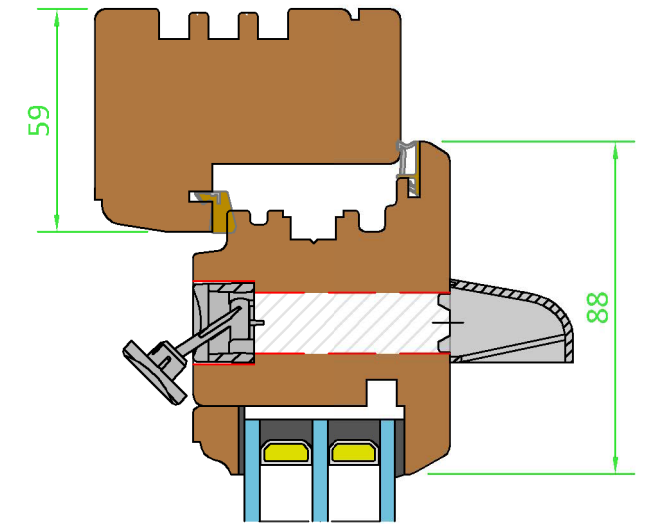
Frame Vent (Slide In/Grill Out) - (Scale 1:2)



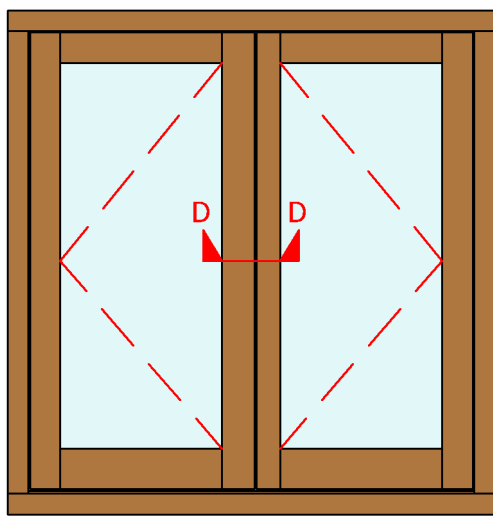
Frame Vent (Slide In/Canopy Out) - (Scale 1:2)



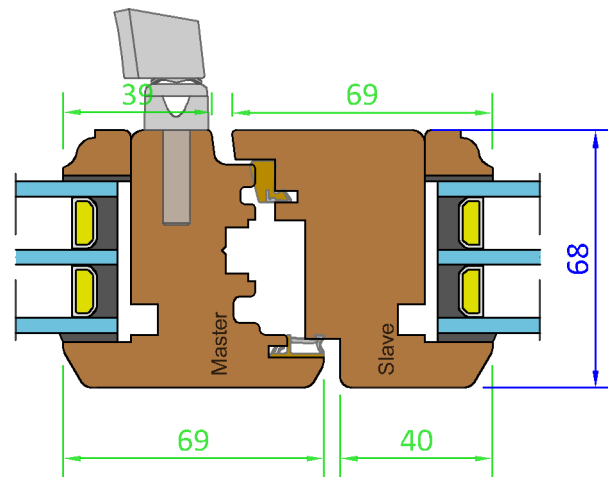
Sash Vent (Slide In/Canopy Out) - (Scale 1:2)



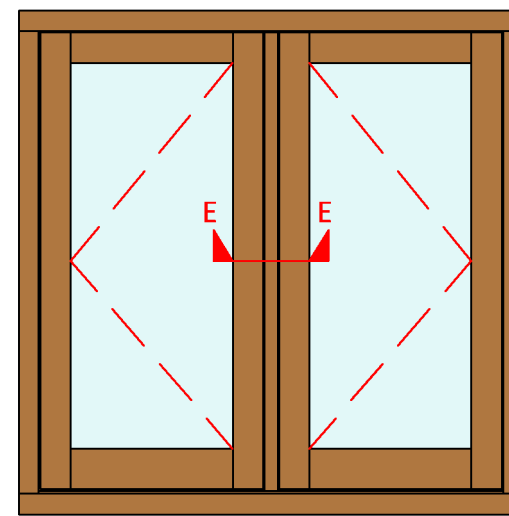
French Meeting Elevation - (Scale 1:15)



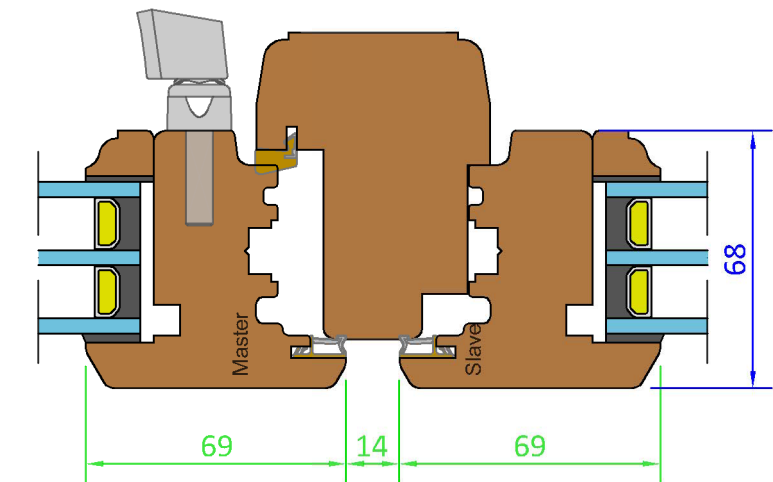
French Window - Section E:D - (Scale 1:2)
Needs to be at least 500mm wide to be a fire escape window.



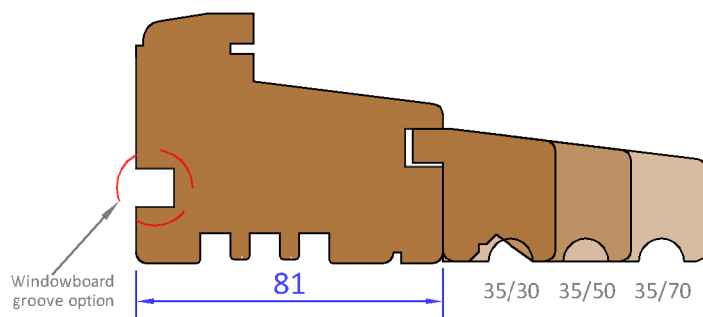
False Mullion Elevation - (Scale 1:15)



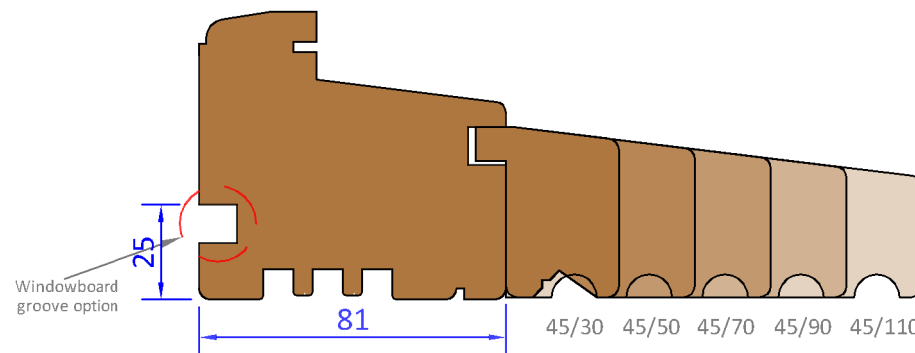
False Mullion - Section E:E - (Scale 1:2)



Cill Extension Options - 35mm - (Scale 1:2)



Cill Extension Options - 45mm - (Scale 1:2)



Vent System

Variable Dimensions
(Dim shown is usually min)

Fixed Dimensions

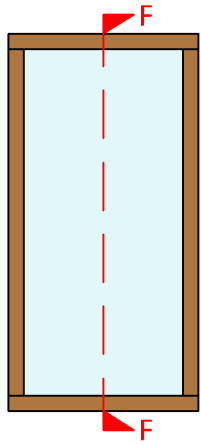
Tolerances: All tolerances are to George Barnsdale Standard Tolerance definitions (see supporting document for more detail) unless stated on the drawing.
© George Barnsdale & Sons Ltd. All rights reserved. No part of this drawing may be reproduced without the permission of George Barnsdale & Son Ltd.

System: T-C1-81-68		
Title: Traditional - Stormproof Casement Window		
Scale: As Shown	Rev No: A	Date: 9-Mar-18
Drawn By: LH	Sheet No: 2	Status: Released

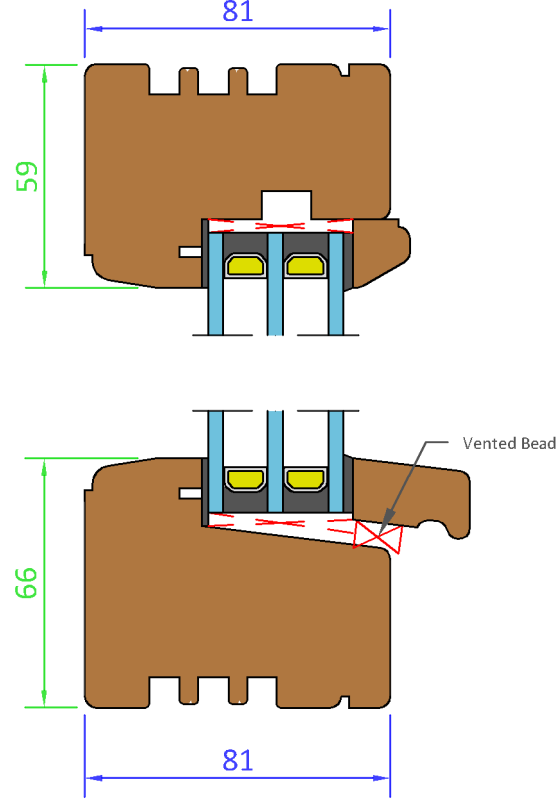
GEORGE BARNSDALE
Est. 1884
High Street, Donington, Spalding, Lincs, PE11 4TA
01775 823000
www.georgebarnsdale.co.uk

DIRECT GLAZED AND CONNECTION OPTIONS

Direct Glazed Elevation - (Scale 1:20)

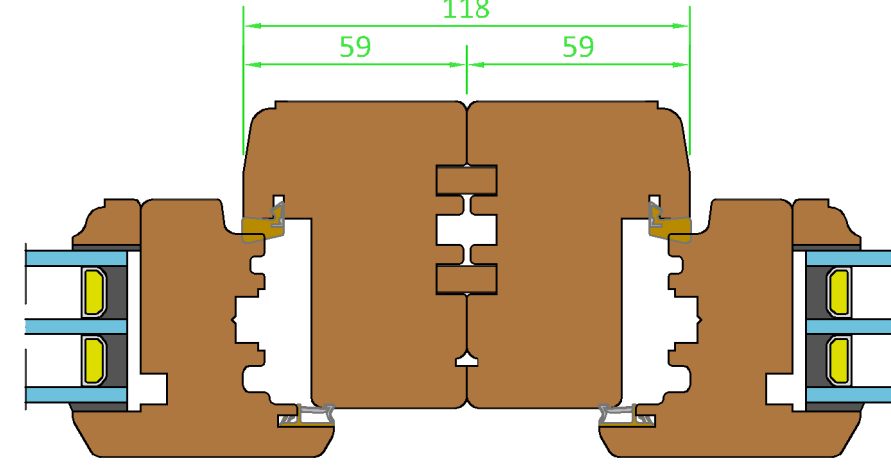


Direct Glazed Options - Section F:F - (Scale 1:2)

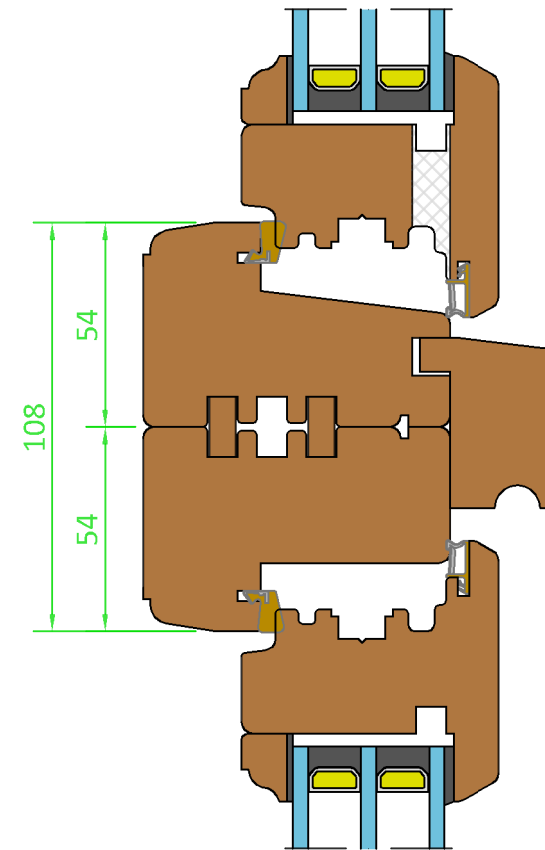


Frame Connection

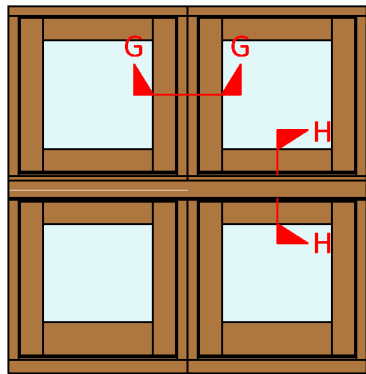
Jamb Connection - Section G:G - (Scale 1:2)



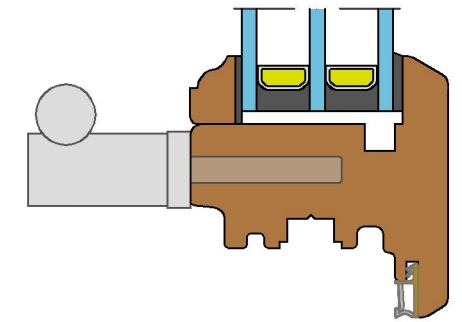
Cover Extension - Section HH - (Scale 1:2)



Frame Connection Elevation - (Scale 1:20)



Handle Option - (Scale 1:2)



 Vent System

 Variable Dimensions
(Dim shown is usually min)

 Fixed Dimensions

Tolerances: All tolerances are to George Barnsdale Standard Tolerance definitions (see supporting document for more detail) unless stated on the drawing.
© George Barnsdale & Sons Ltd. All rights reserved. No part of this drawing may be reproduced without the permission of George Barnsdale & Son Ltd.

System: T-C1-81-68		
Title: Traditional - Stormproof Casement Window		
Scale:	As Shown	Rev No: A
		Date: 9-Mar-18
Drawn By:	LH	Sheet No: 3
		Status: Released

GEORGE BARNSDALE
Est. 1884
High Street, Donington, Spalding, Lincs, PE11 4TA
01775 823000
www.georgebarnsdale.co.uk

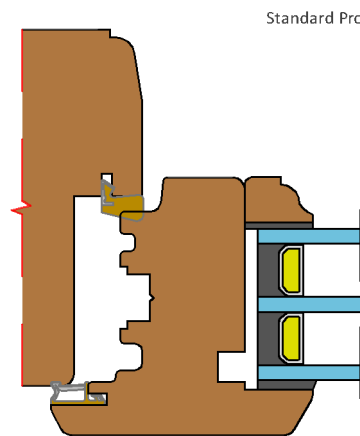
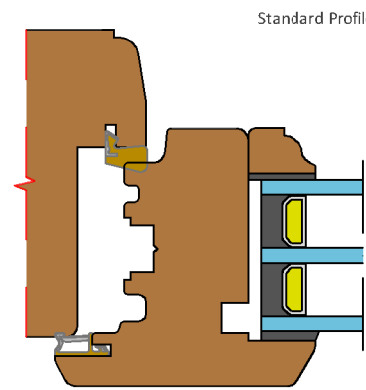
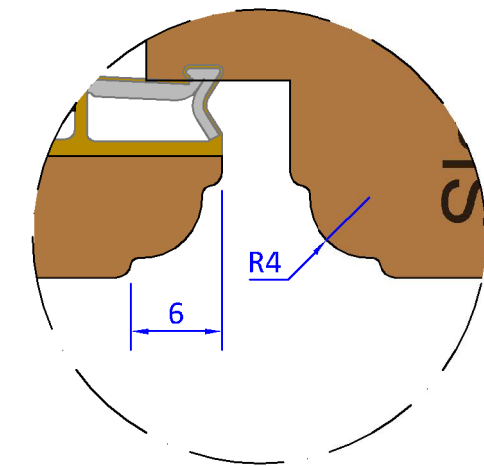
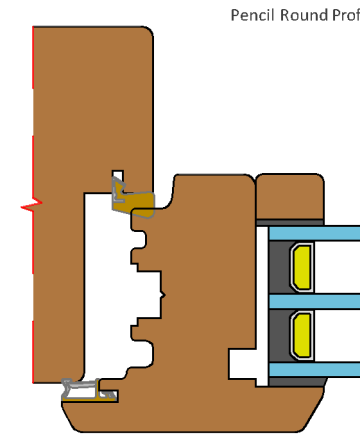
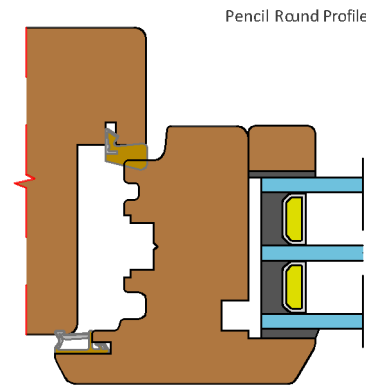
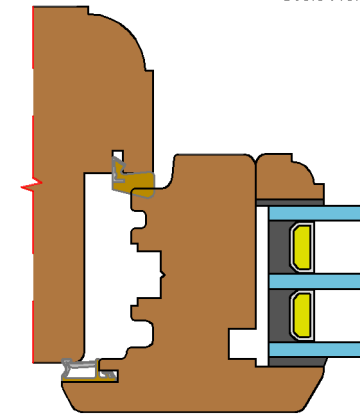
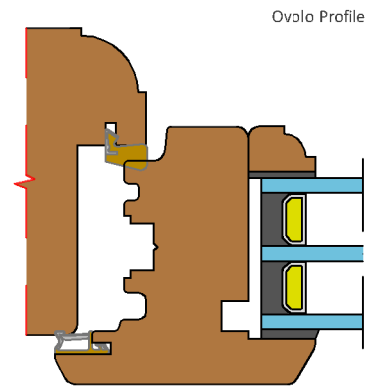
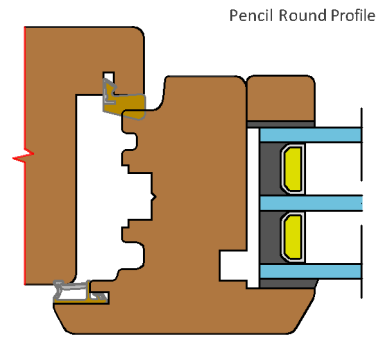
FRAME OPTIONS - (Scale 1:2)

Frame Inside Options - 68mm

Frame Inside Options - 81mm

Frame Inside Options - 94mm

Sash Outside Ovolo Option
- (Scale 2:1)



Variable Dimensions
(Dim shown is usually min)

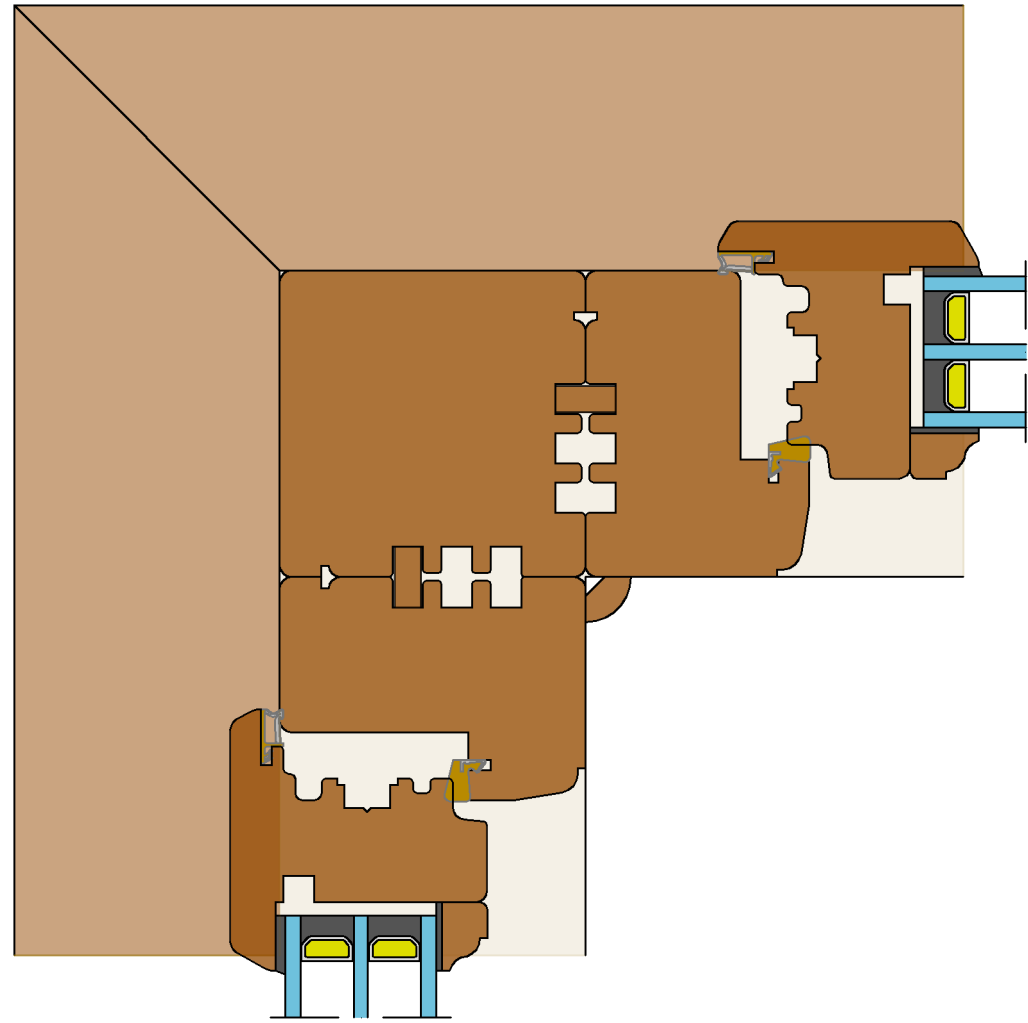
Fixed Dimensions

Tolerances: All tolerances are to George Barnsdale Standard Tolerance definitions (see supporting document for more detail) unless stated on the drawing.
© George Barnsdale & Sons Ltd. All rights reserved. No part of this drawing may be reproduced without the permission of George Barnsdale & Son Ltd.

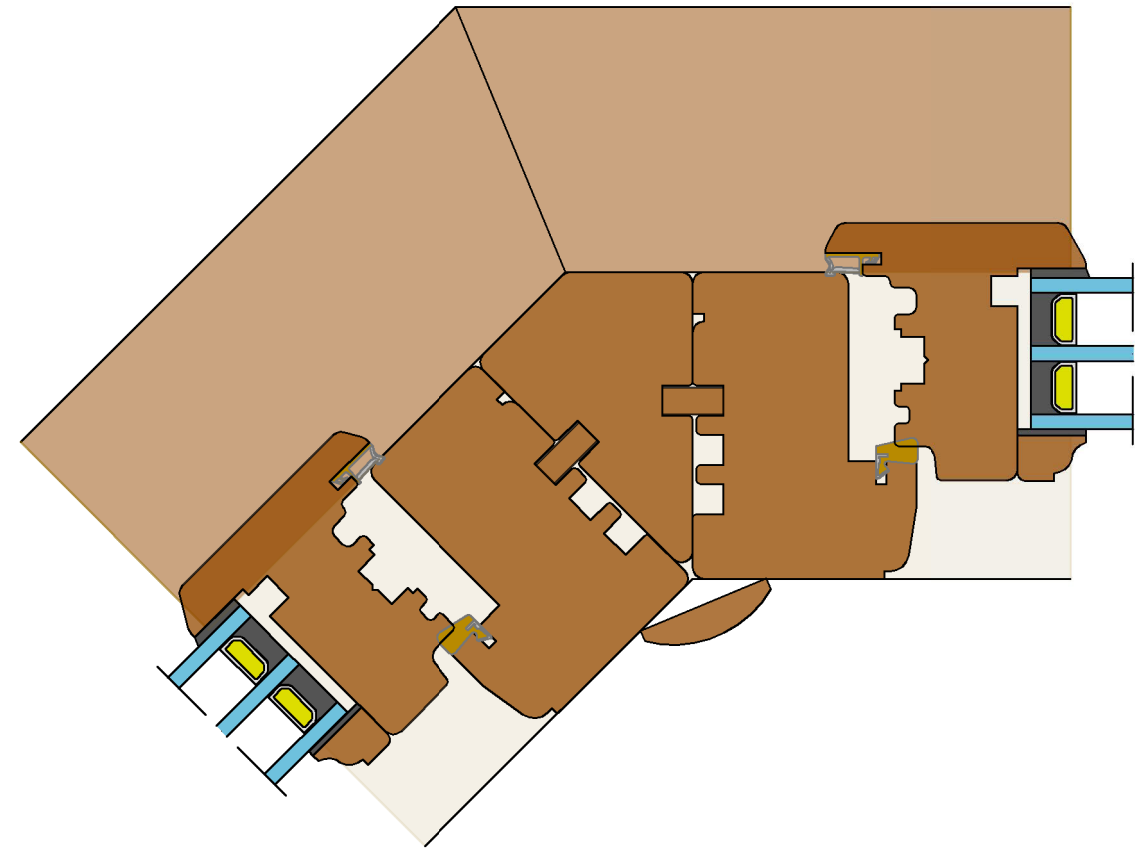
System: T-C1-81-68		
Title: Traditional - Stormproof Casement Window		
Scale:	As Shown	Rev No: A
		Date: 9-Mar-18
Drawn By:	LH	Sheet No: 4
		Status: Released

GEORGE BARNSDALE
Est. 1884
High Street, Donington, Spalding, Lincs, PE11 4TA
01775 823000
www.georgebarnsdale.co.uk

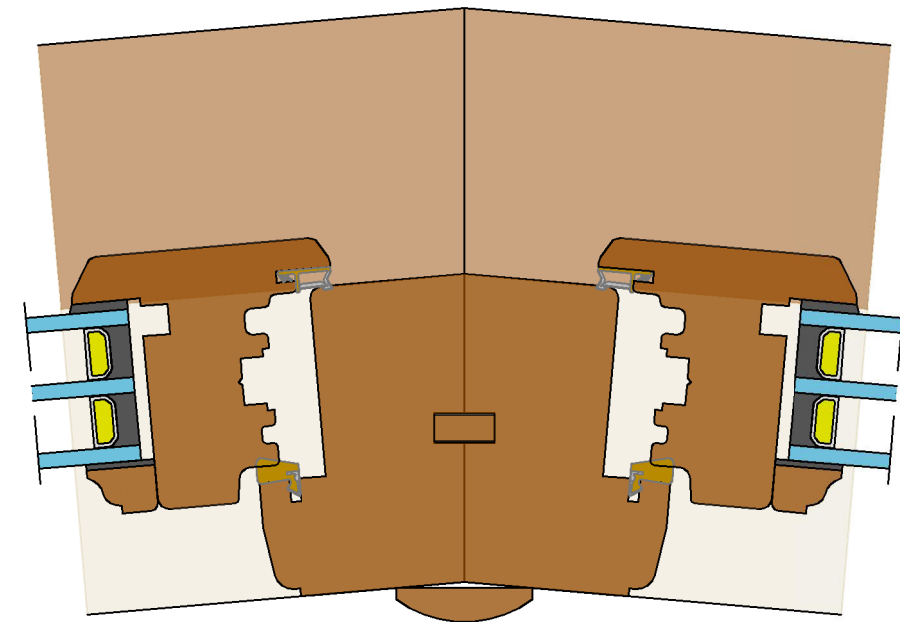
90° Corner Post



91-155° Angled Corner Post



156-179° Segmented Bay



Variable Dimensions
(Dim shown is usually min)

Fixed Dimensions

System: T-C1-81-68			
Title: Traditional - Stormproof Casement Window			
Scale:	As Shown	Rev No: A	Date: 9-Mar-18
Drawn By:	LH	Sheet No: 4	Status: Released

GEORGE BARNSDALE
Est. 1884
High Street, Donington, Spalding, Lincs, PE11 4TA
01775 823000
www.georgebarnsdale.co.uk