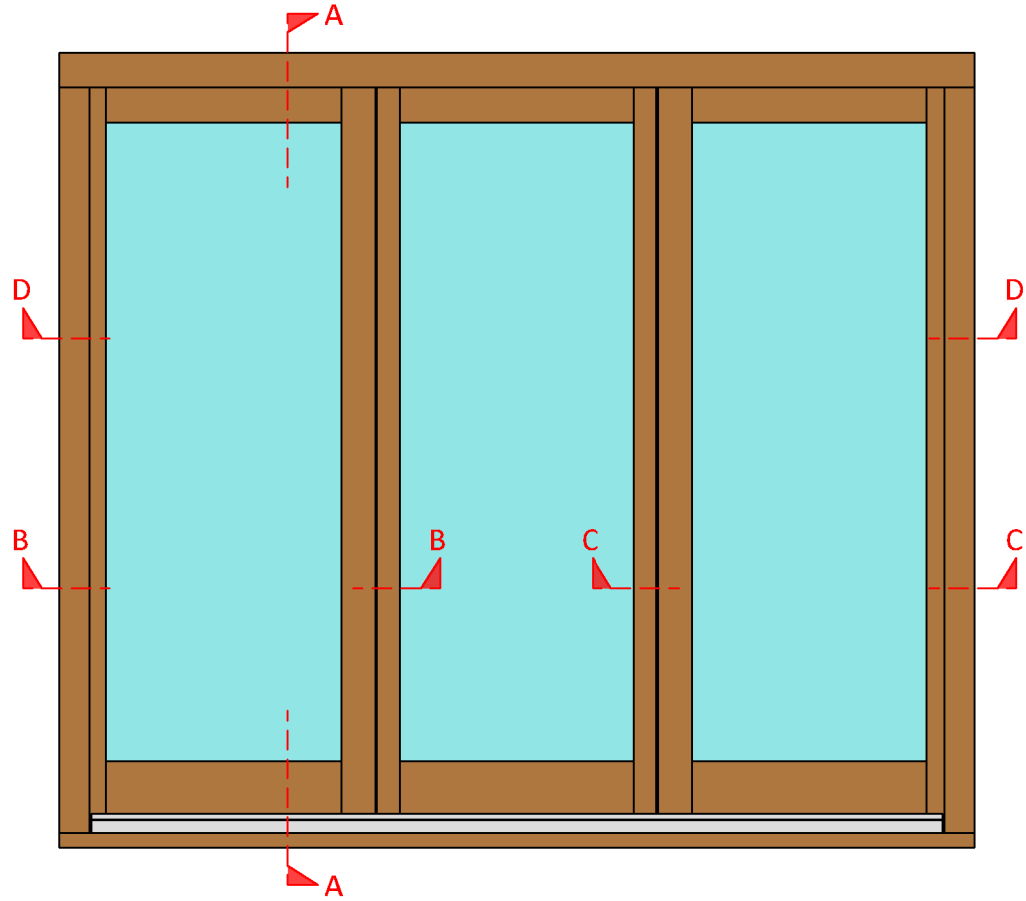
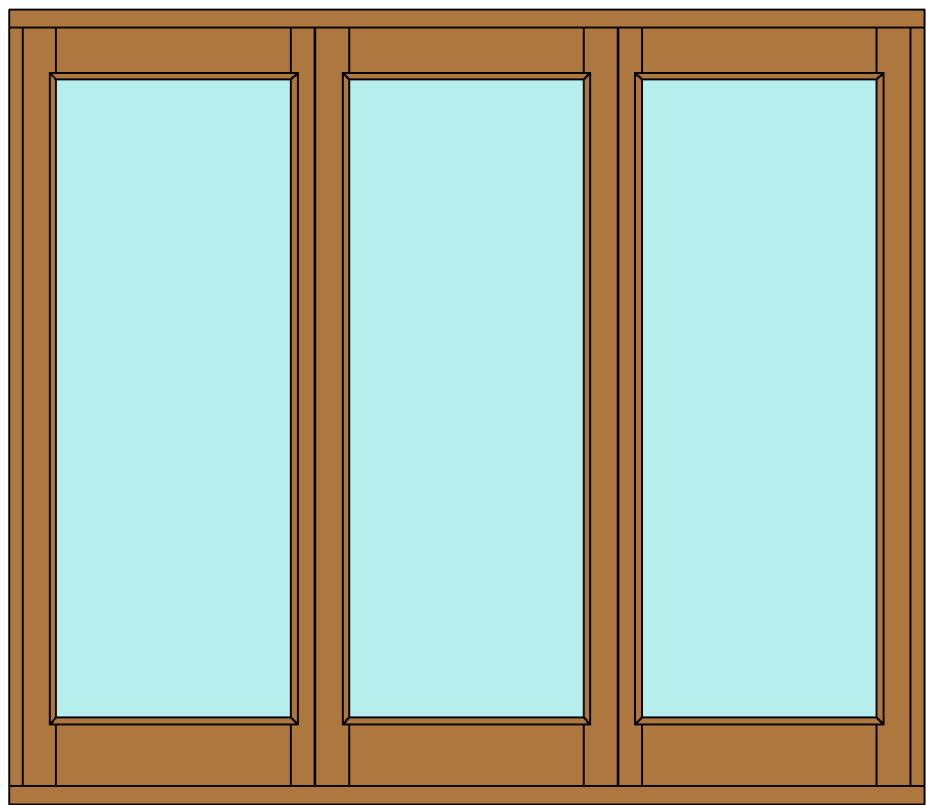


ELEVATIONS

Elevation 1 - Outside View

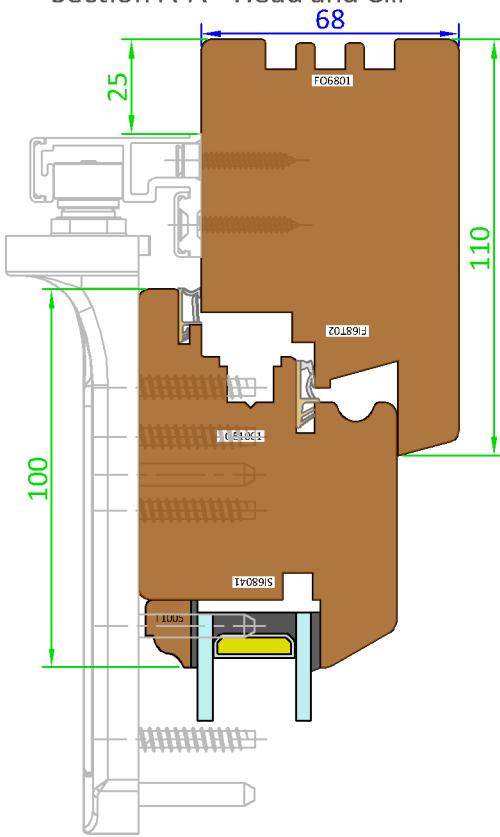


Elevation 2 - Inside View

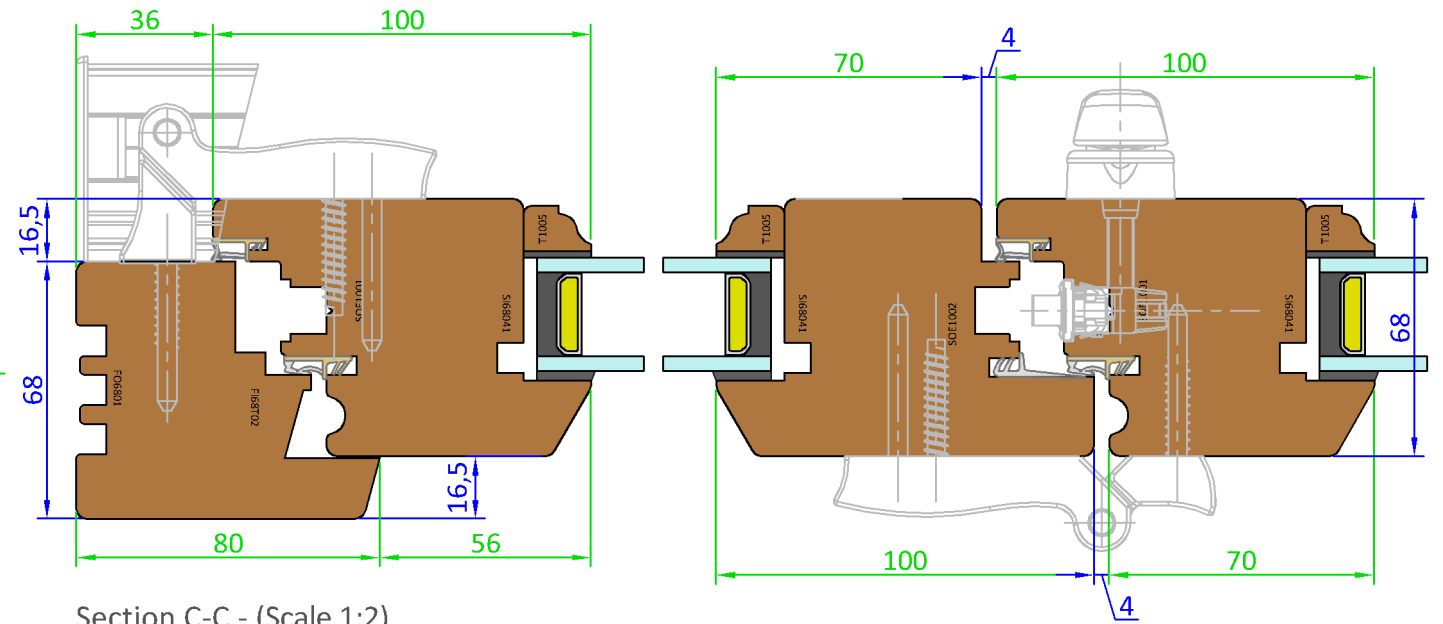


SECTIONS

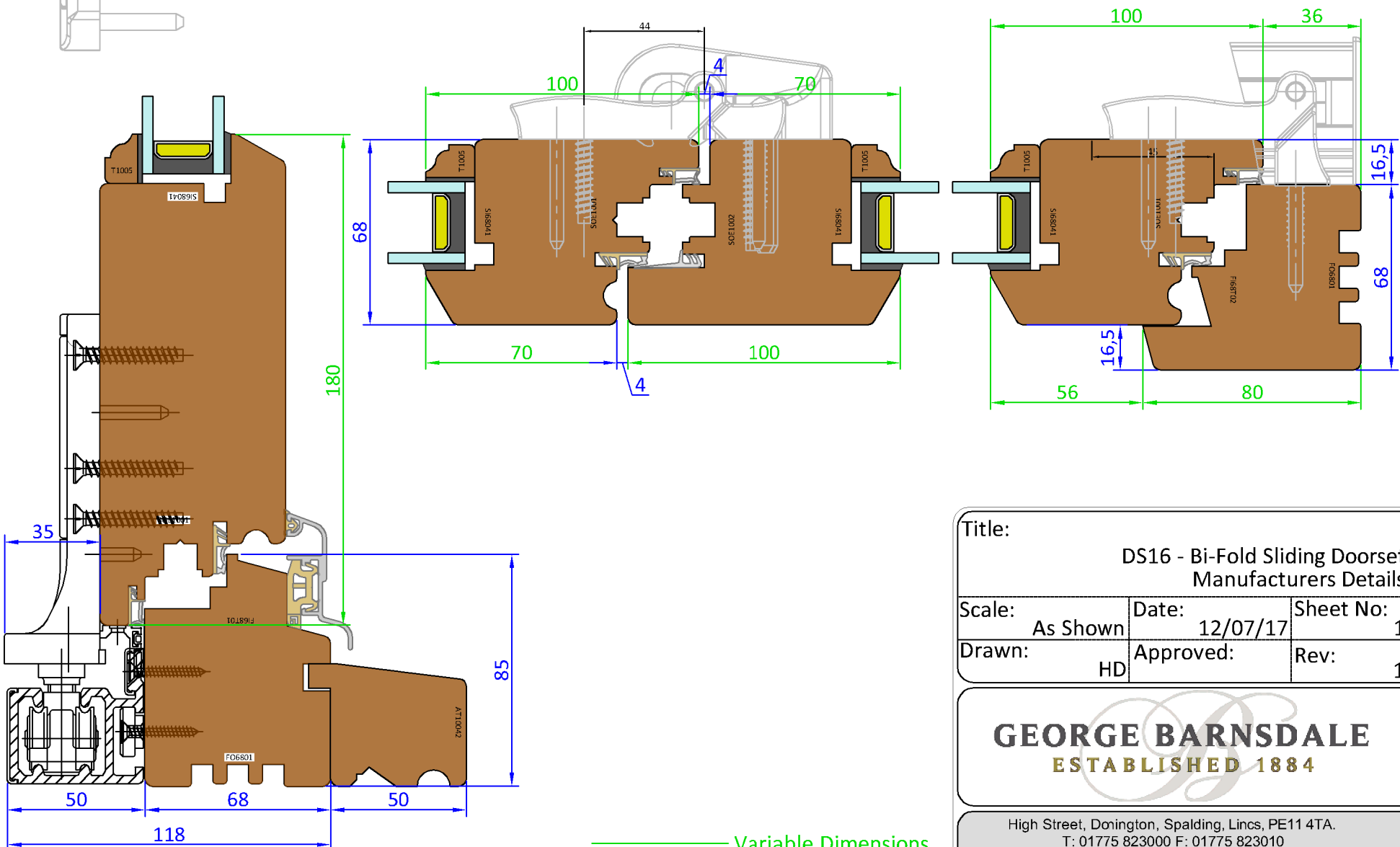
Section A-A - Head and Cill



Section B-B - (Scale 1:2)



Section C-C - (Scale 1:2)



Tolerances: All tolerances are to George Barnsdale Standard Tolerance definitions (see supporting document for more detail) unless stated on the drawing.
 © George Barnsdale & Sons Ltd. All rights reserved. No part of this drawing may be reproduced without the permission of George Barnsdale & Son Ltd.

Variable Dimensions
 Fixed Dimensions

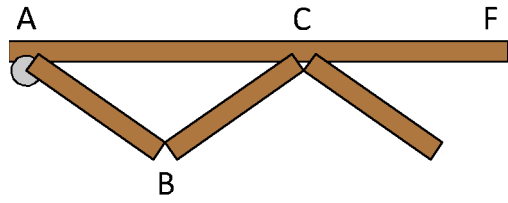
Title: DS16 - Bi-Fold Sliding Doorset Manufacturers Details		
Scale: As Shown	Date: 12/07/17	Sheet No: 1
Drawn: HD	Approved:	Rev: 1



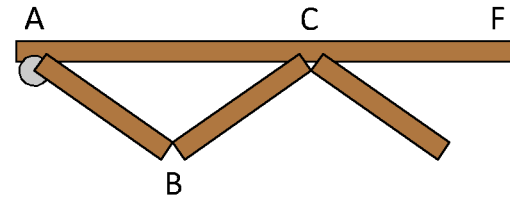
High Street, Dodington, Spalding, Lincs, PE11 4TA.
 T: 01775 823000 F: 01775 823010
 enquiries@georgebarnsdale.co.uk
 www.georgebarnsdale.co.uk

SCHEME PLANS - (Scale 1:??)

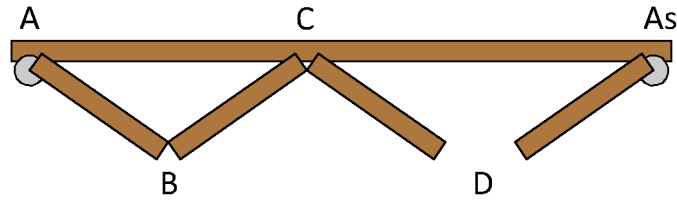
Scheme 330 - (DS16-330)



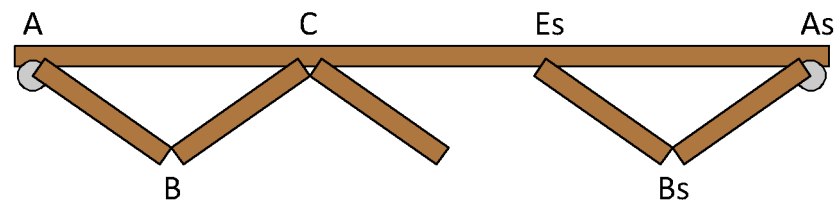
Scheme 330 - (DS16-321)



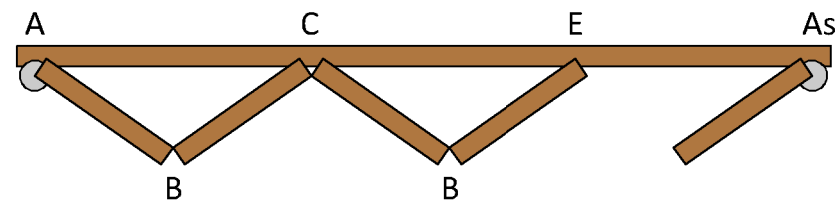
Scheme 431 - (DS16-431)



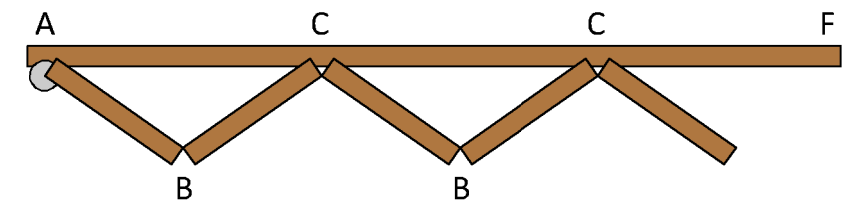
Scheme 532 - (DS16-532)



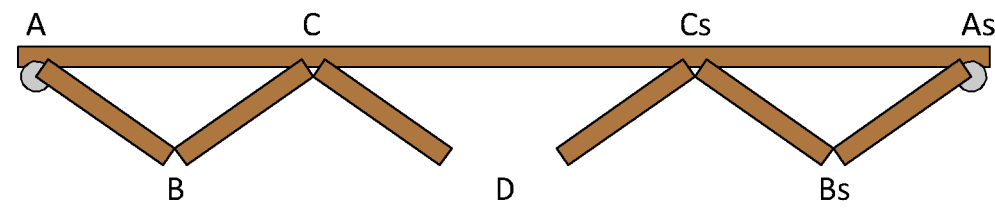
Scheme 541 - (DS16-541)



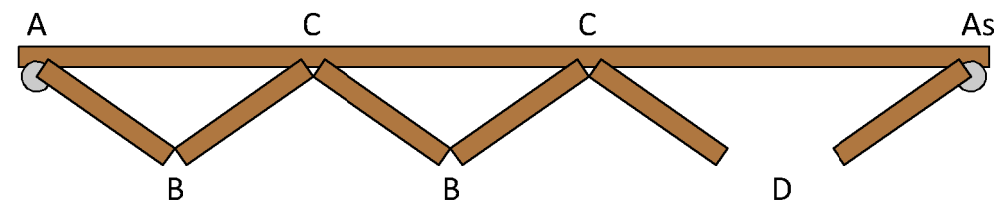
Scheme 550 - (DS16-550)



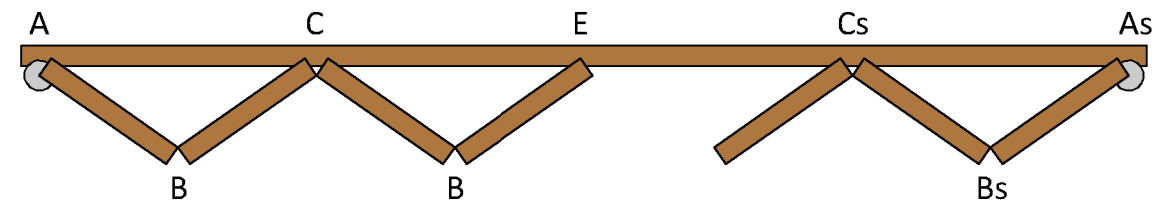
Scheme 633 - (DS16-633)



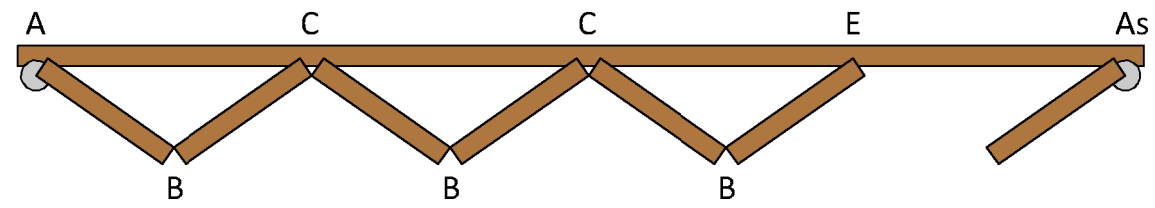
Scheme 651 - (DS16-651)



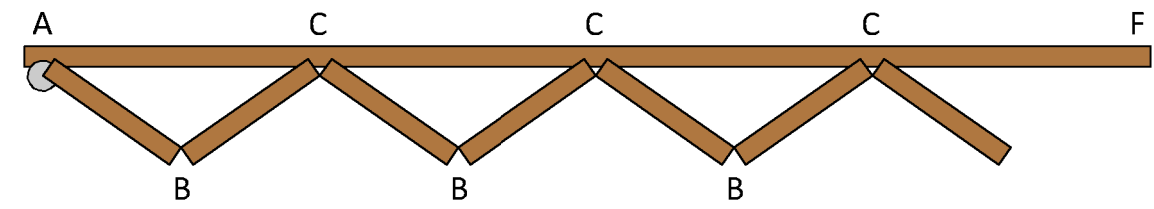
Scheme 743 - (DS16-743)



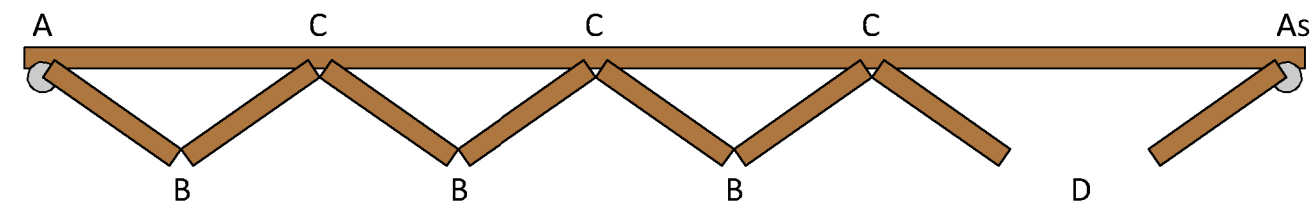
Scheme 761 - (DS16-761)



Scheme 770 - (DS16-770)



Scheme 871 - (DS16-871)



Tolerances: All tolerances are to George Barnsdale Standard Tolerance definitions (see supporting document for more detail) unless stated on the drawing.
 © George Barnsdale & Sons Ltd. All rights reserved. No part of this drawing may be reproduced without the permission of George Barnsdale & Son Ltd.

— Variable Dimensions
 — Fixed Dimensions

Title: DS16 - Bi-Fold Sliding Doorset Manufacturers Details		
Scale: As Shown	Date: 19/06/2014	Sheet No: 3
Drawn: LRP	Approved:	Rev: 0

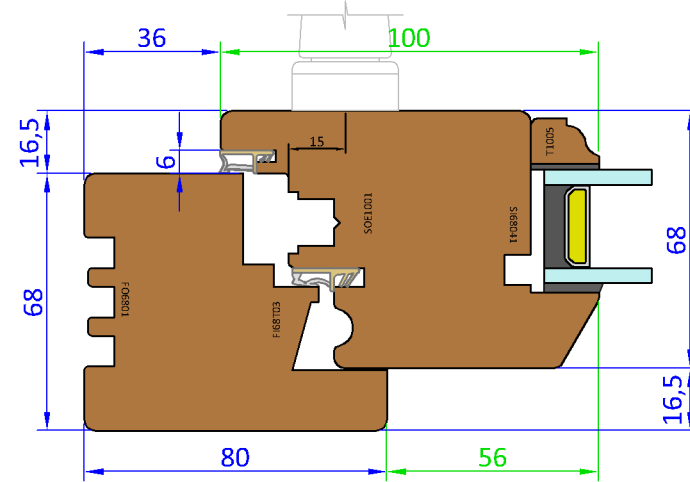
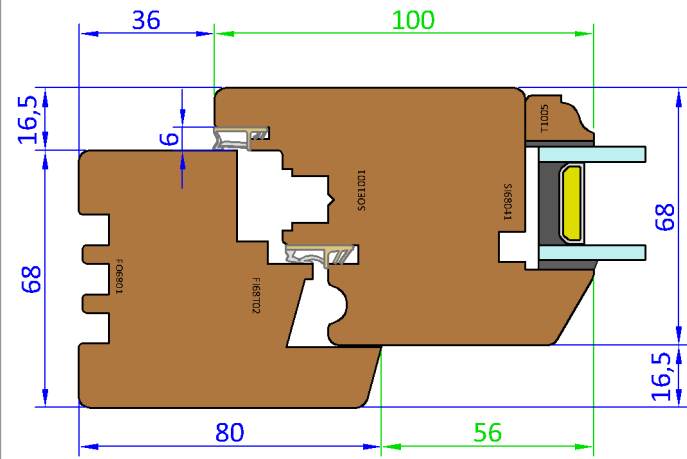
GEORGE BARNSDALE
 ESTABLISHED 1884

High Street, Donington, Spalding, Lincs, PE11 4TA.
 T: 01775 823000 F: 01775 823010
 enquiries@georgebarnsdale.co.uk
 www.georgebarnsdale.co.uk

FRAME AND SASH OPTIONS

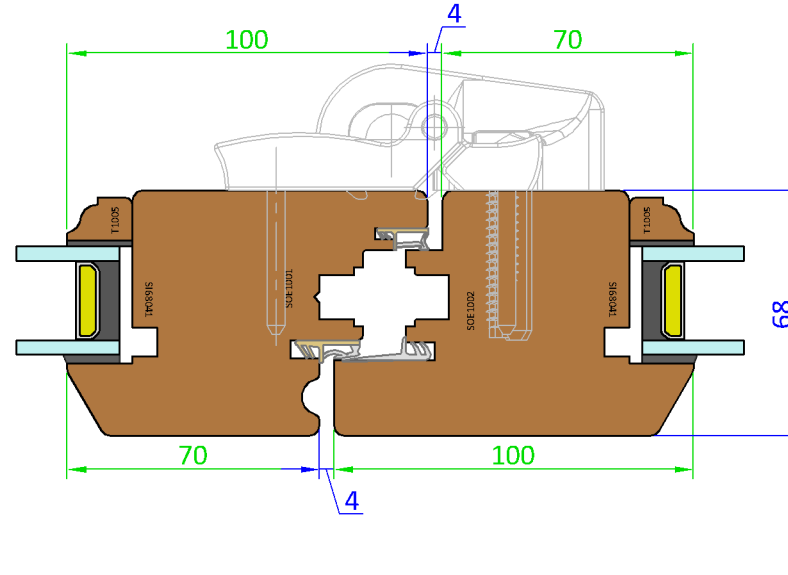
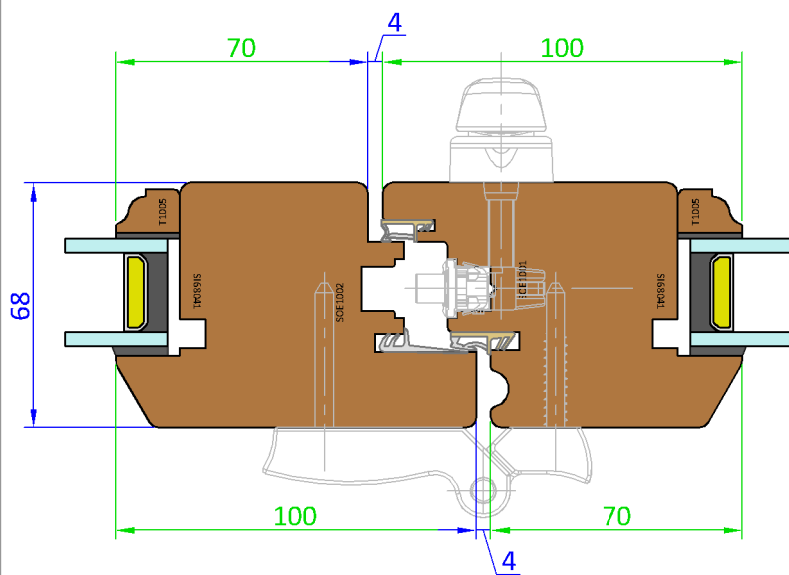
68mm Frame and 68mm Sash - Standard Profile

68mm Frame and 68mm Sash - Pencil Round Profile



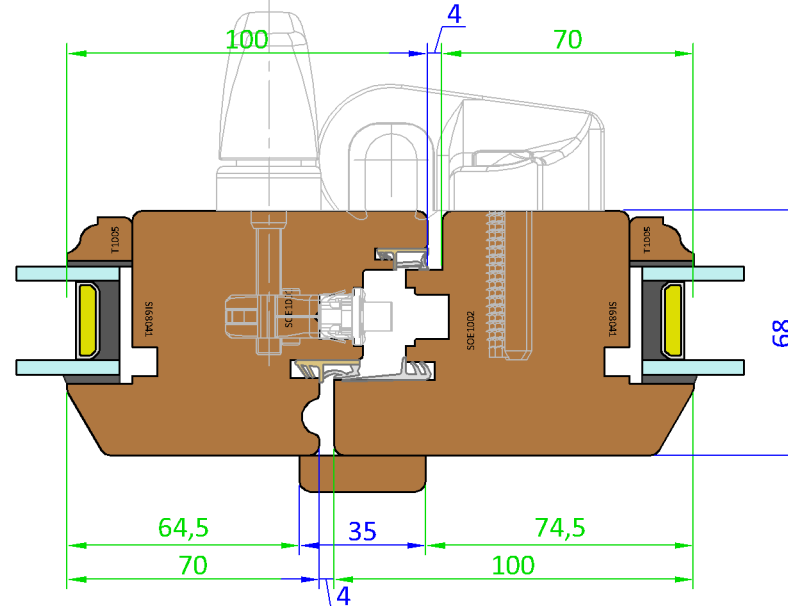
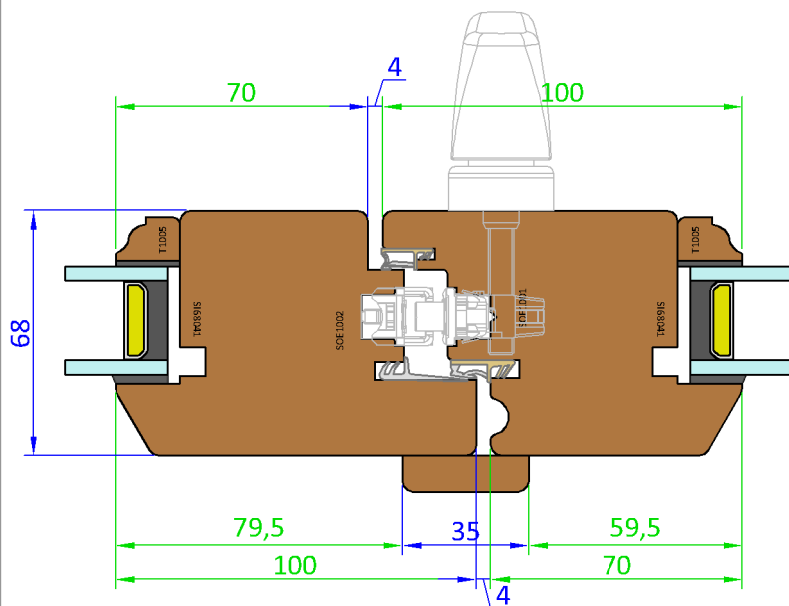
Meeting Rail Type B

Meeting Rail Type C



Meeting Rail Type C

Meeting Rail Type E



———— Variable Dimensions
 ——— Fixed Dimensions

Title: DS16 - Bi-Fold Sliding Doorset Manufacturers Details		
Scale: As Shown	Date: 19/06/2014	Sheet No: 4
Drawn: LRP	Approved:	Rev: 0

GEORGE BARNSDALE
 ESTABLISHED 1884

High Street, Donington, Spalding, Lincs, PE11 4TA.
 T: 01775 823000 F: 01775 823010
 enquiries@georgebarnsdale.co.uk
 www.georgebarnsdale.co.uk

Tolerances: All tolerances are to George Barnsdale Standard Tolerance definitions (see supporting document for more detail) unless stated on the drawing.
 © George Barnsdale & Sons Ltd. All rights reserved. No part of this drawing may be reproduced without the permission of George Barnsdale & Son Ltd.